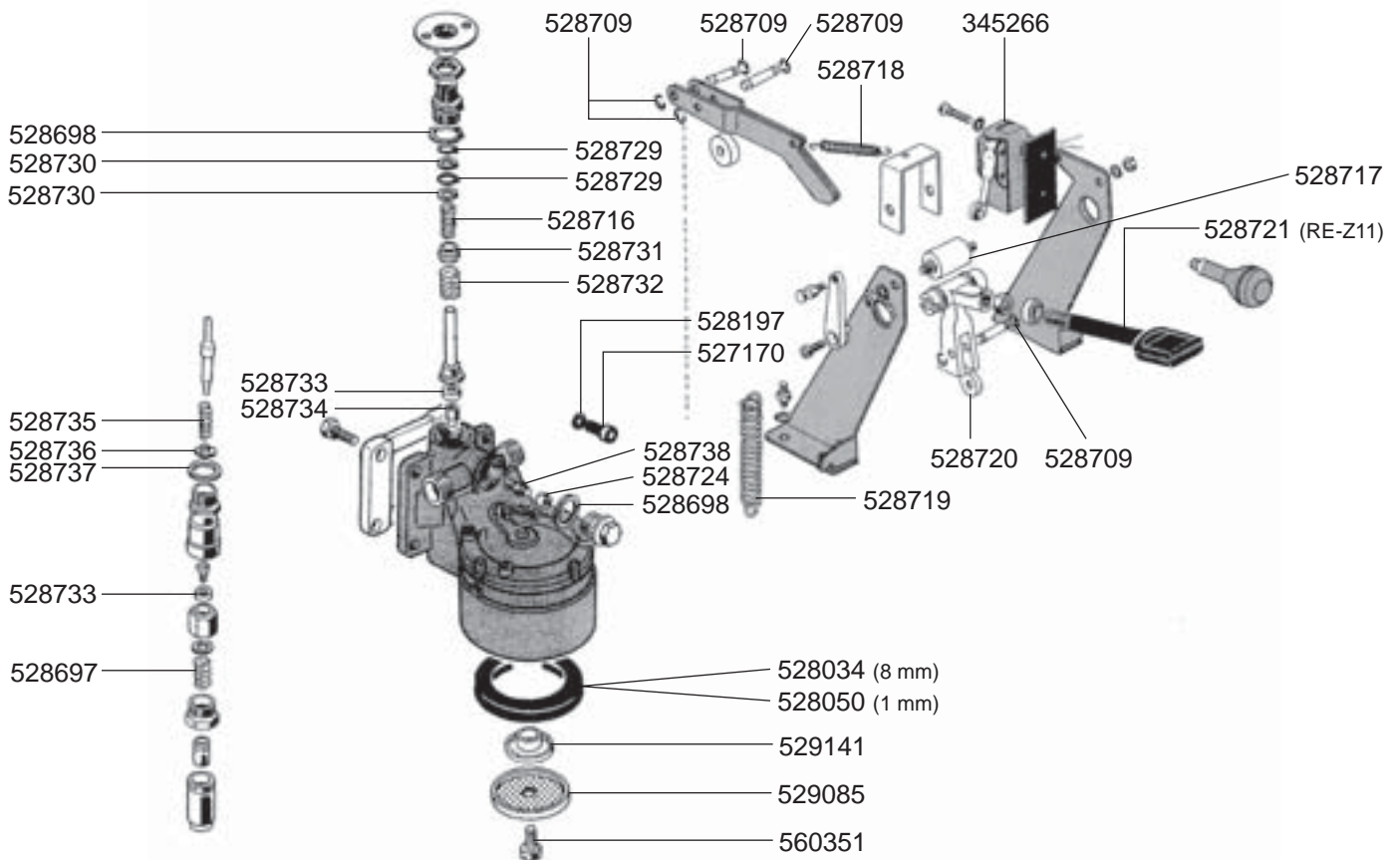
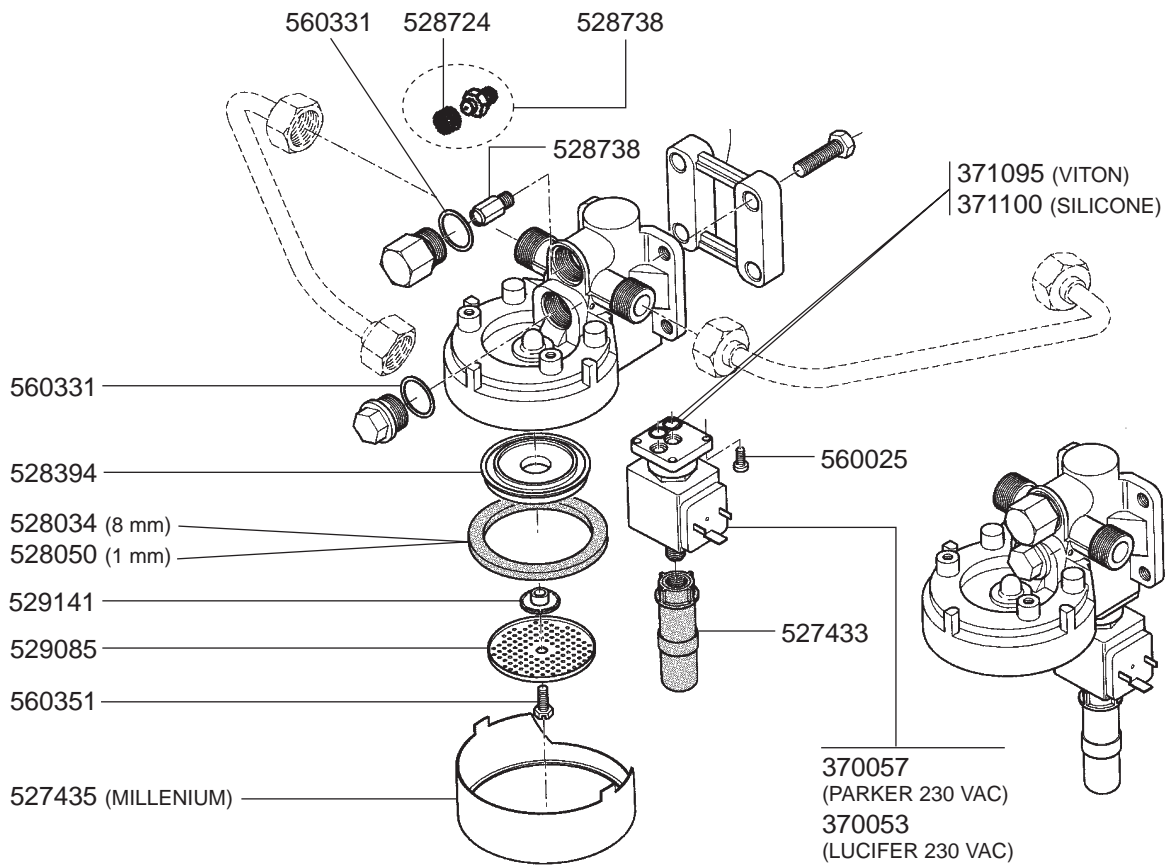
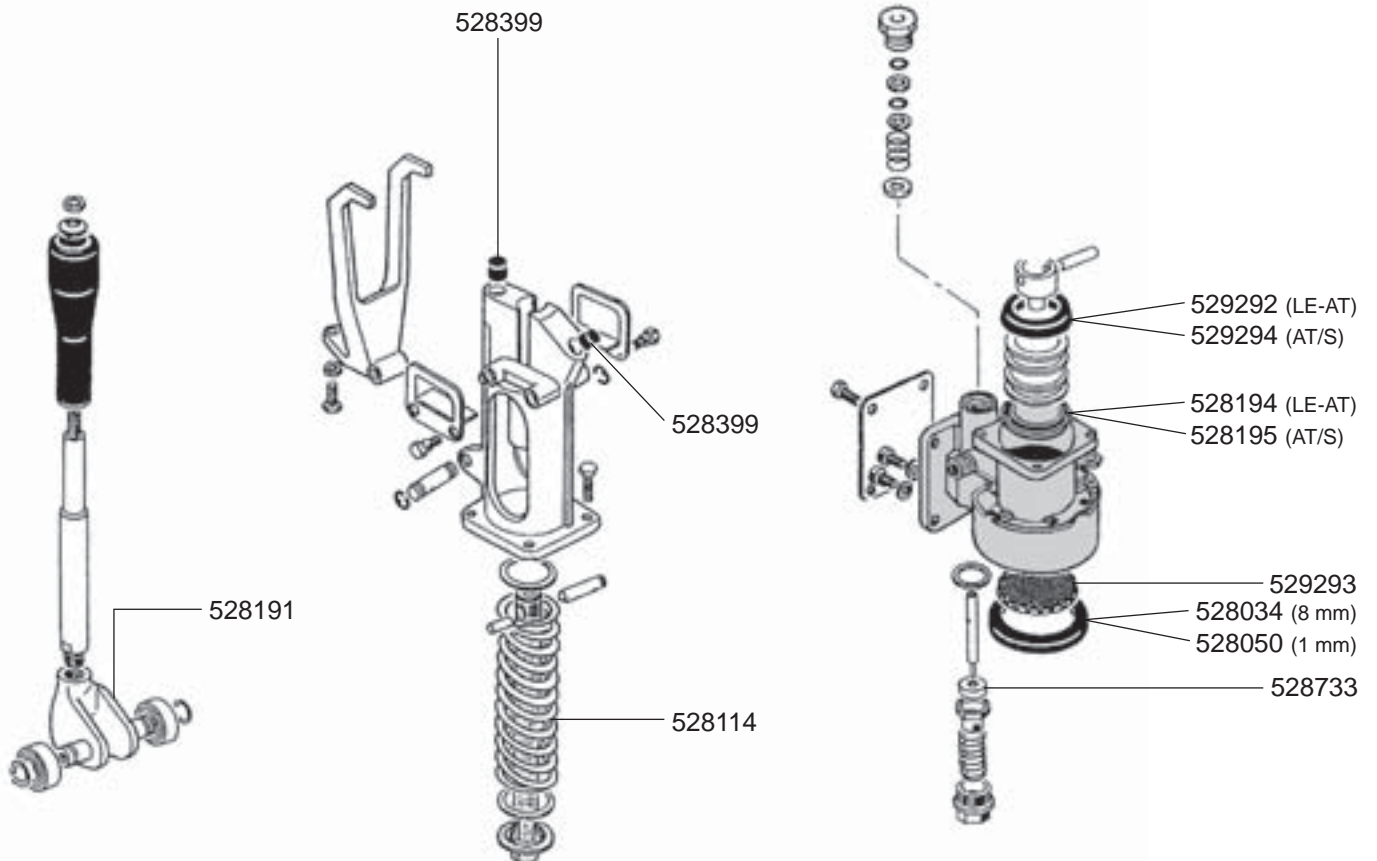
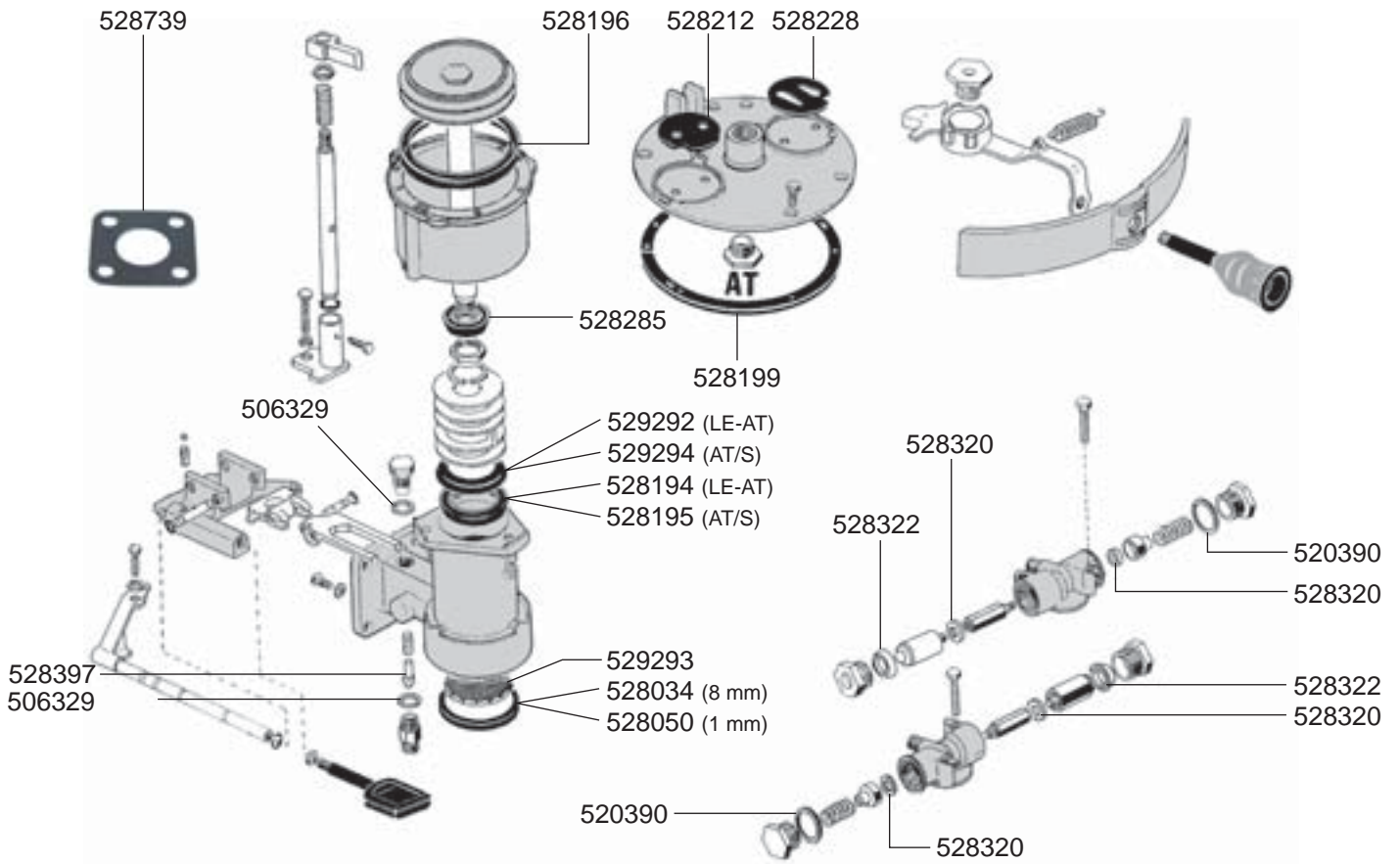


## GROUPS



## GROUP



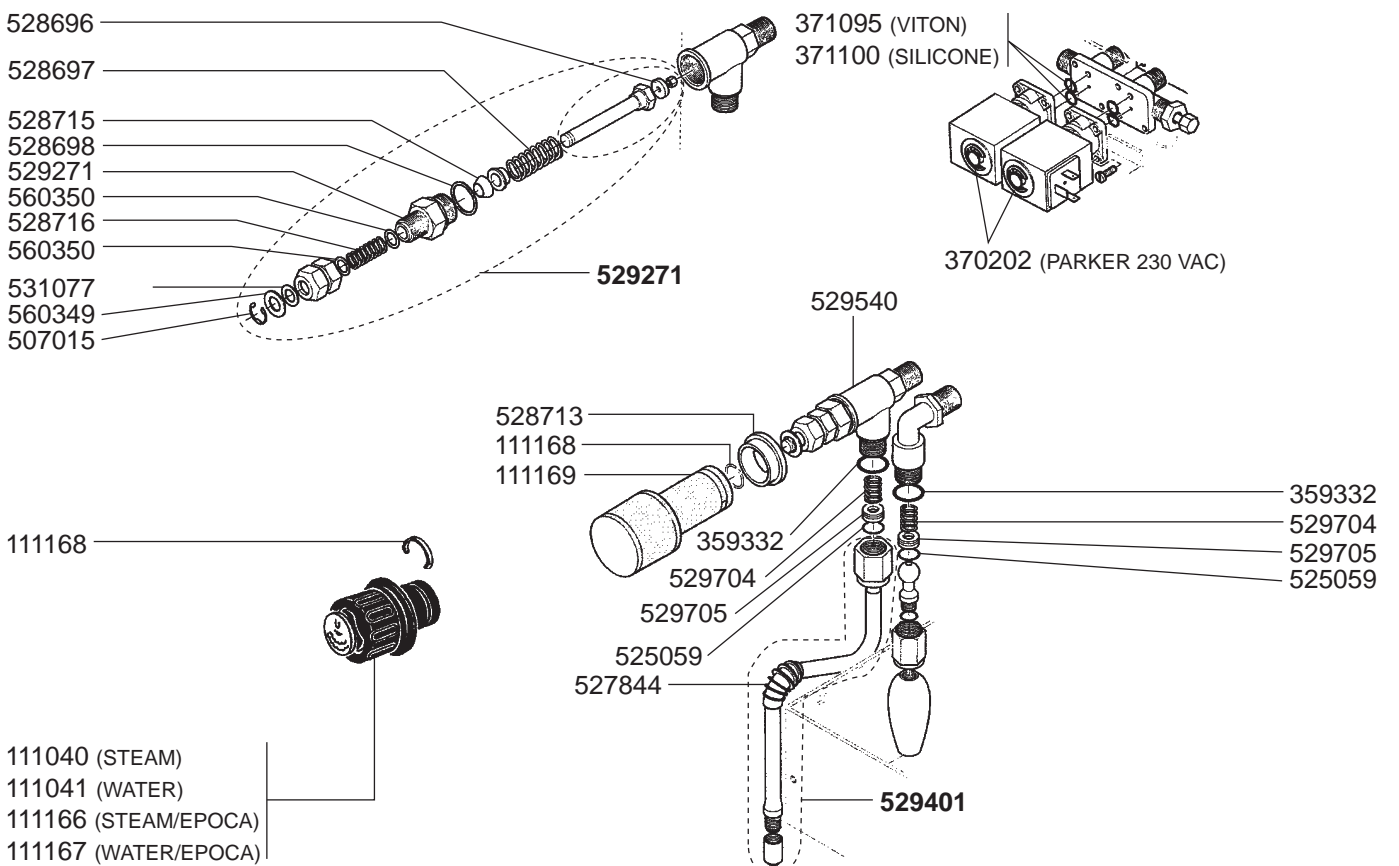
# RANCILIO – ESPRESSO MACHINES

1  
ESPRESSO MACHINES

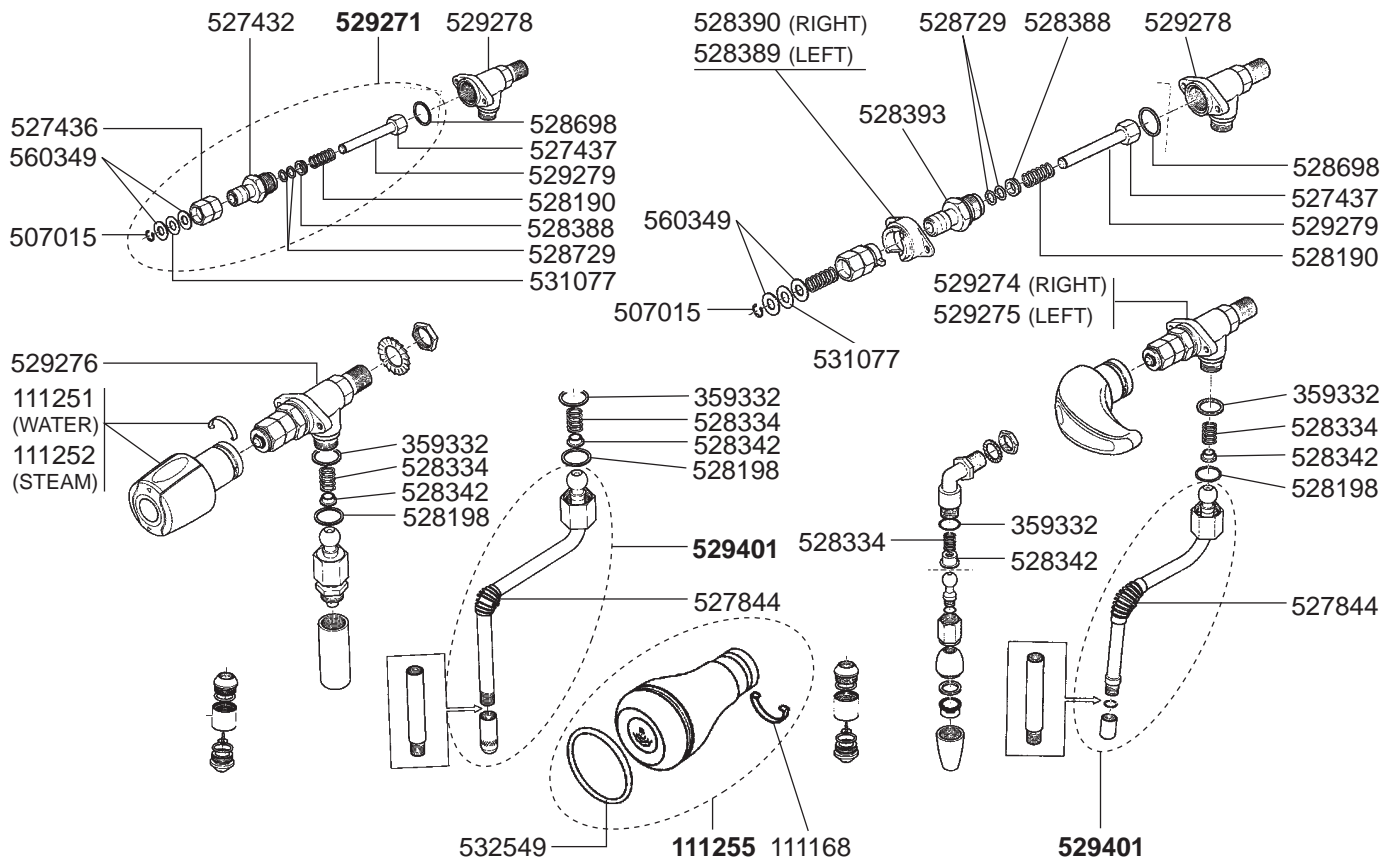
## FILTER HOLDERS



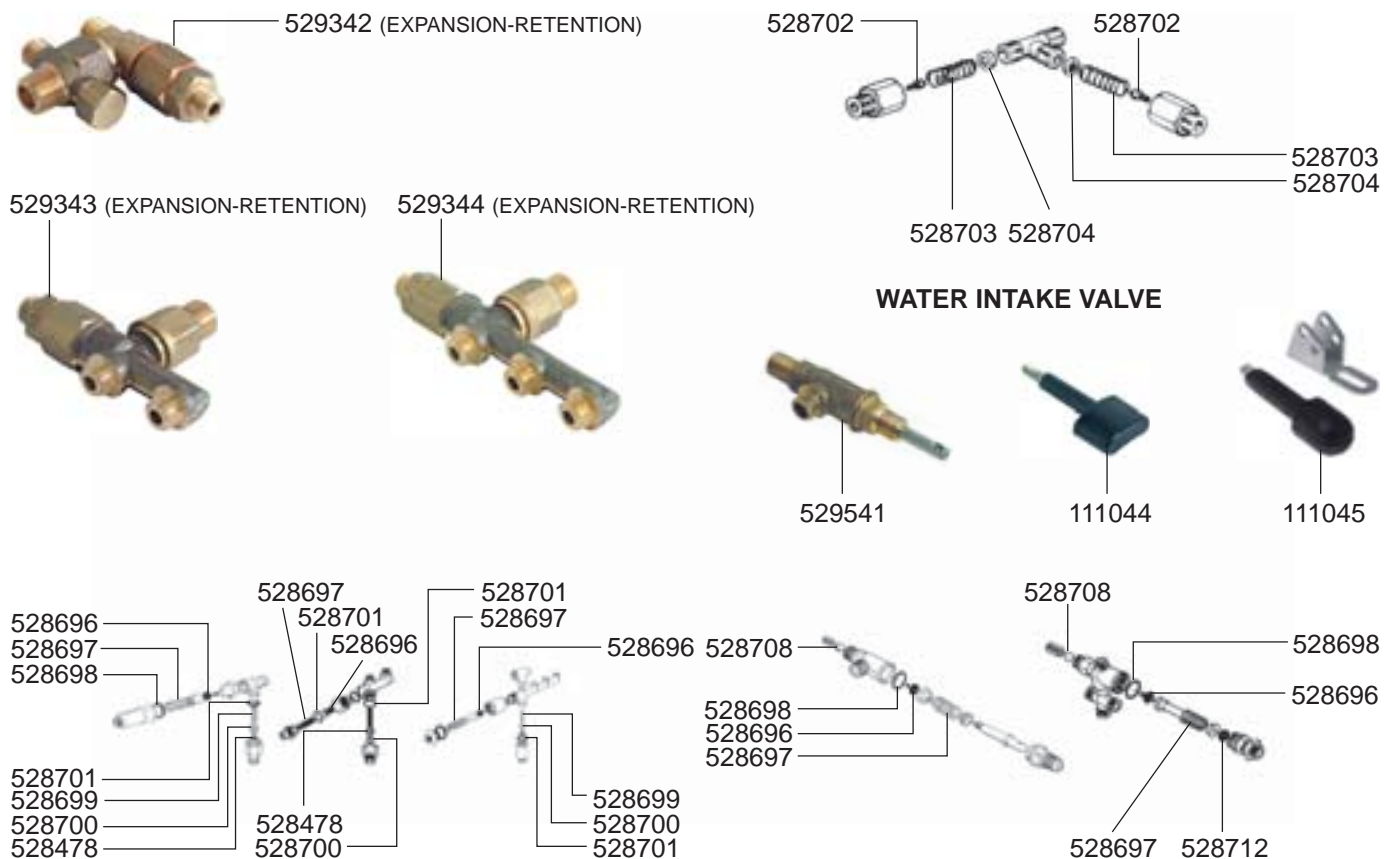
## STEAM/WATER TAPS



## STEAM/WATER TAPS



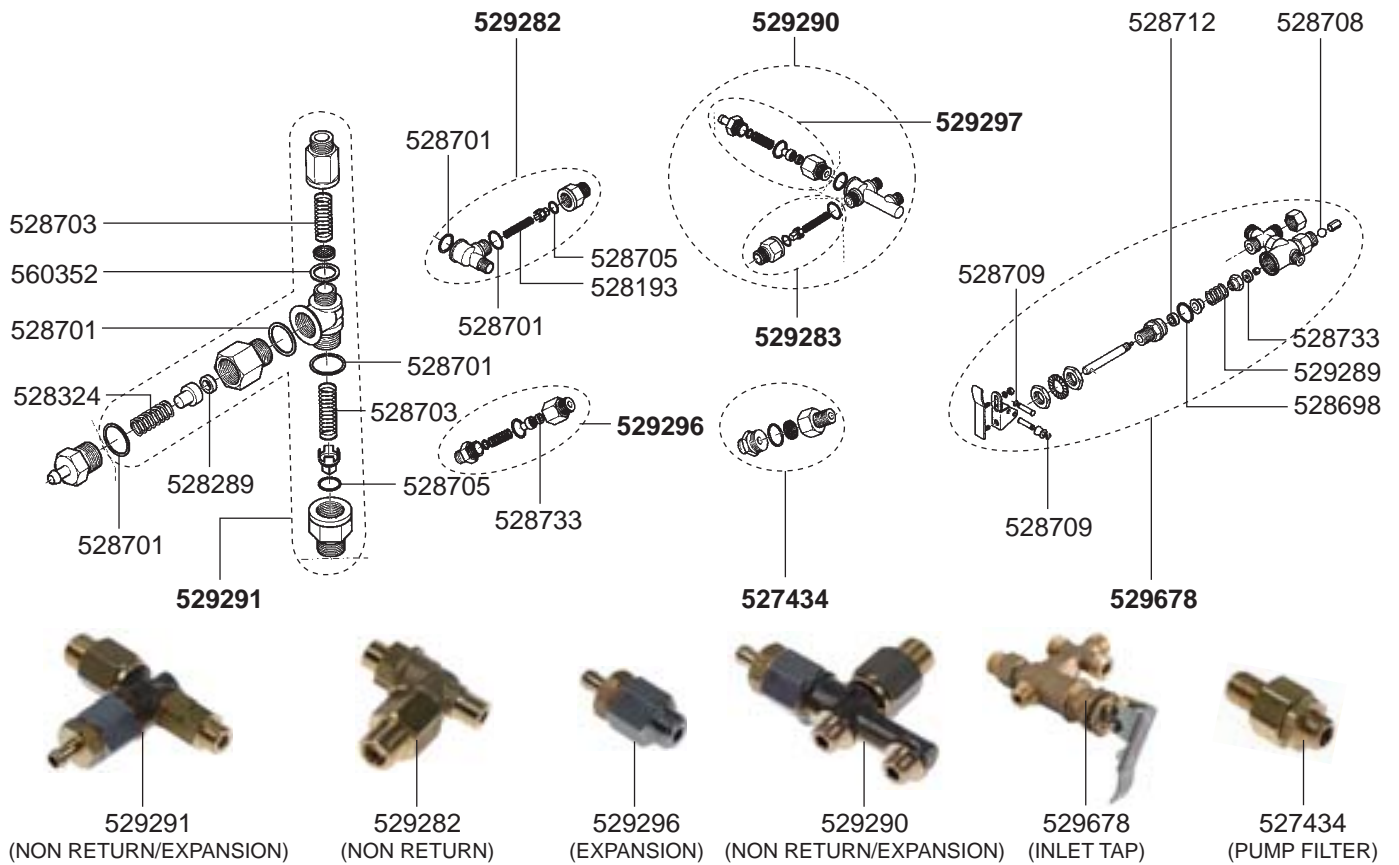
## OLD VALVES



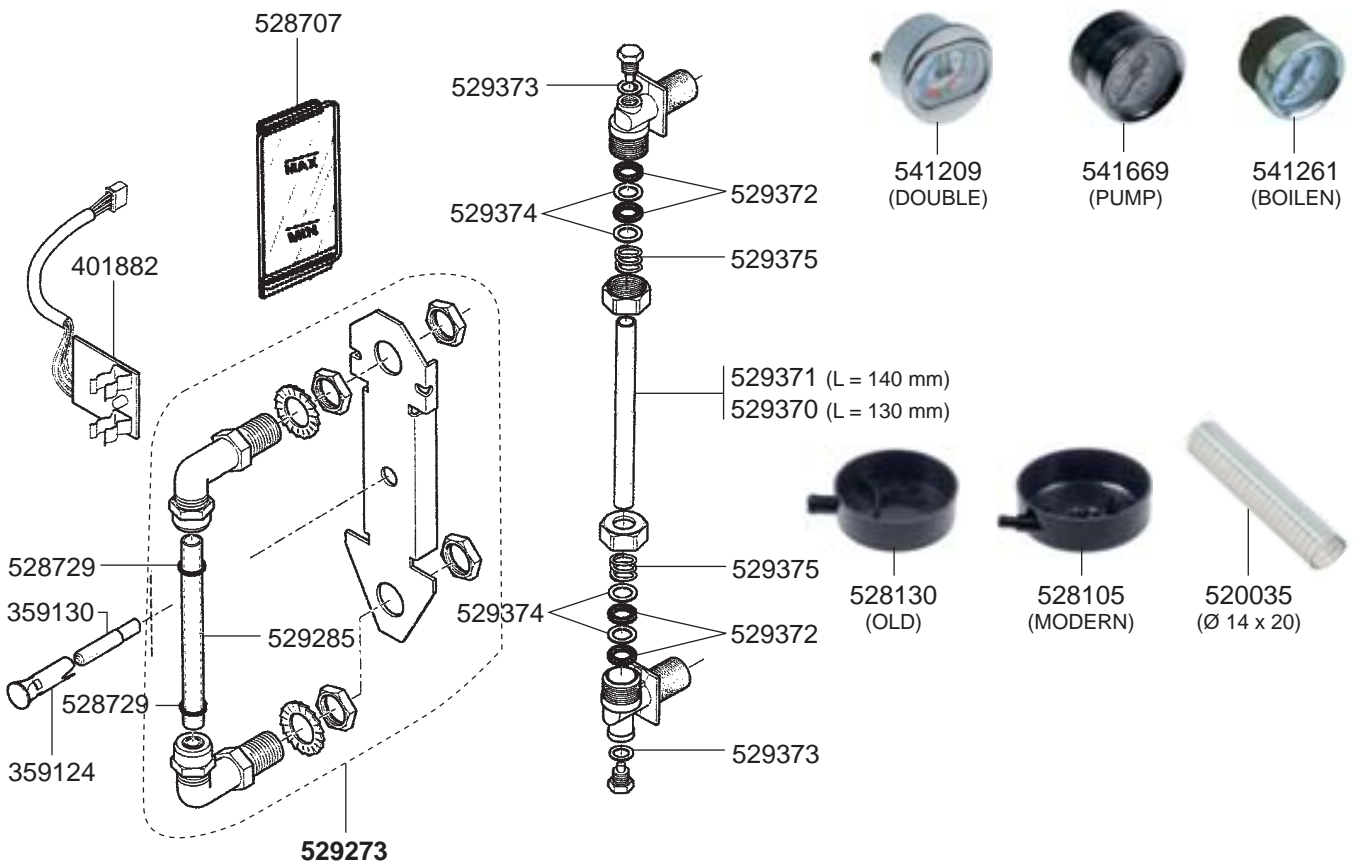
# RANCILIO – ESPRESSO MACHINES

1  
ESPRESSO MACHINES

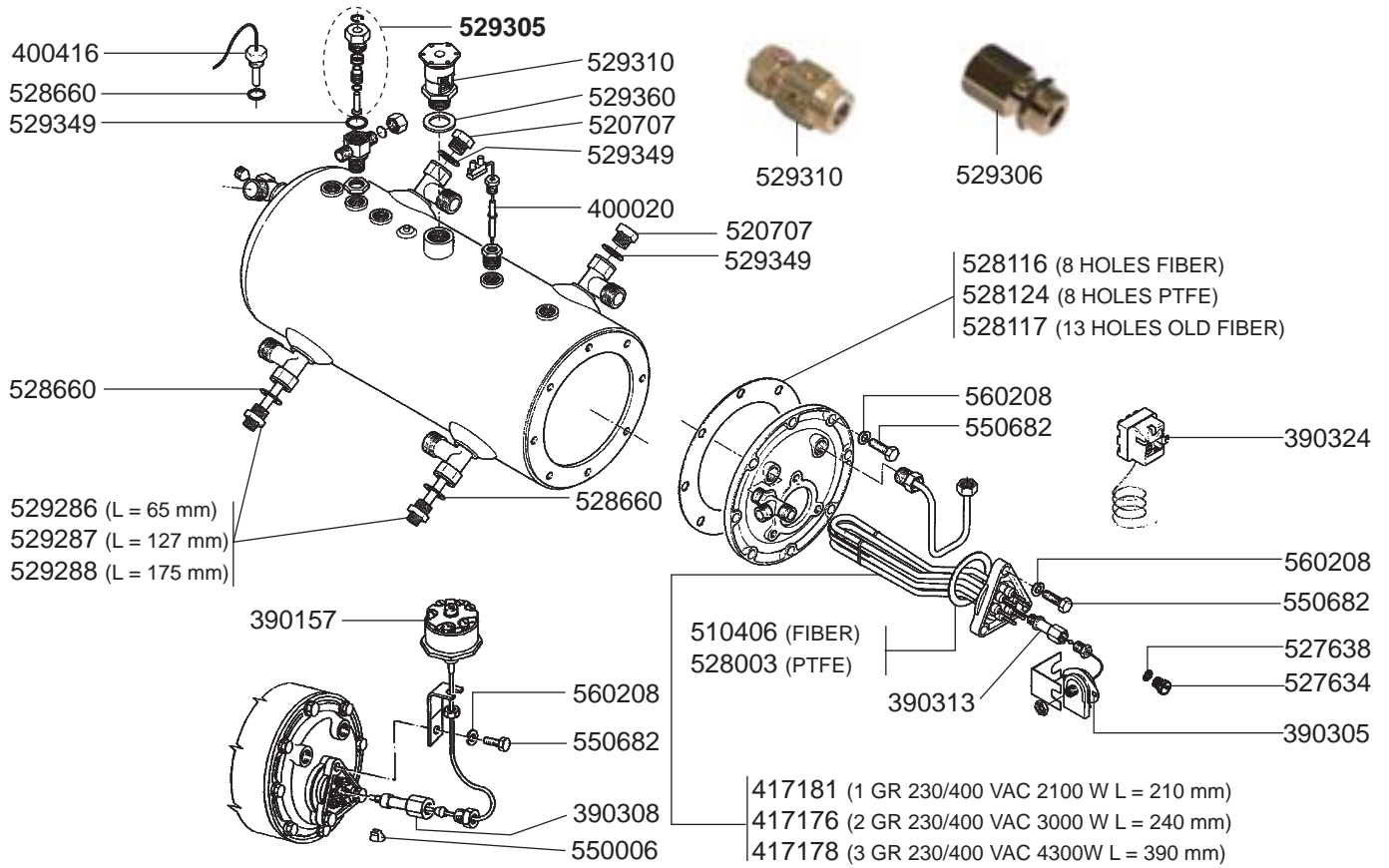
## VALVES



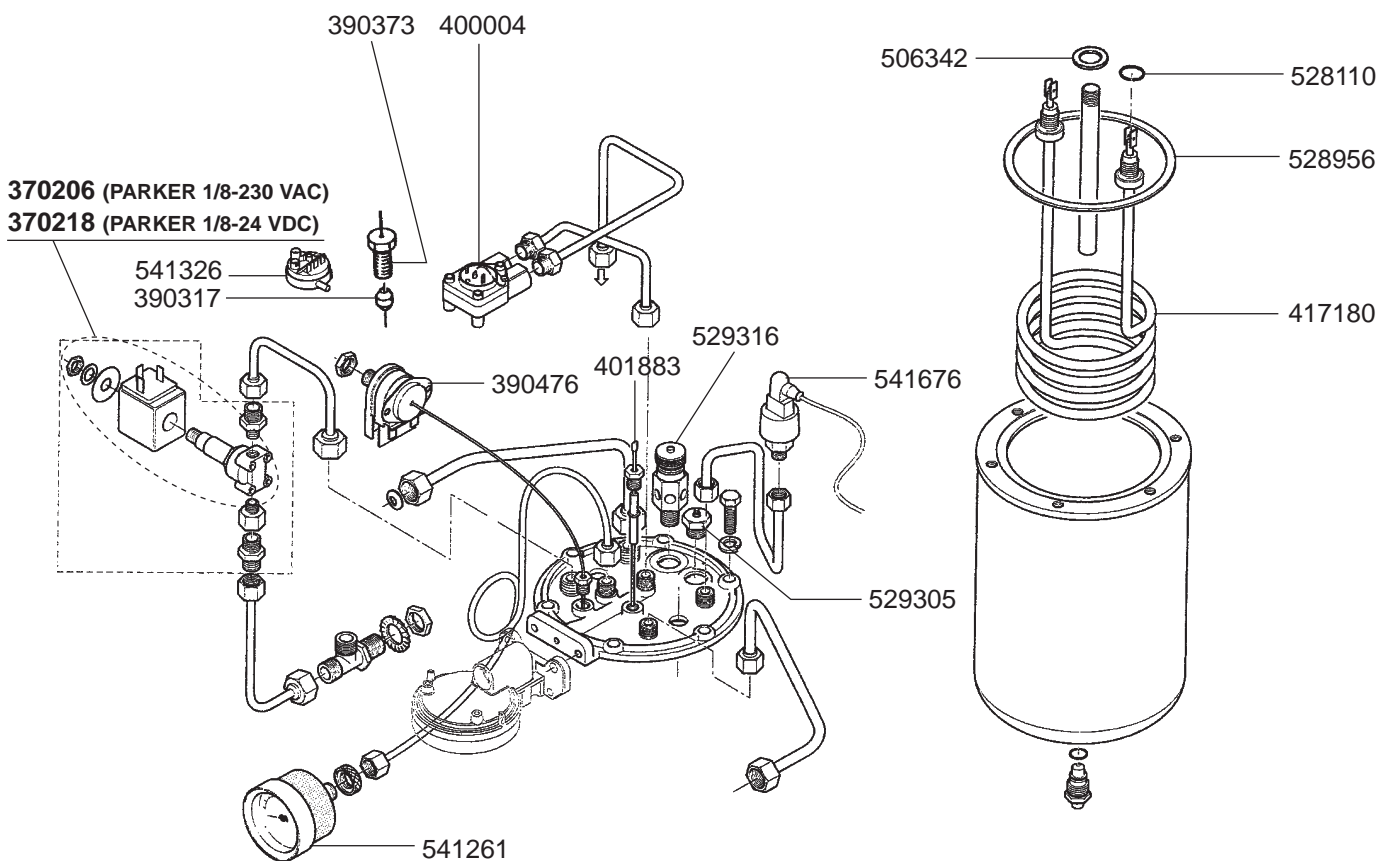
## LEVEL INDICATOR/MANOMETERS/DRIP TRAYS



## BOILER

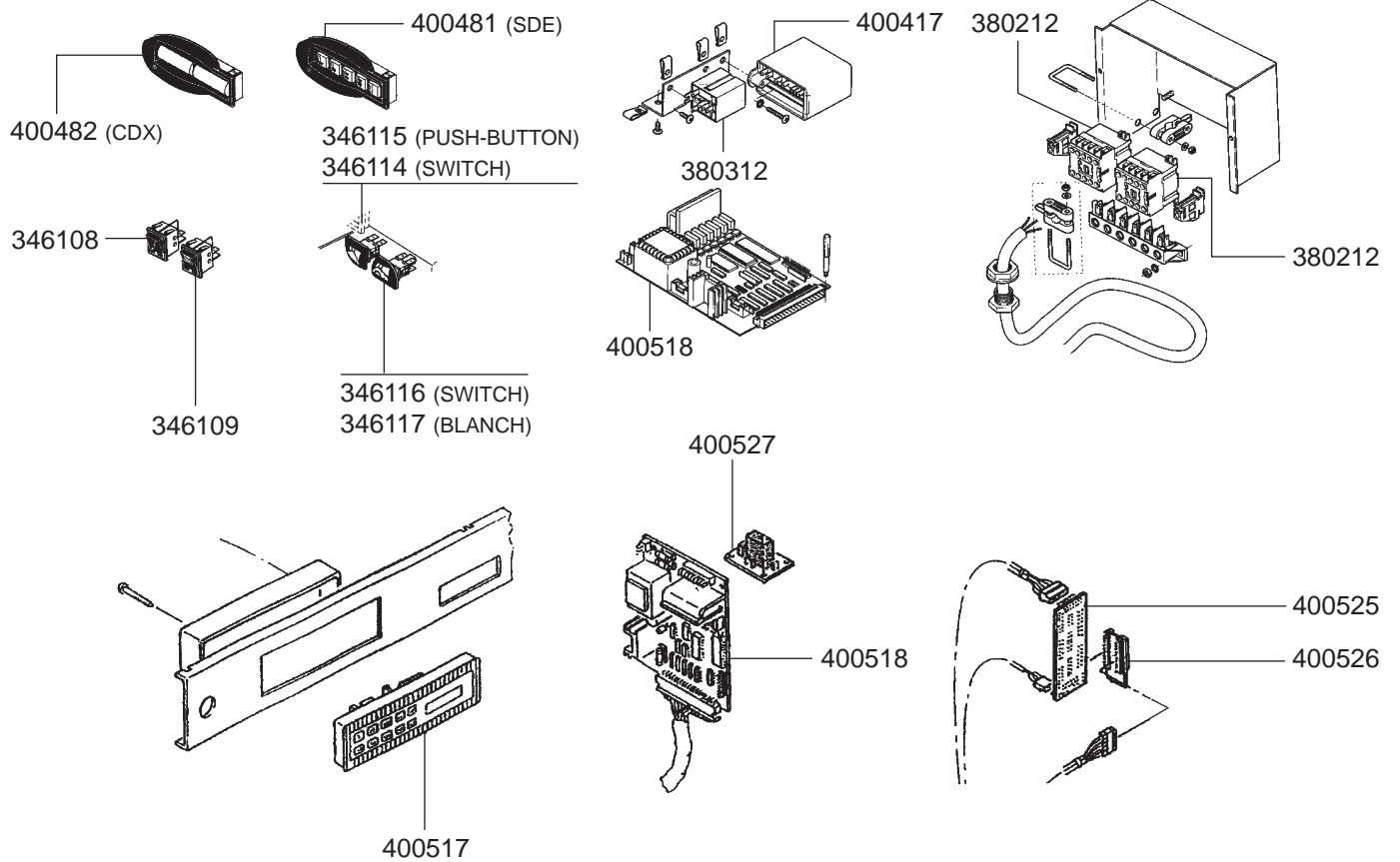


## BOILER

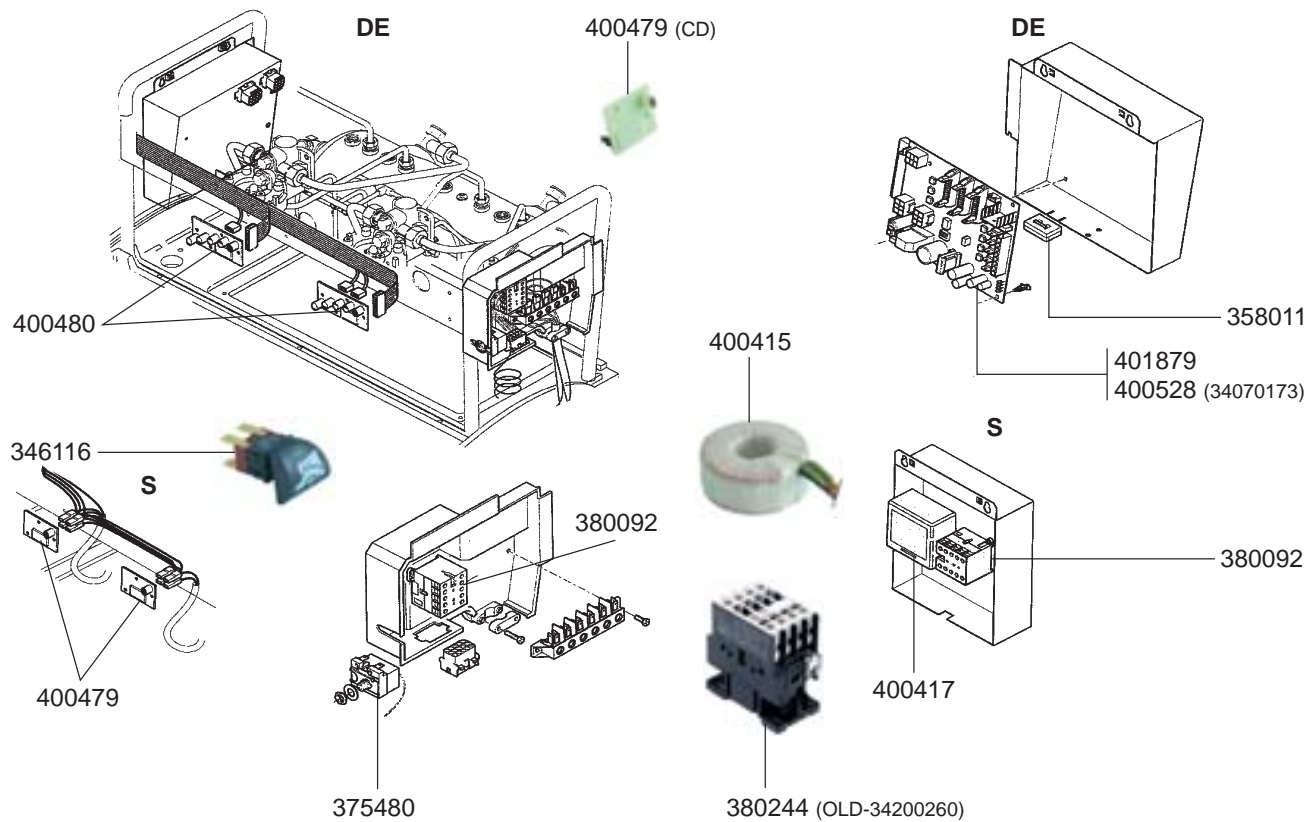




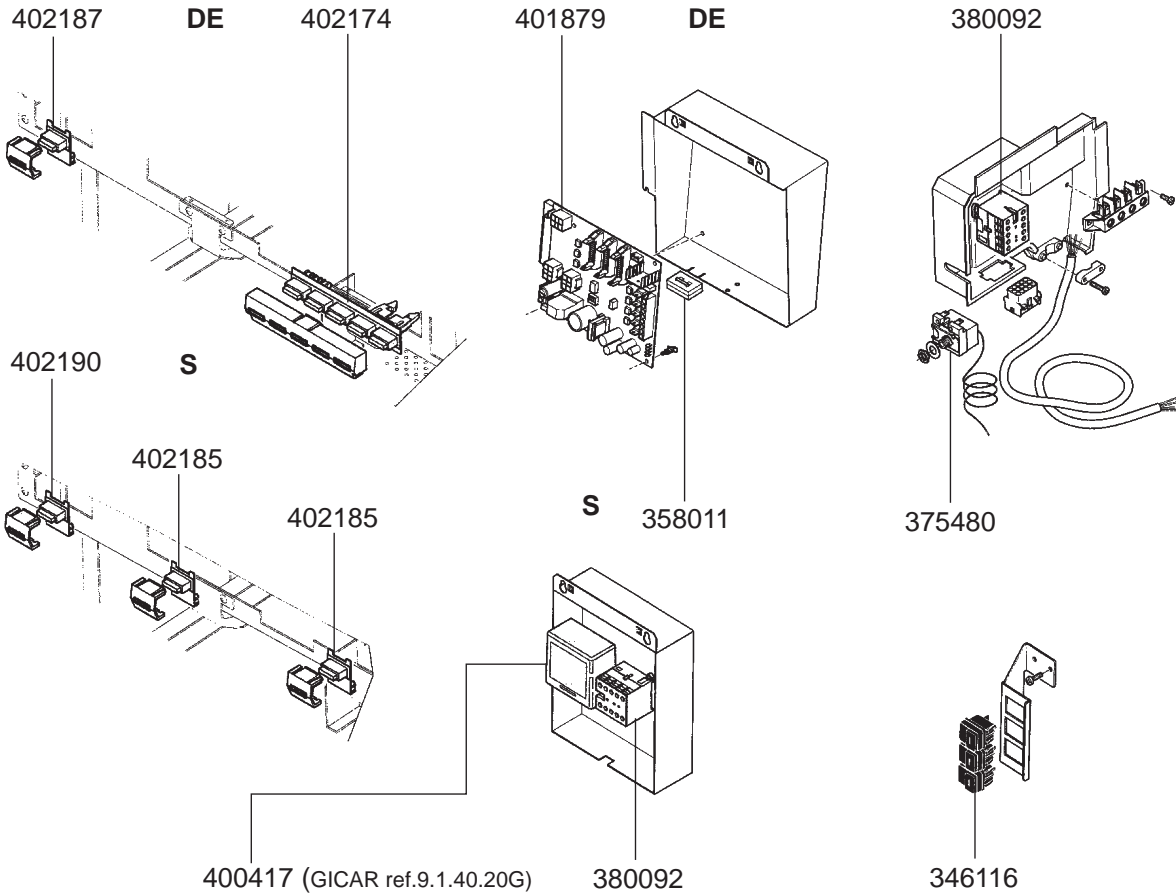
## ELECTRICAL COMPONENTS MILLENIUM



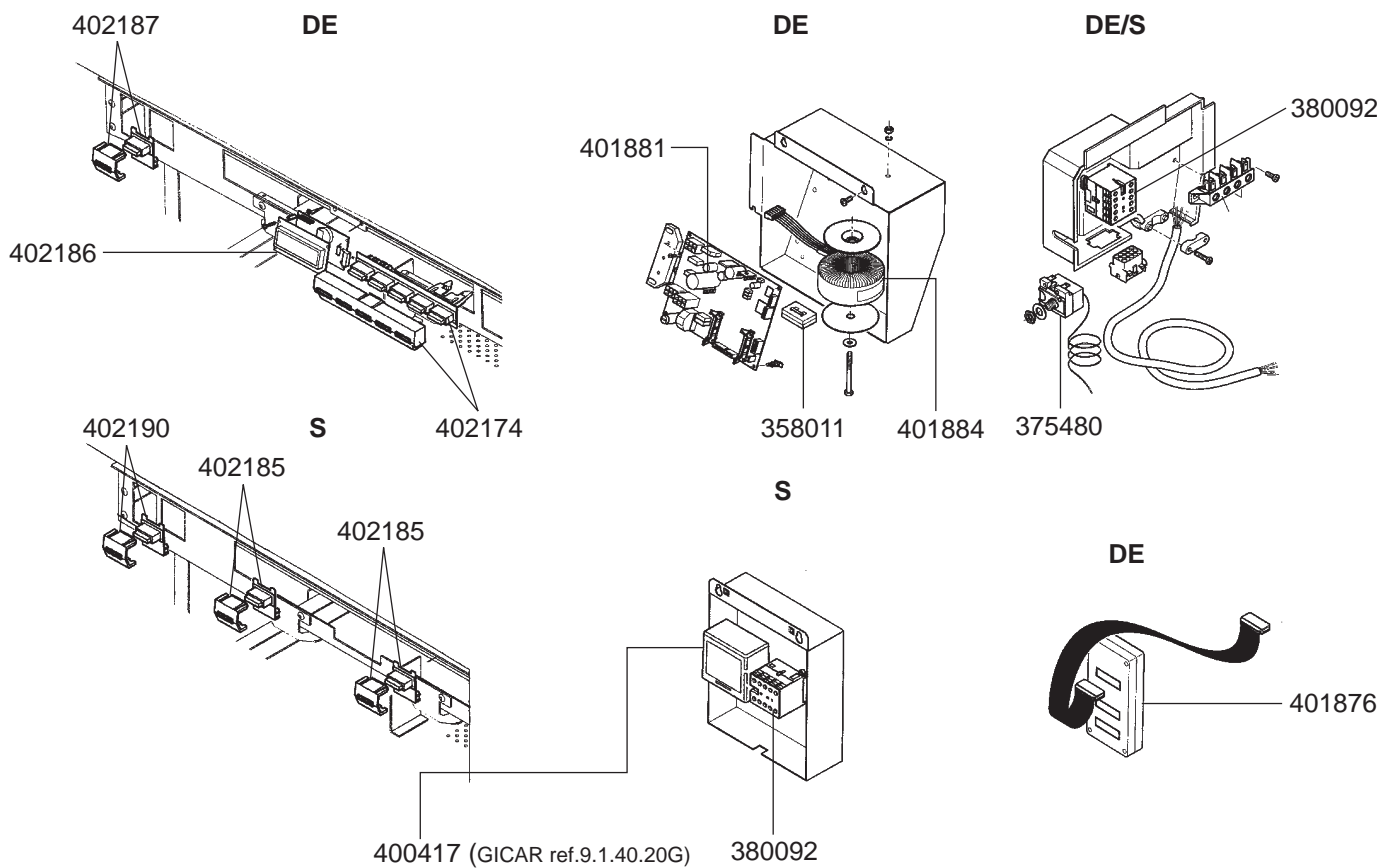
## ELECTRICAL COMPONENTS EPOCA



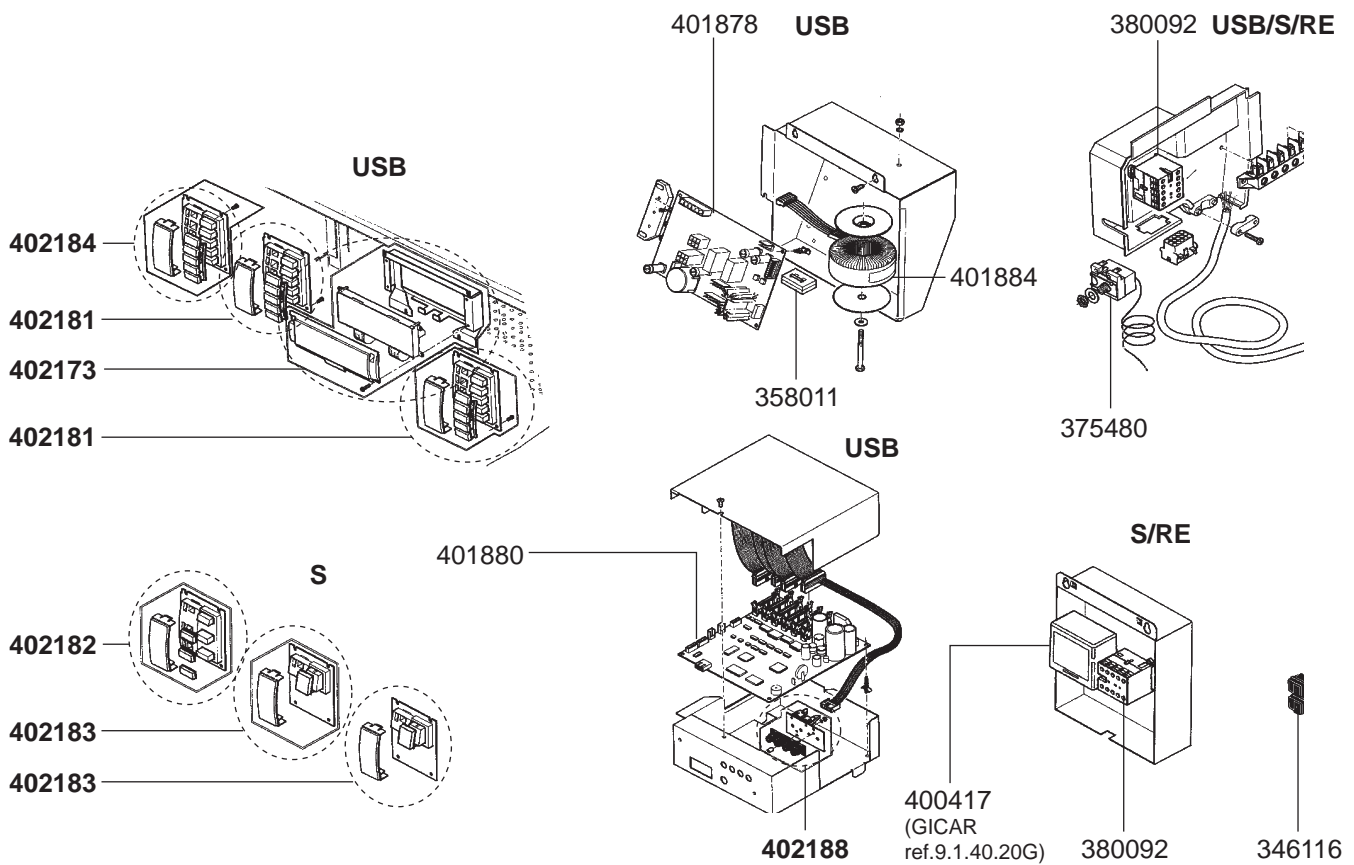
## ELECTRICAL COMPONENTS CLASSE 6



## ELECTRICAL COMPONENTS CLASSE 8



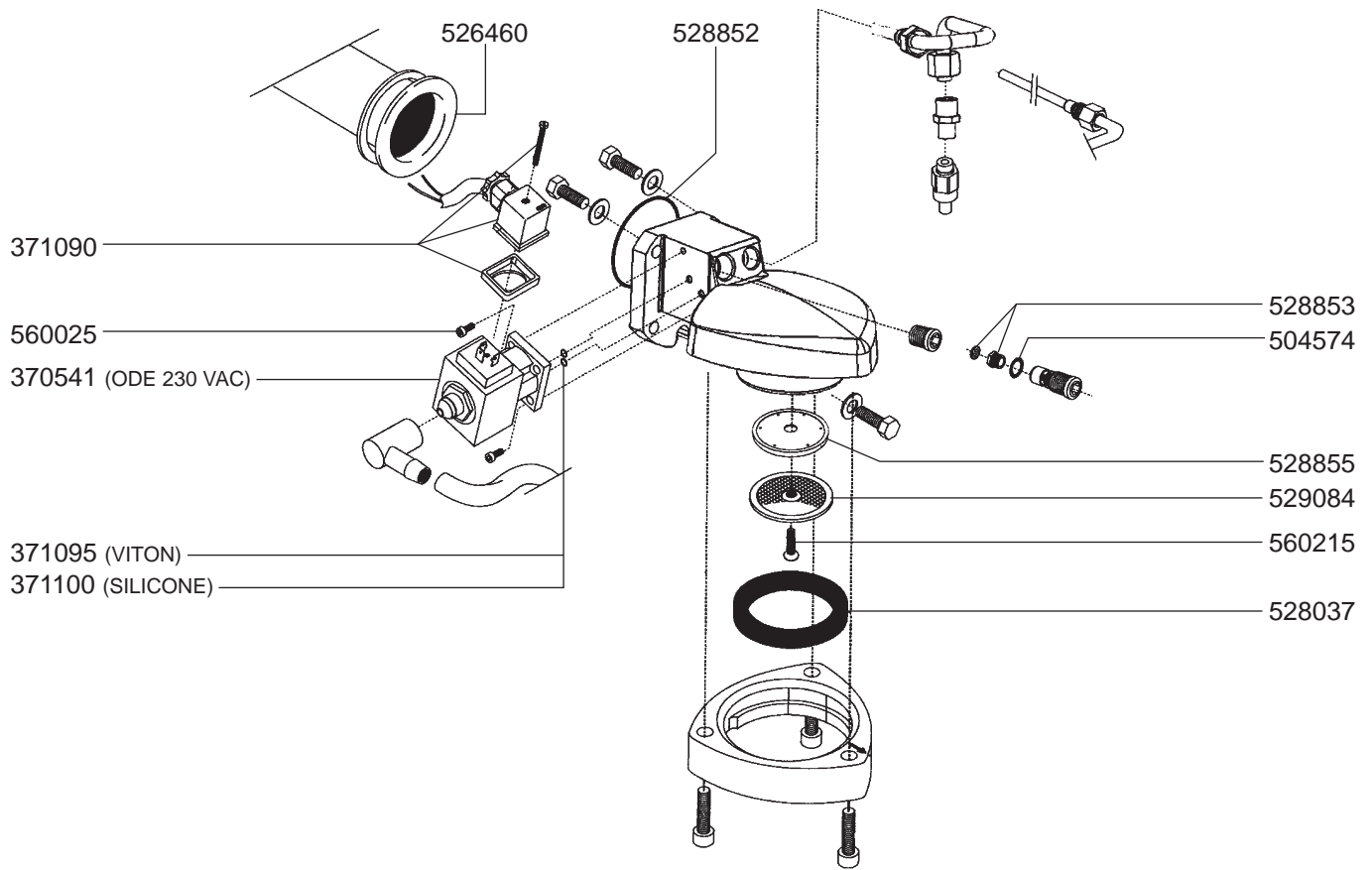
## ELECTRICAL COMPONENTS CLASSE 10



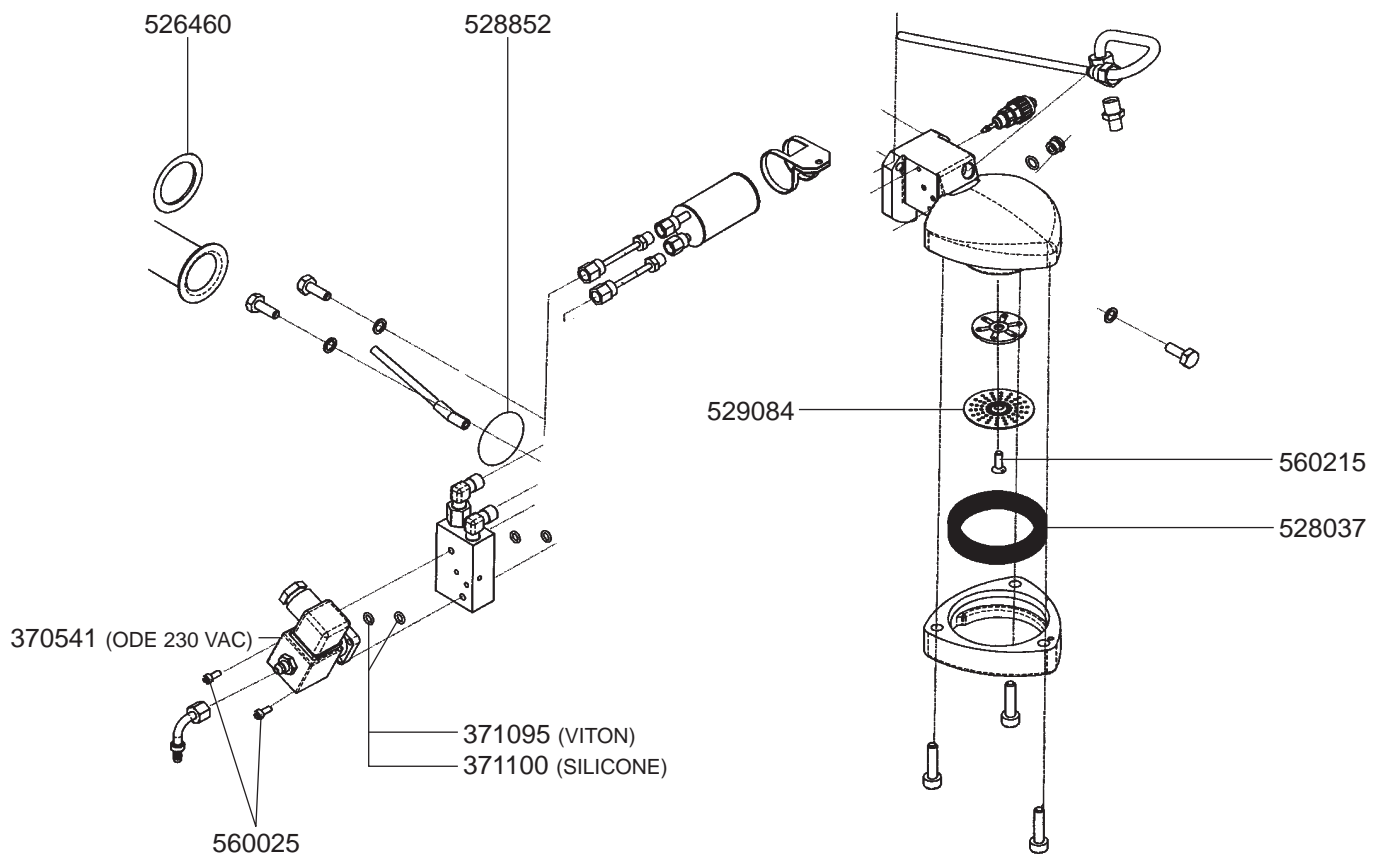
## ELECTRICAL COMPONENTS VARIOUS



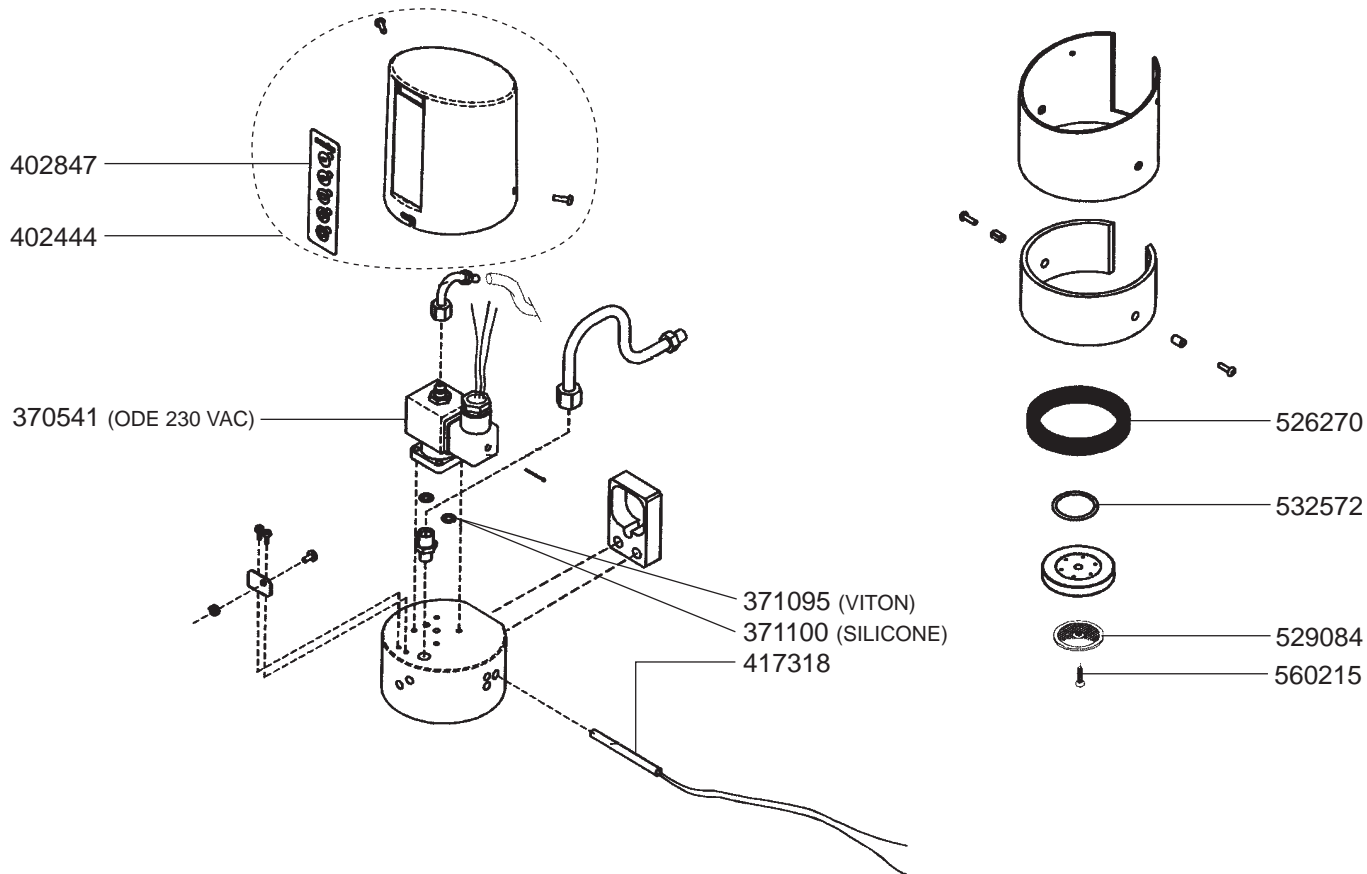
## GROUP VIVA E/VIVA S/LC/XL PALLAS



## GROUP VIVA S (GID 2008)/STREAMLINE



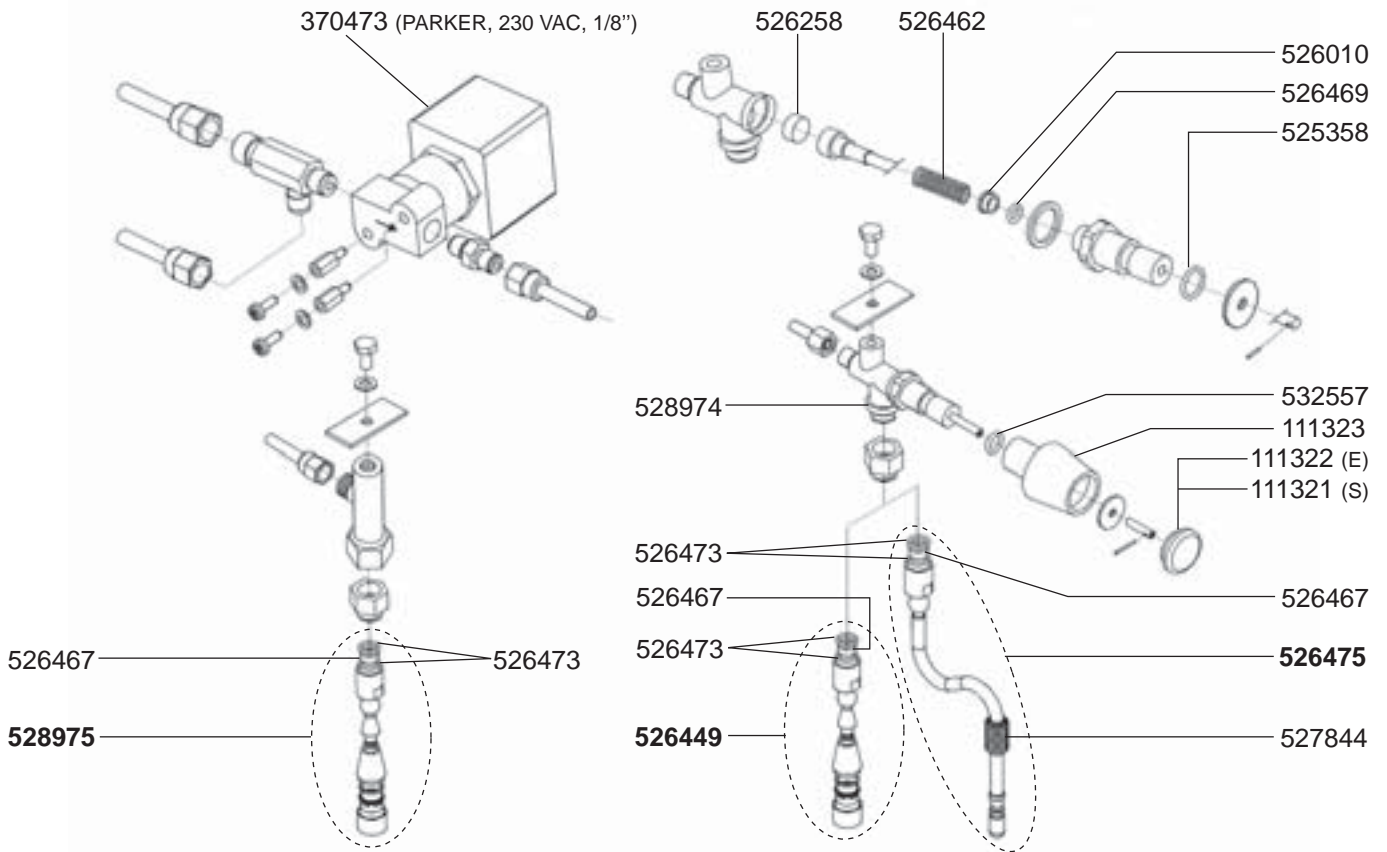
GROUP MOSAIC



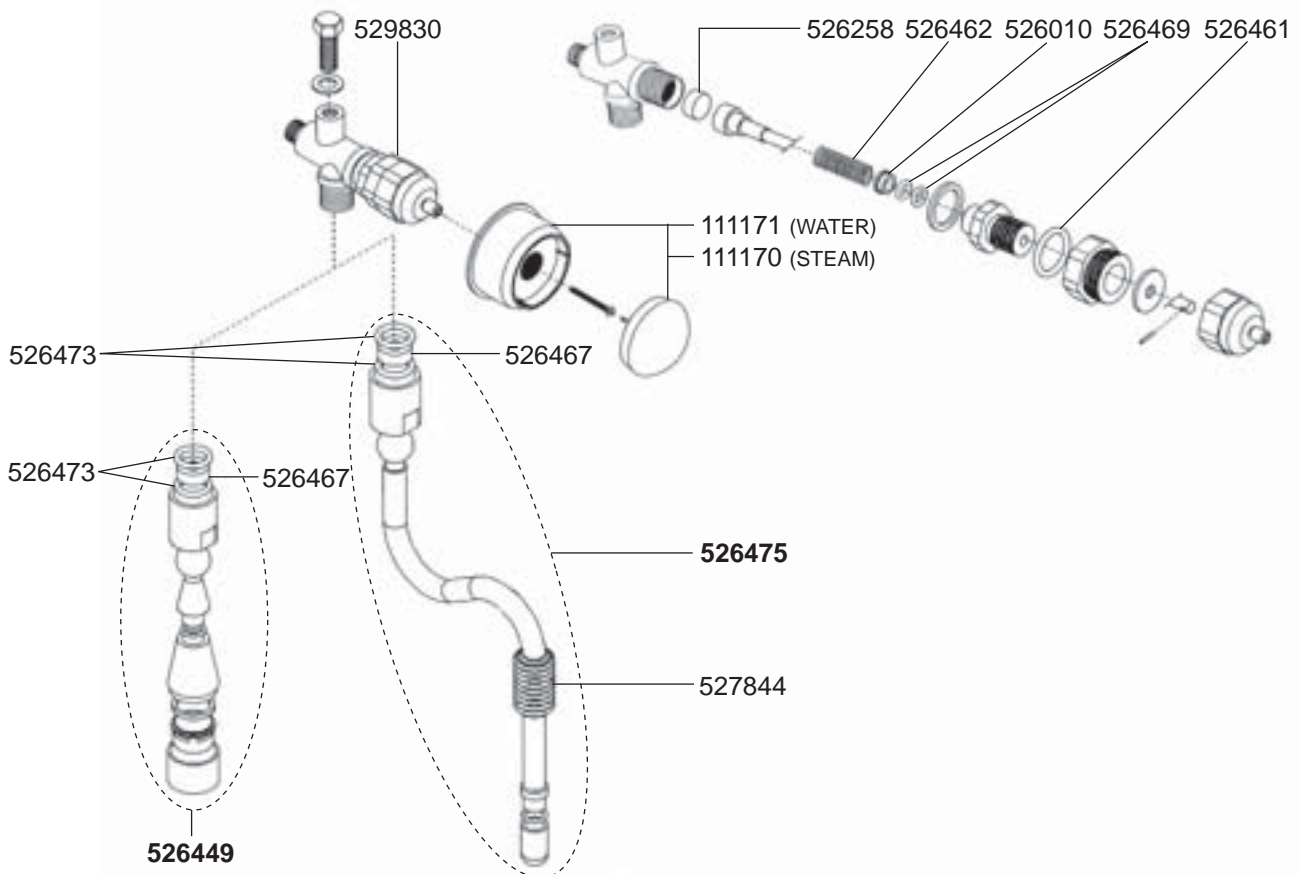
FILTER HOLDERS



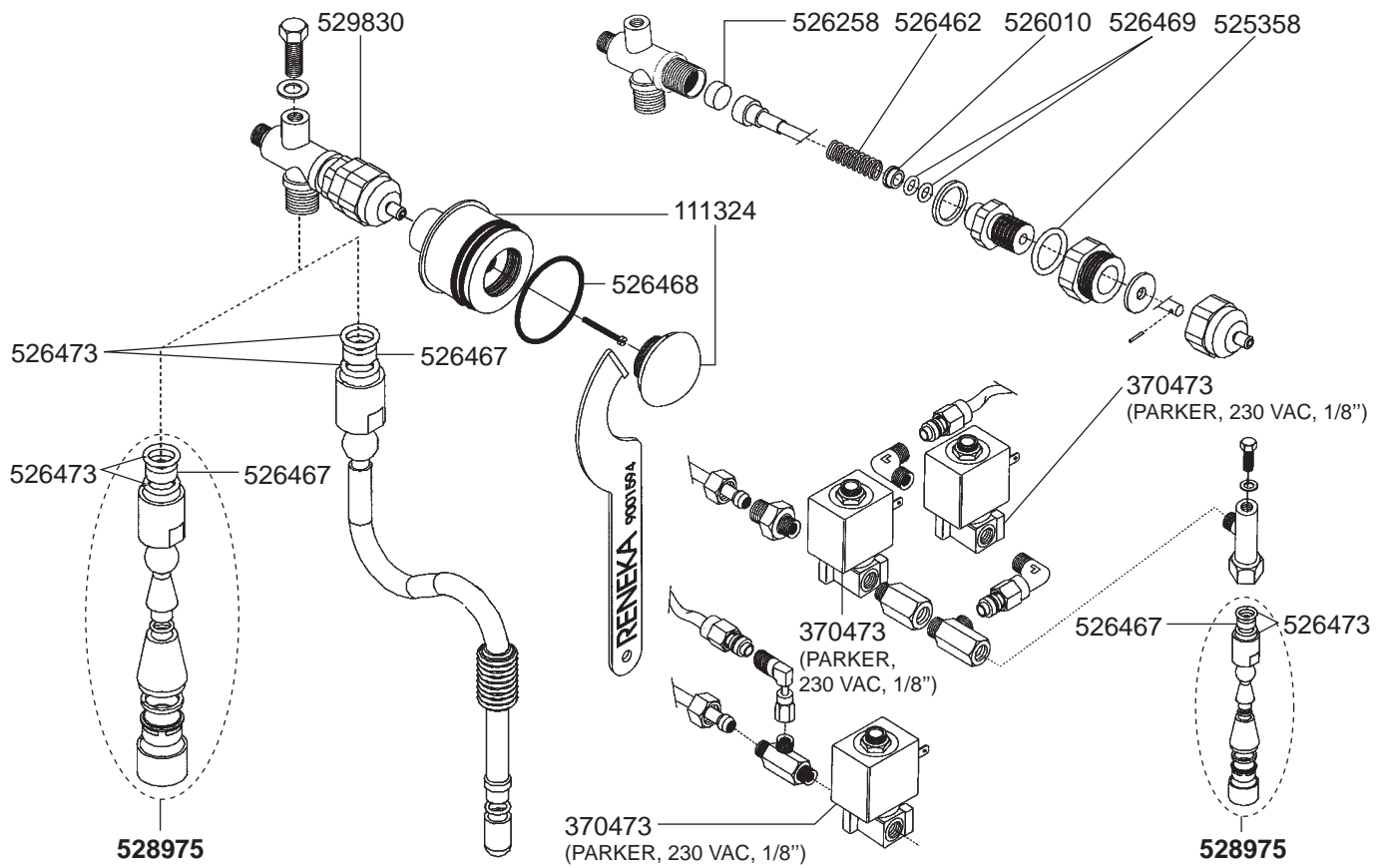
## STEAM/WATER TAPS VIVA E/S



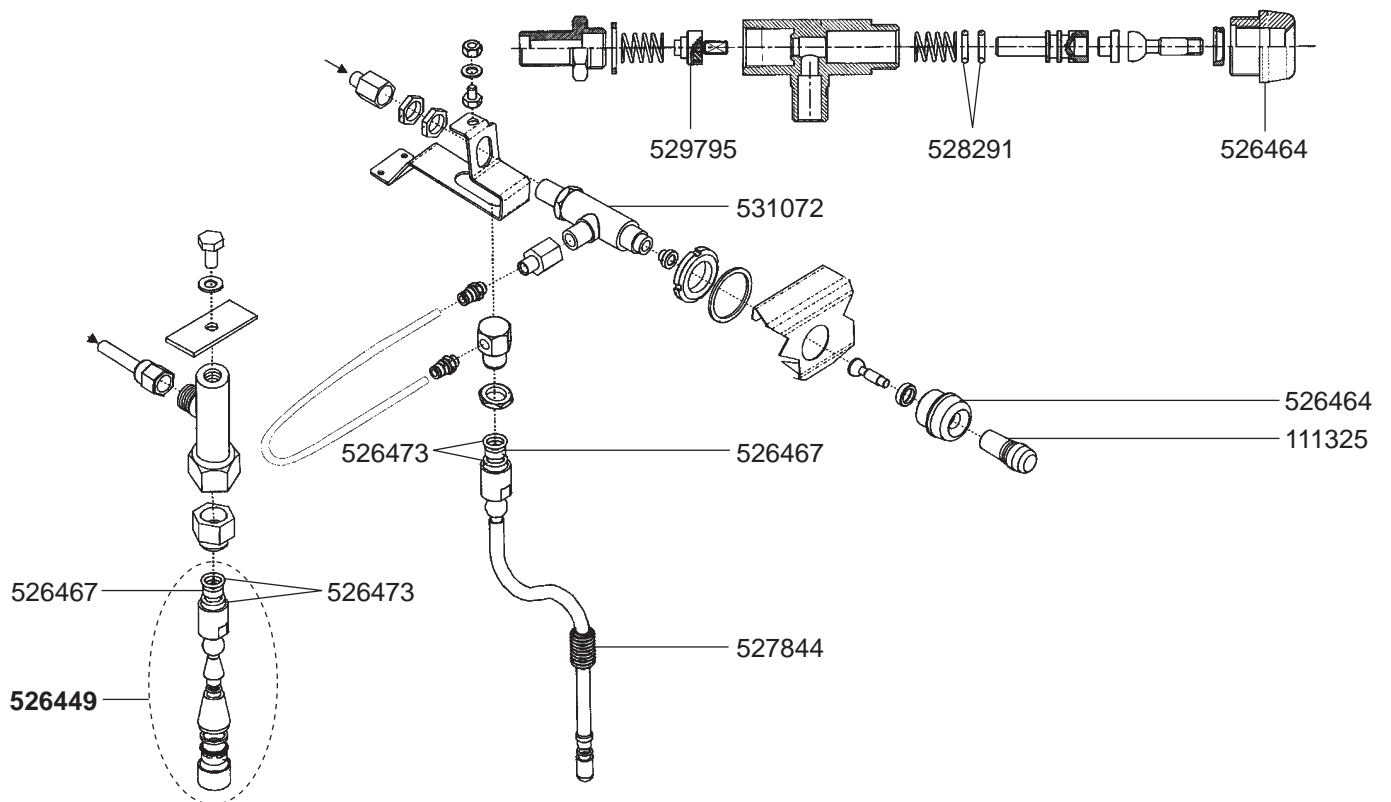
## STEAM/WATER TAPS LC



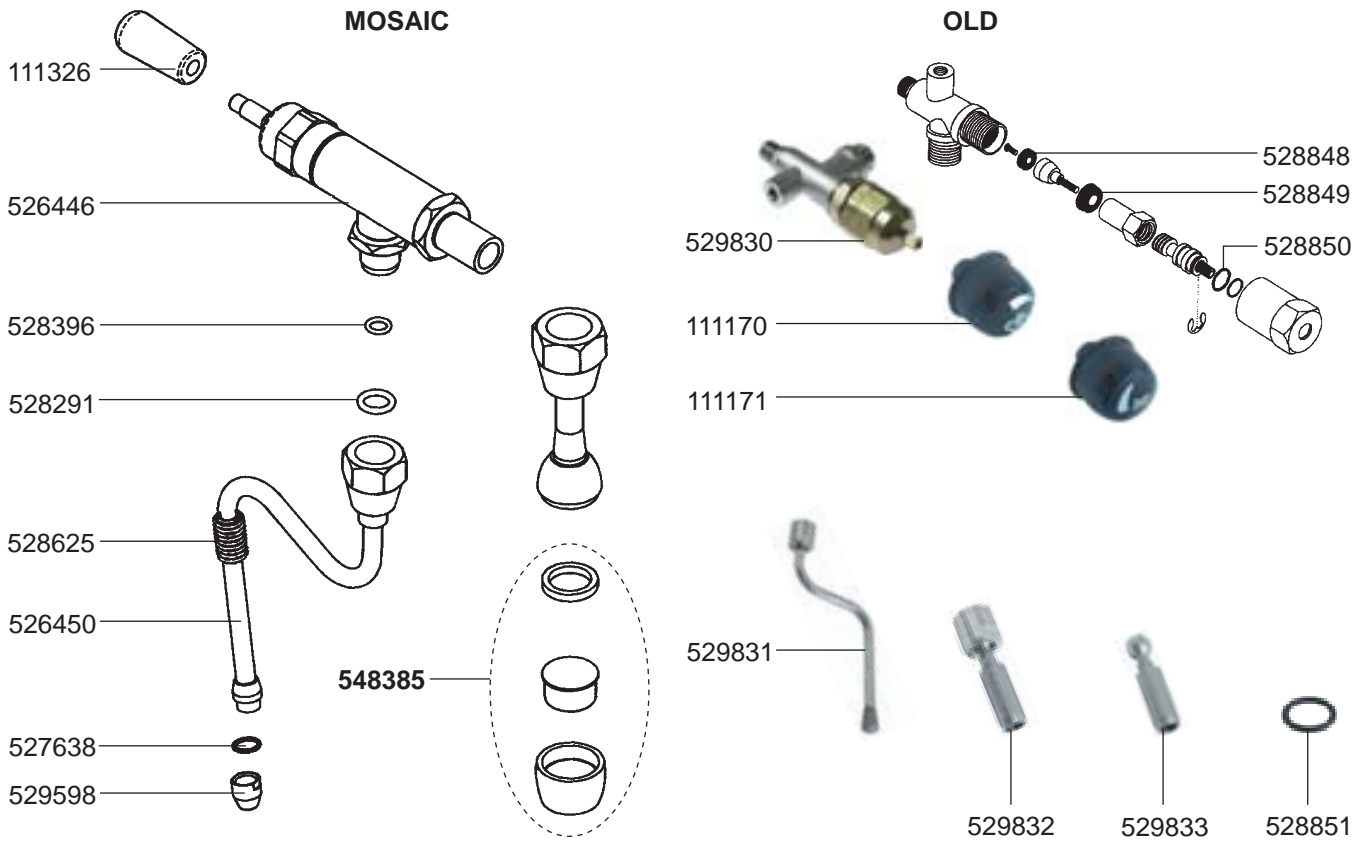
STEAM/WATER TAPS XL PALLAS



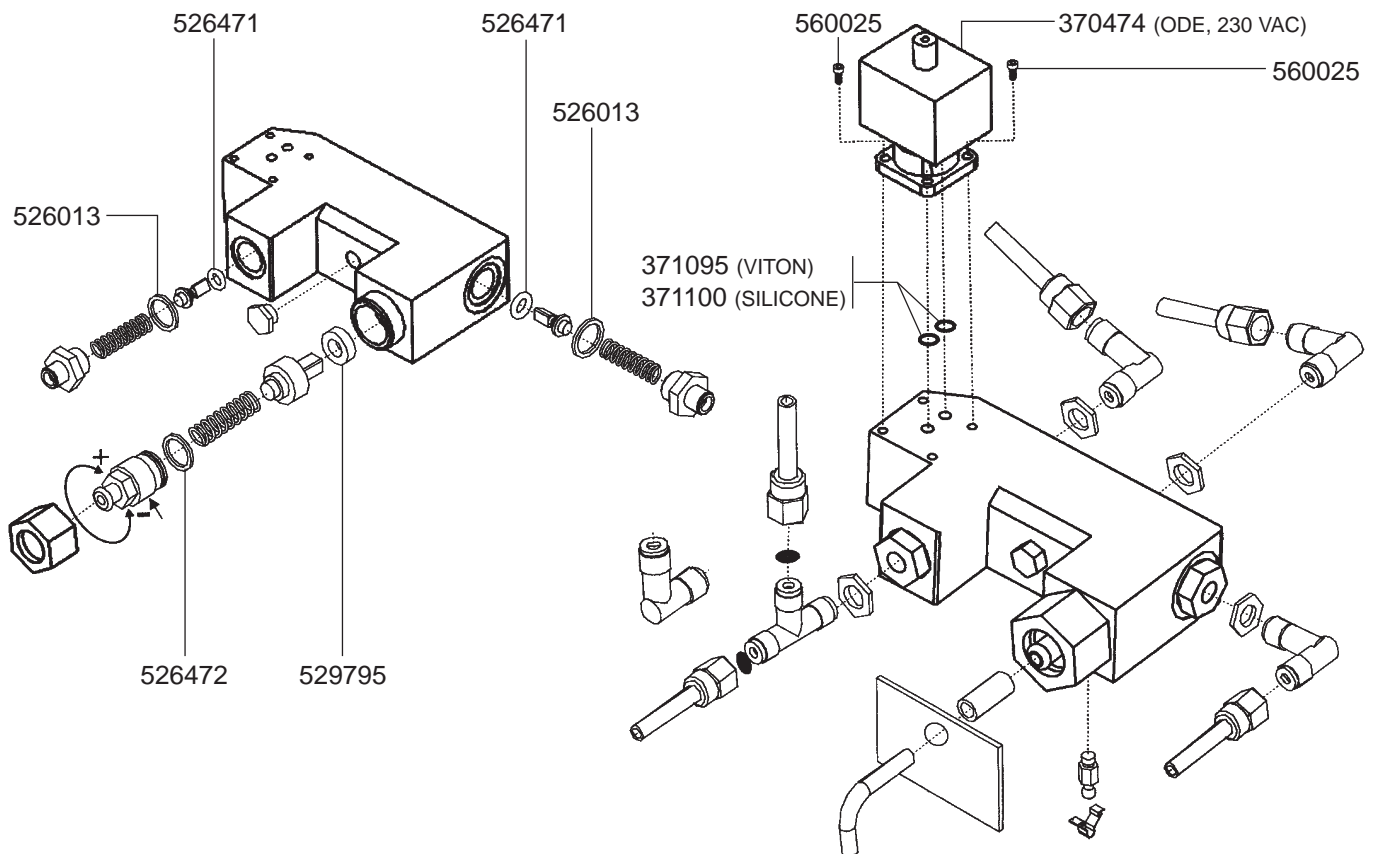
STEAM/WATER TAPS STREAMLINE



## STEAM/WATER TAPS MOSAIC - OLD MODELS

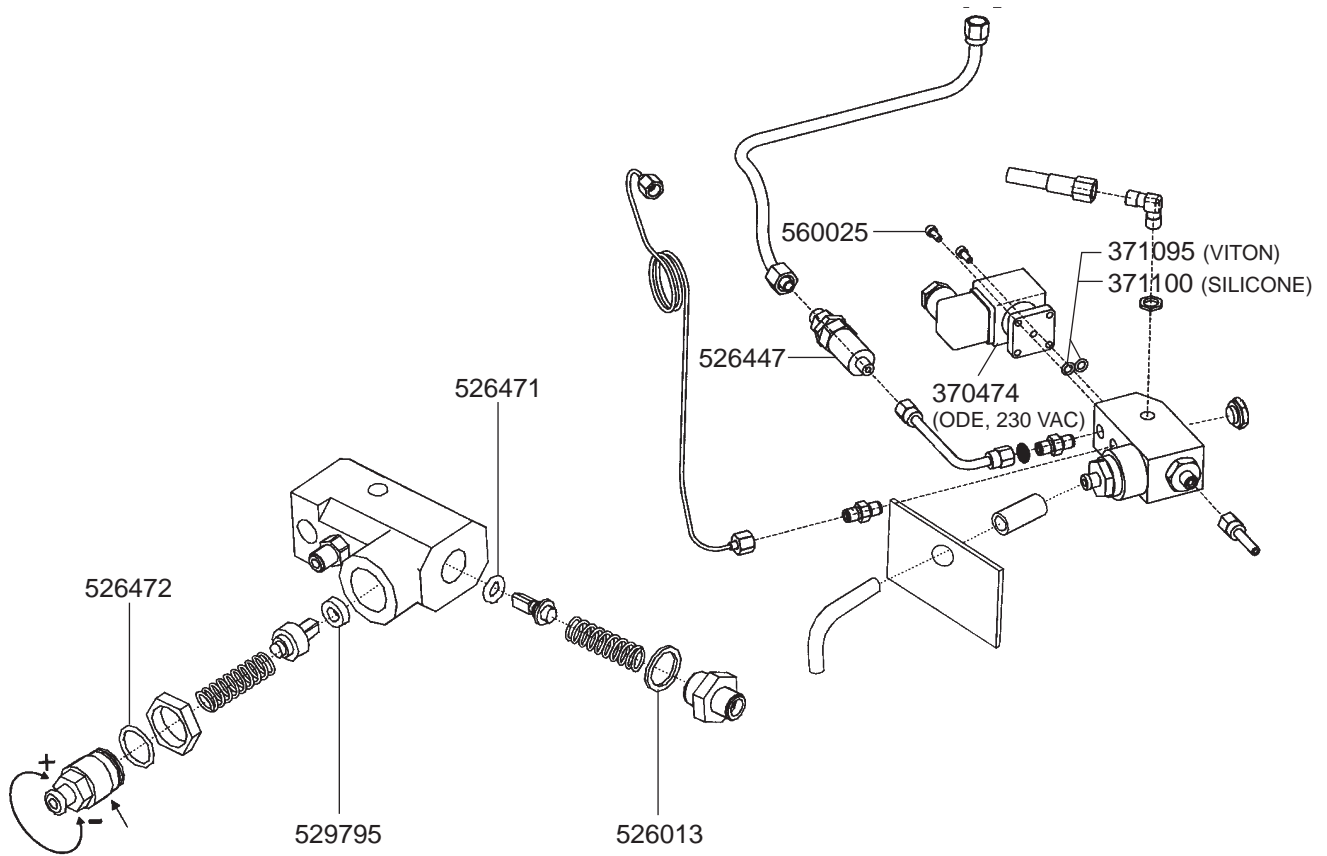


## VALVES VIVA E/VIVA S 2GR/STEAMLINE

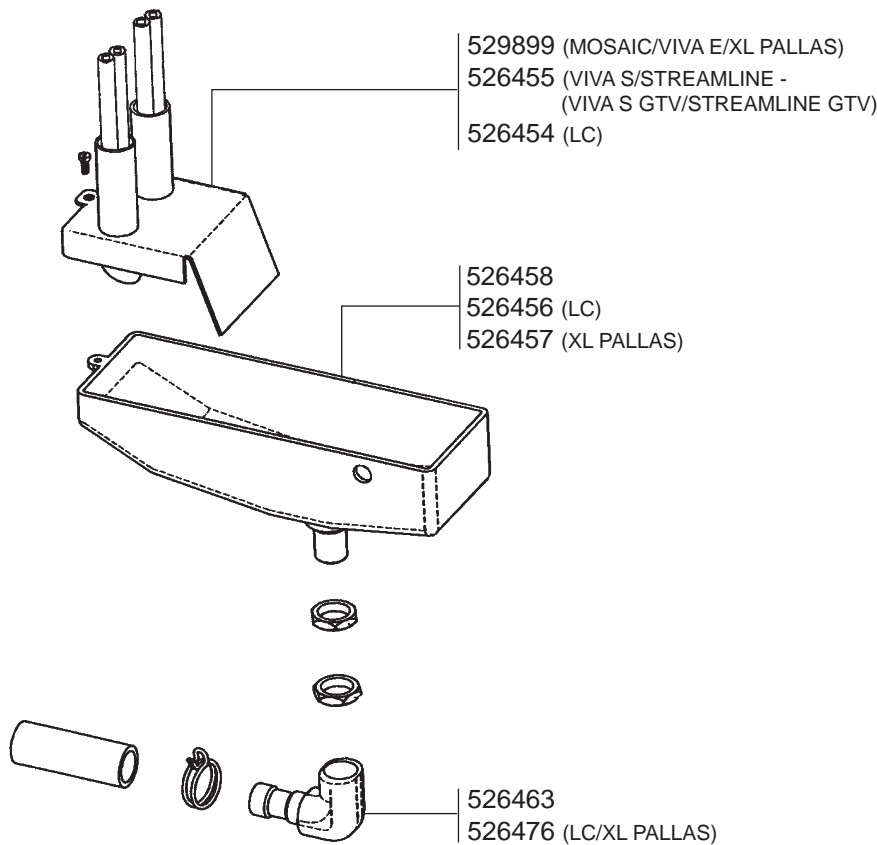




## VALVES MOSAIC



## DRIP TRAY/MANOMETERS



## BOILER VARIOUS



529306  
(1/2")



529305  
(3/8")



529360  
(1/2")



529349  
(3/8")



401654 (L = 95 mm)  
401655 (L = 131 mm)

### MOSAIC



526459



417299 (230/400 VAC-3130/4700W-11 Lt)  
417298 (230 VAC-3100W-8,5 lt-11 Lt)



526448

### STREAMLINE



417316 (2 GR-230/400 VAC-4500W)  
417317 (3 GR-230 VAC-5465W)

### VIVA E/S LC XL PALLAS



528847



417449 (1 GR-230 VAC-2100W)  
417137 (2 GR-230 VAC-3100W-SINGLE PHASE)  
417450 (2 GR-230 VAC-3800W-THREE PHASE)  
417438 (3 GR-230 VAC-4000W-SINGLE PHASE)  
417451 (3 GR-230 VAC-5500W-THREE PHASE)

## ELECTRICAL COMPONENTS MOSAIC/VIVA E-S

### MOSAIC



402847



402434 (GICAR ref 9.5.32.01G00)



402433 (GICAR ref 9.5.22.91G)



347081



380687



401643



401656

### VIVA E/S



401645



401646



401652 (GICAR ref 9.5.22.02G02)



346922 (E)



359896 (E)



380687



401656



346923 (S)



347087 (S)



401643



401647



401650

## ELECTRICAL COMPONENTS STREAMLINE/LC

### STREAMLINE



### LC

## ELECTRICAL COMPONENTS XL PALLAS

### XL PALLAS



### VIVA

## ELECTRICAL COMPONENTS VARIOUS



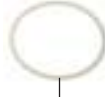
400004



400256



400257



400258



541021 (SIRAI,  
30 AMP, 3 POLES)



541724  
(SIRAI, 20 AMP,  
3 POLES)



541723  
(SIRAI, 20 AMP,  
2 POLES)



541453  
(PARKER)



370057  
(PARKER 230 VAC)  
370053  
(LUCIFER 230 VAC)



370062  
(PARKER)  
370061  
(LUCIFER)



370206  
(PARKER 230 VAC-1/8")  
370072  
(LUCIFER 230 VAC-1/8")



370202  
(PARKER, 230 VAC)  
370211  
(LUCIFER, 230 VAC)



371029  
(PARKER 230 VAC)  
371031  
(LUCIFER 230 VAC)



371090



371095 (VITON)  
371100 (SILICONE)

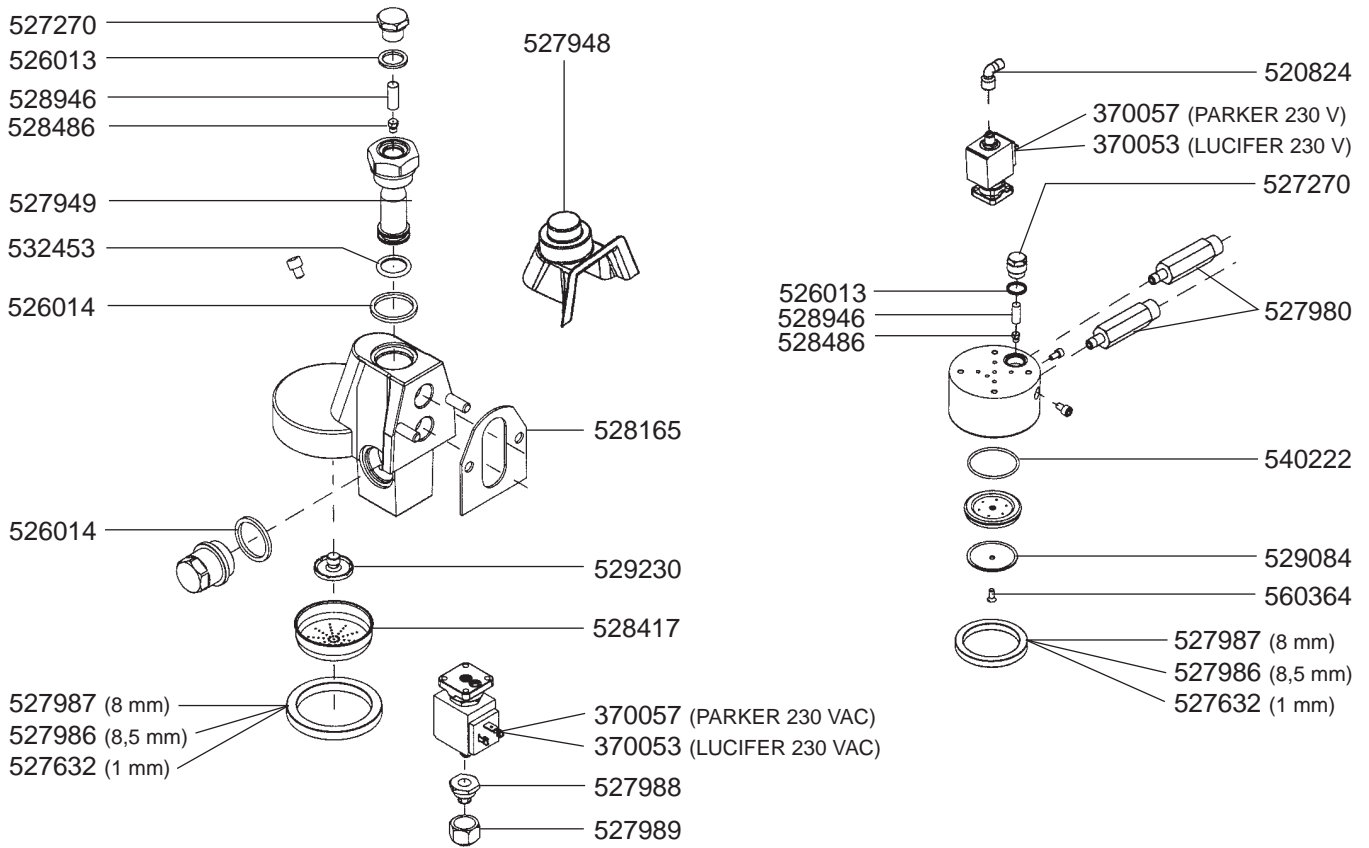


400486  
(COFFEE)

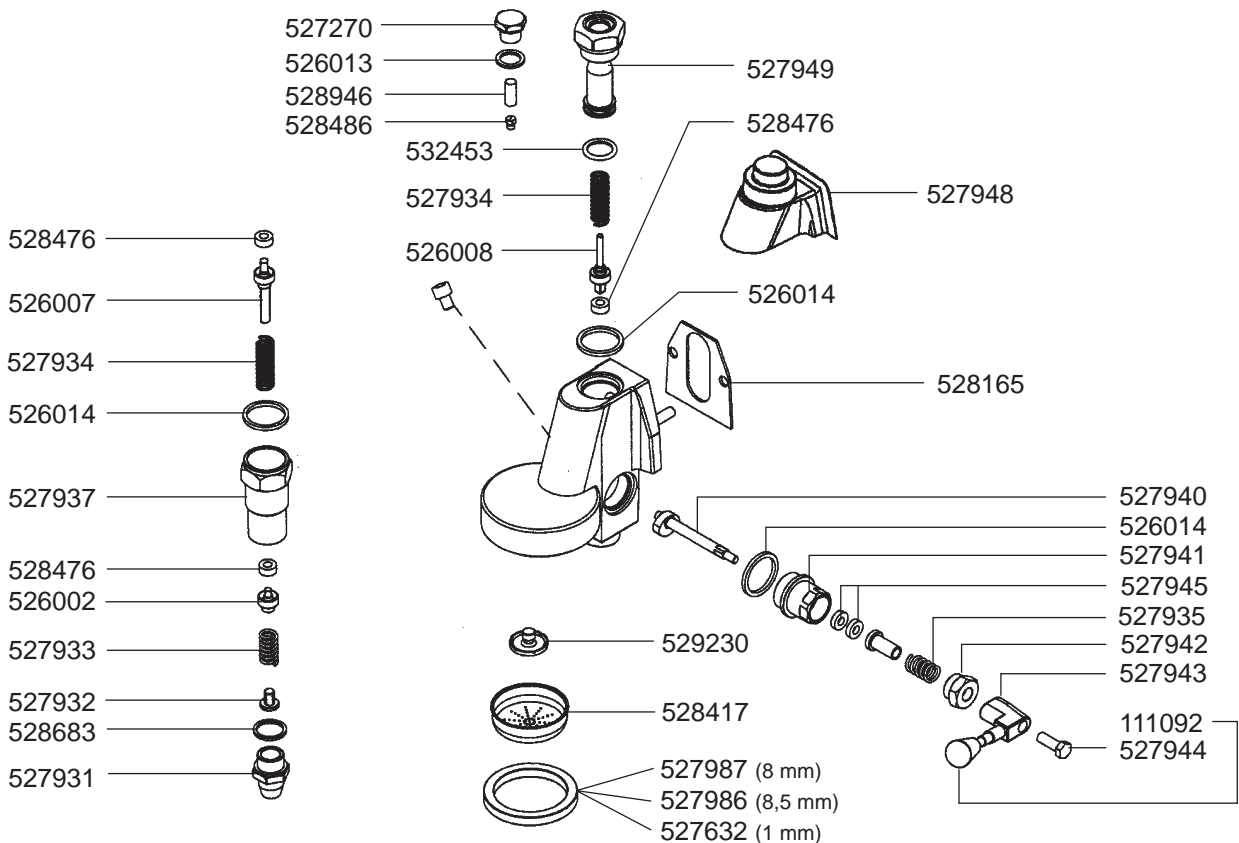


400487  
(WATER)

## SOLENOID GROUPS



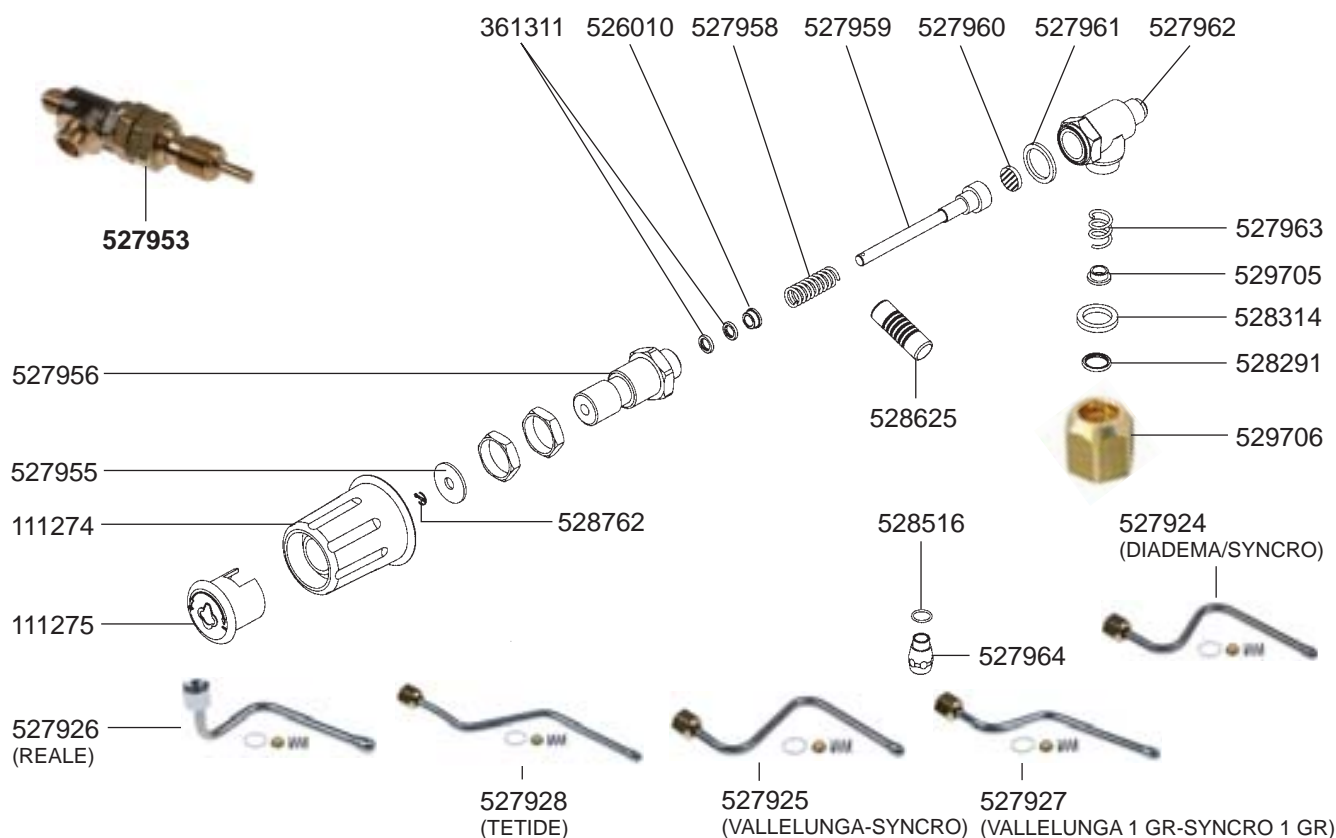
## MANUAL GROUP



## FILTER HOLDERS



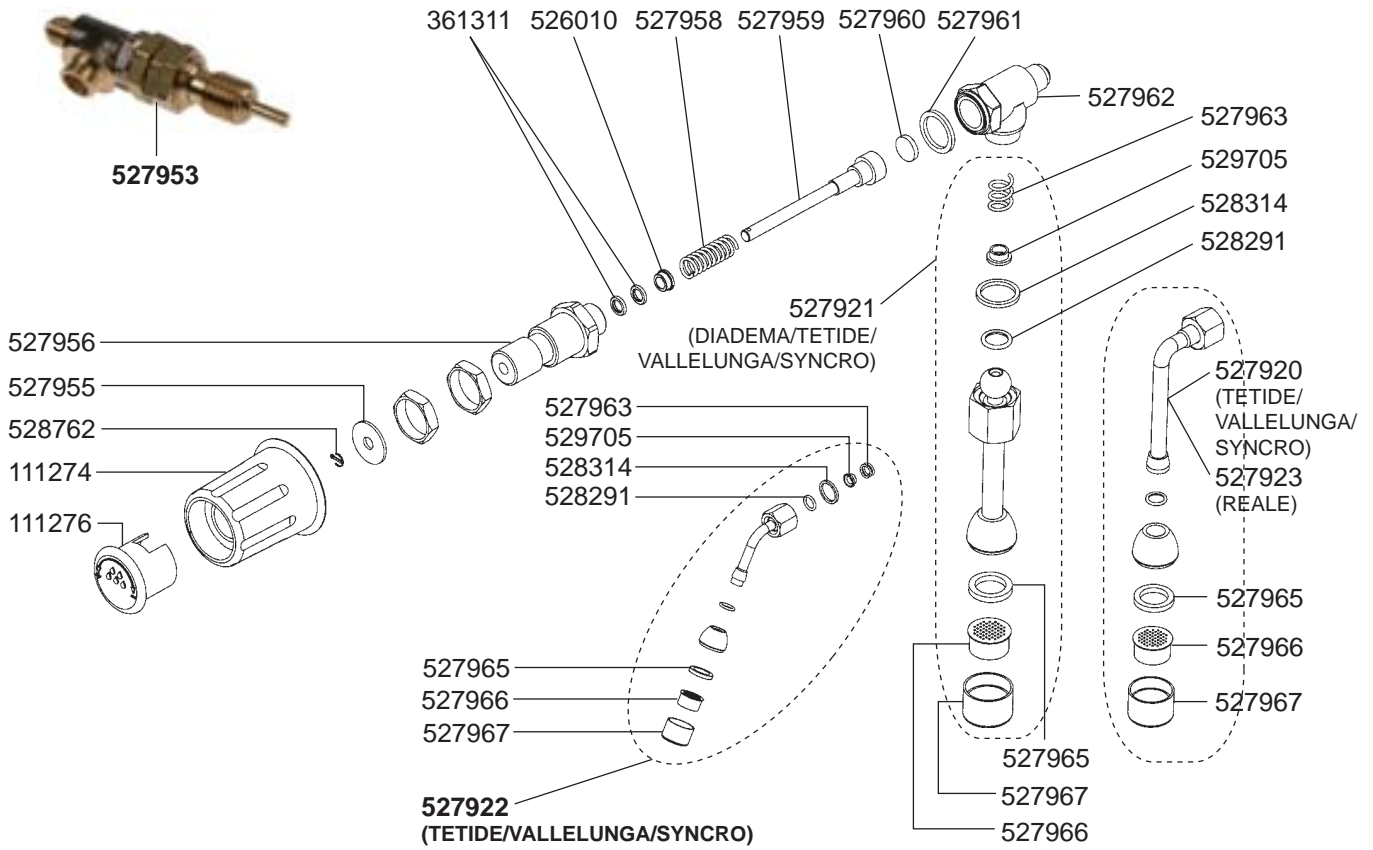
## STEAM TAP SYNCRO/VELLELUNGA/DIADEMA/TETIDE/REALE



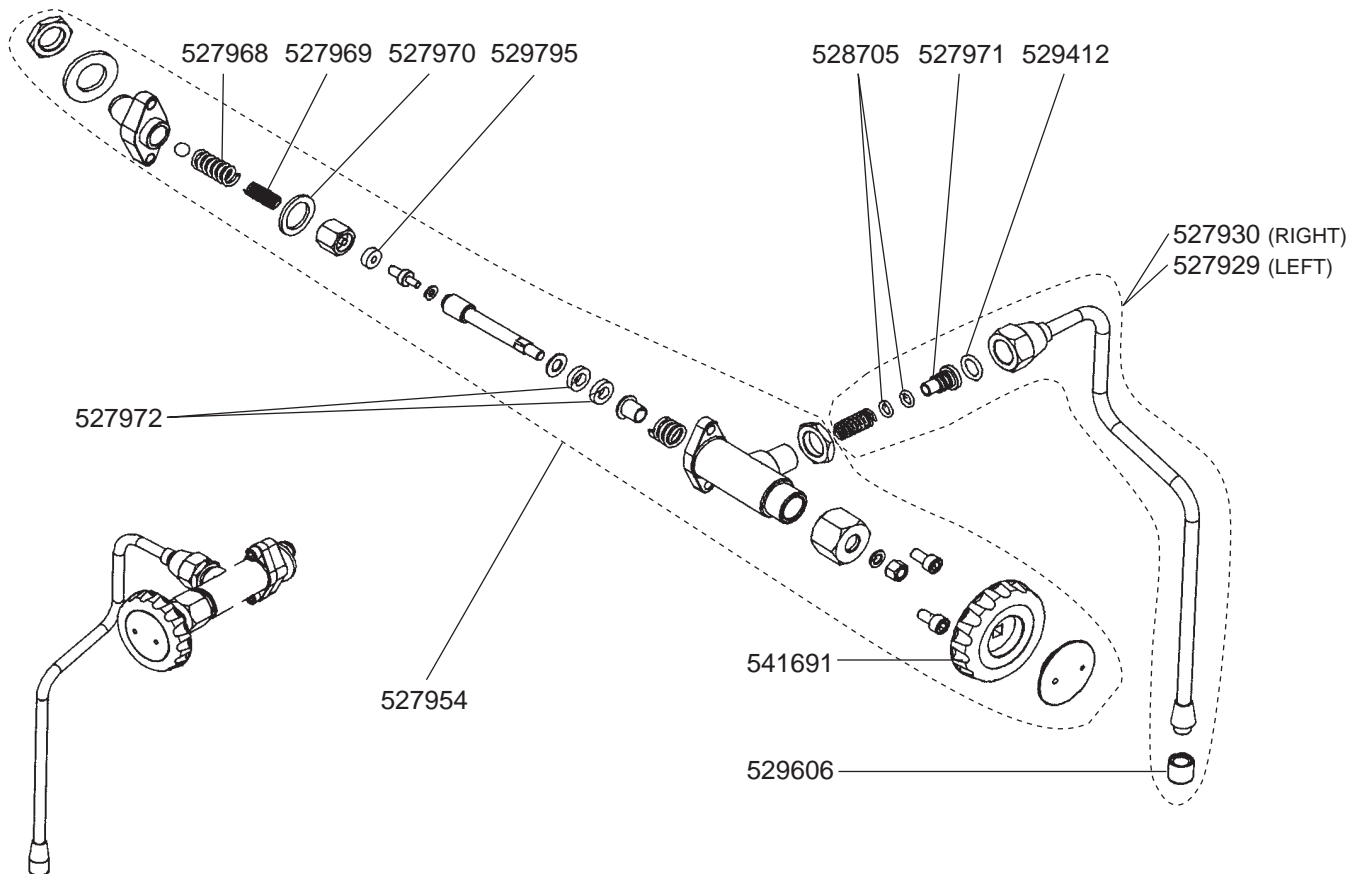
# ROYAL – ESPRESSO MACHINES

1  
ESPRESSO MACHINES

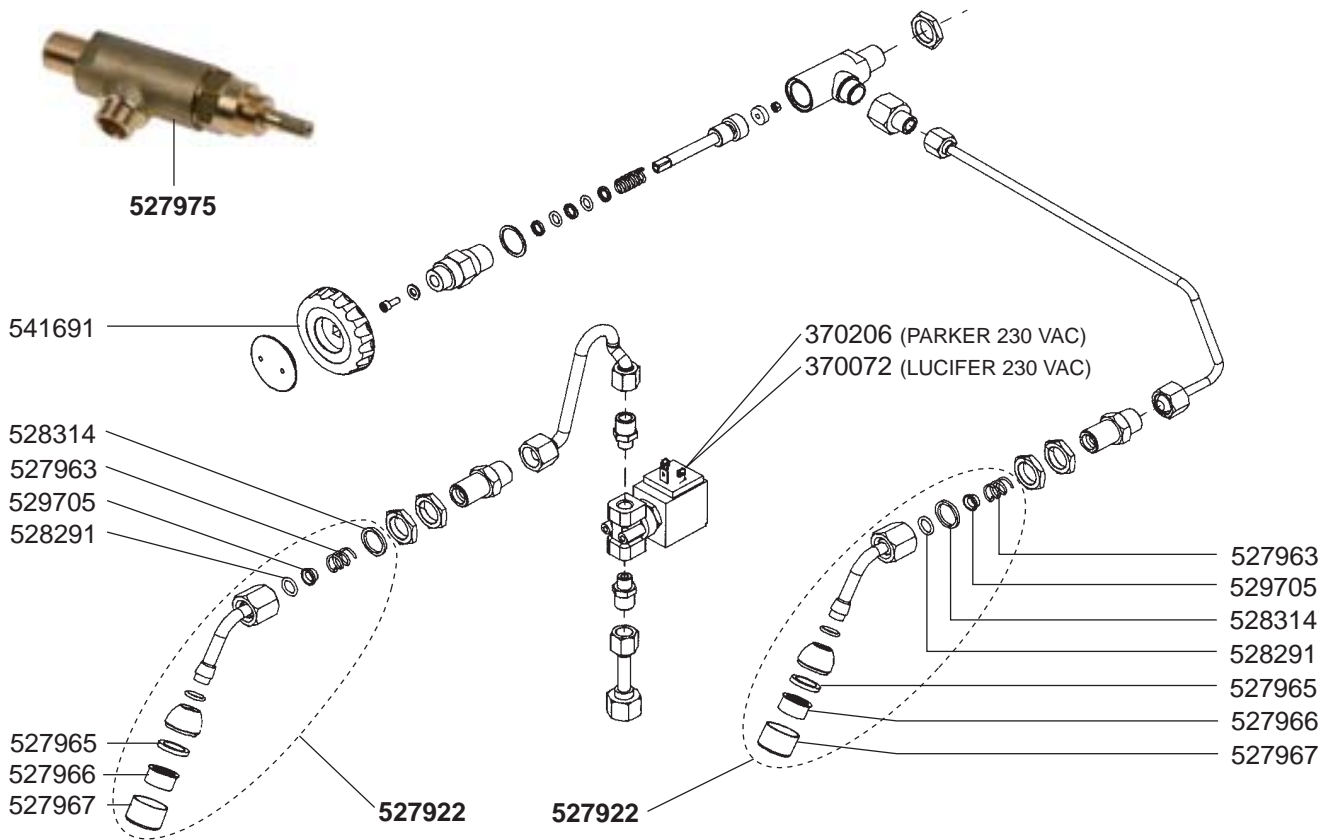
## WATER TAP SYNCRO/VELLELUNGA/DIADEMA/TETIDE/REALE



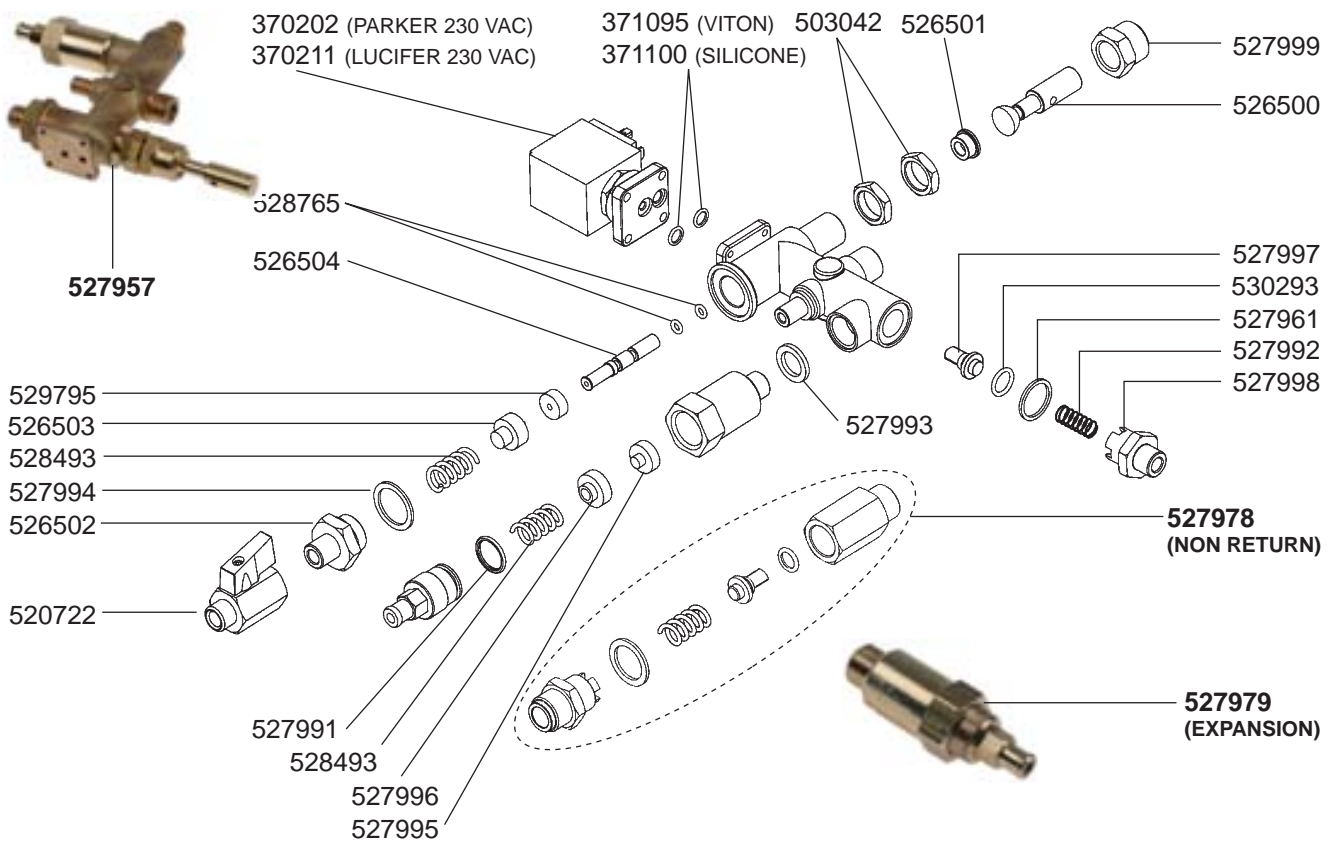
## STEAM TAP DIADEMA OLD FASHION



STEAM TAP DIADEMA OLD FASHION



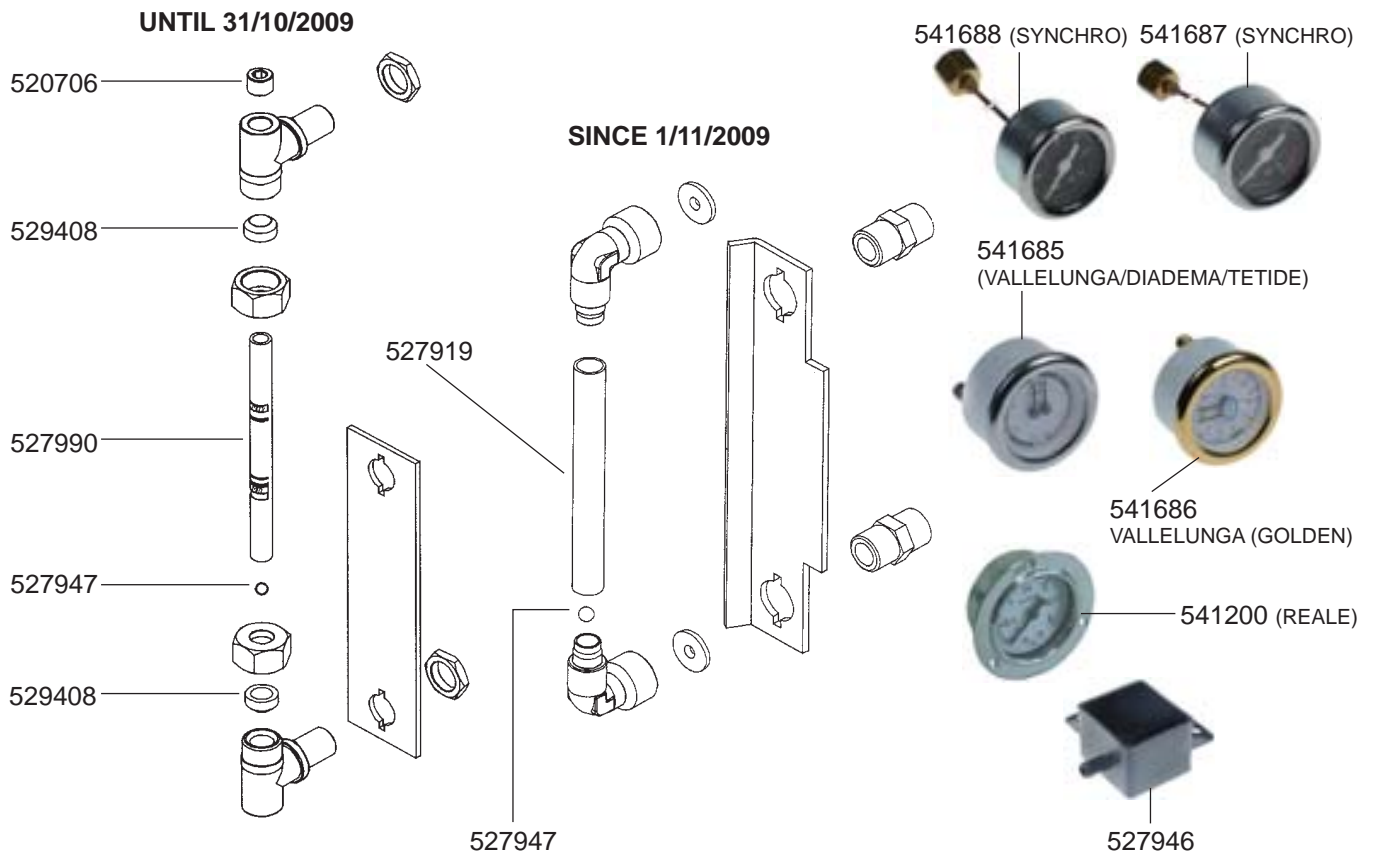
VALVES



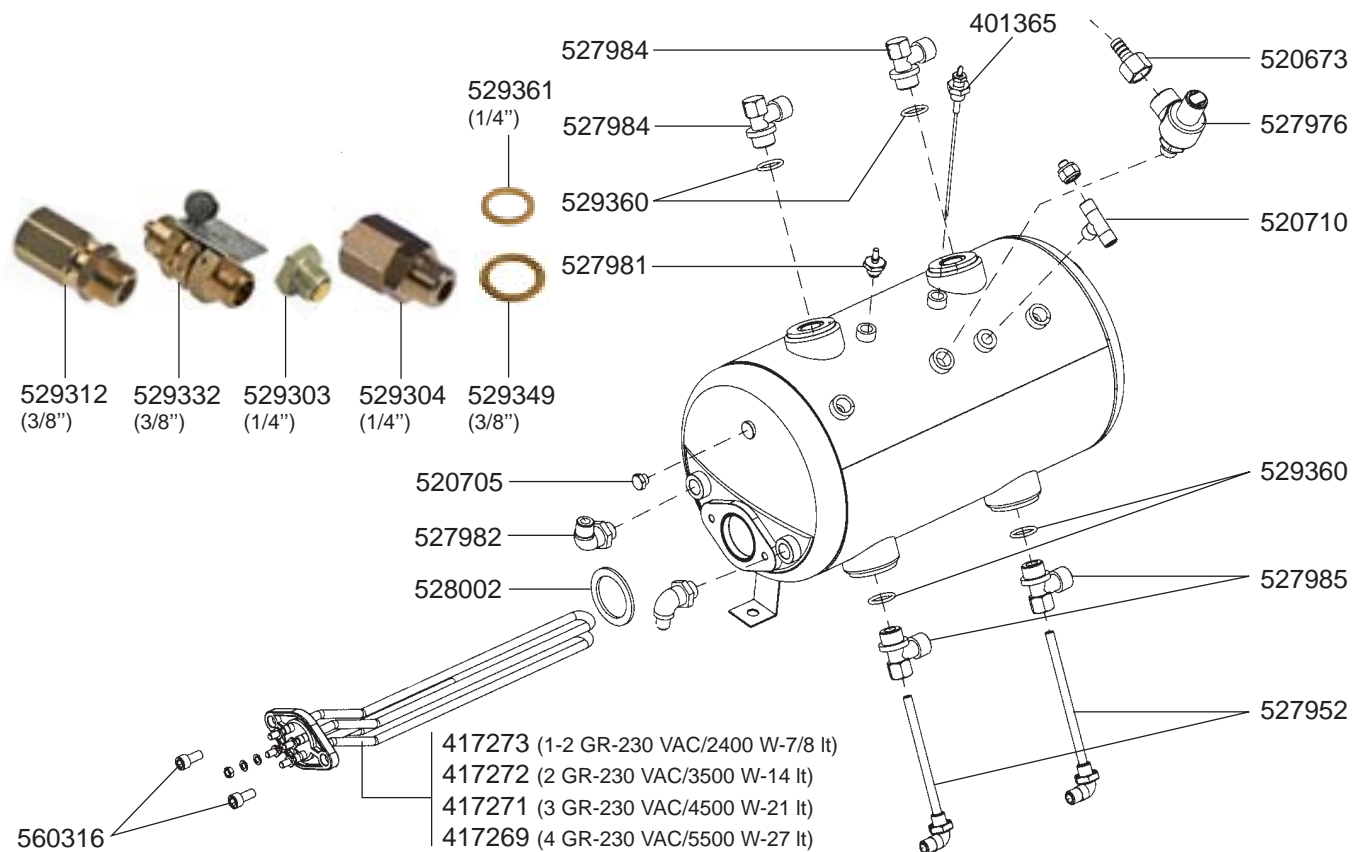
# ROYAL – ESPRESSO MACHINES

1  
ESPRESSO MACHINES

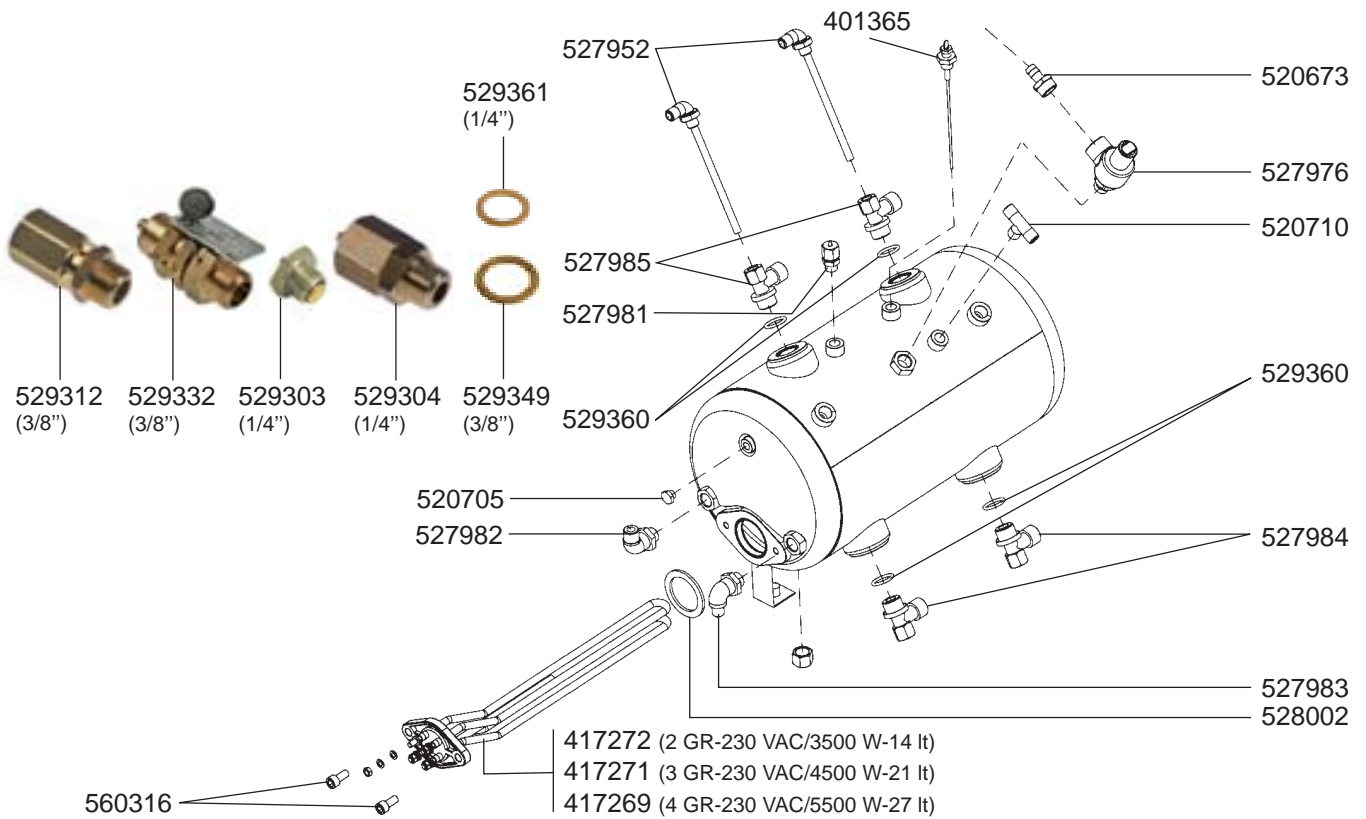
## LEVEL INDICATOR/MANOMETERS/DRIP TRAY



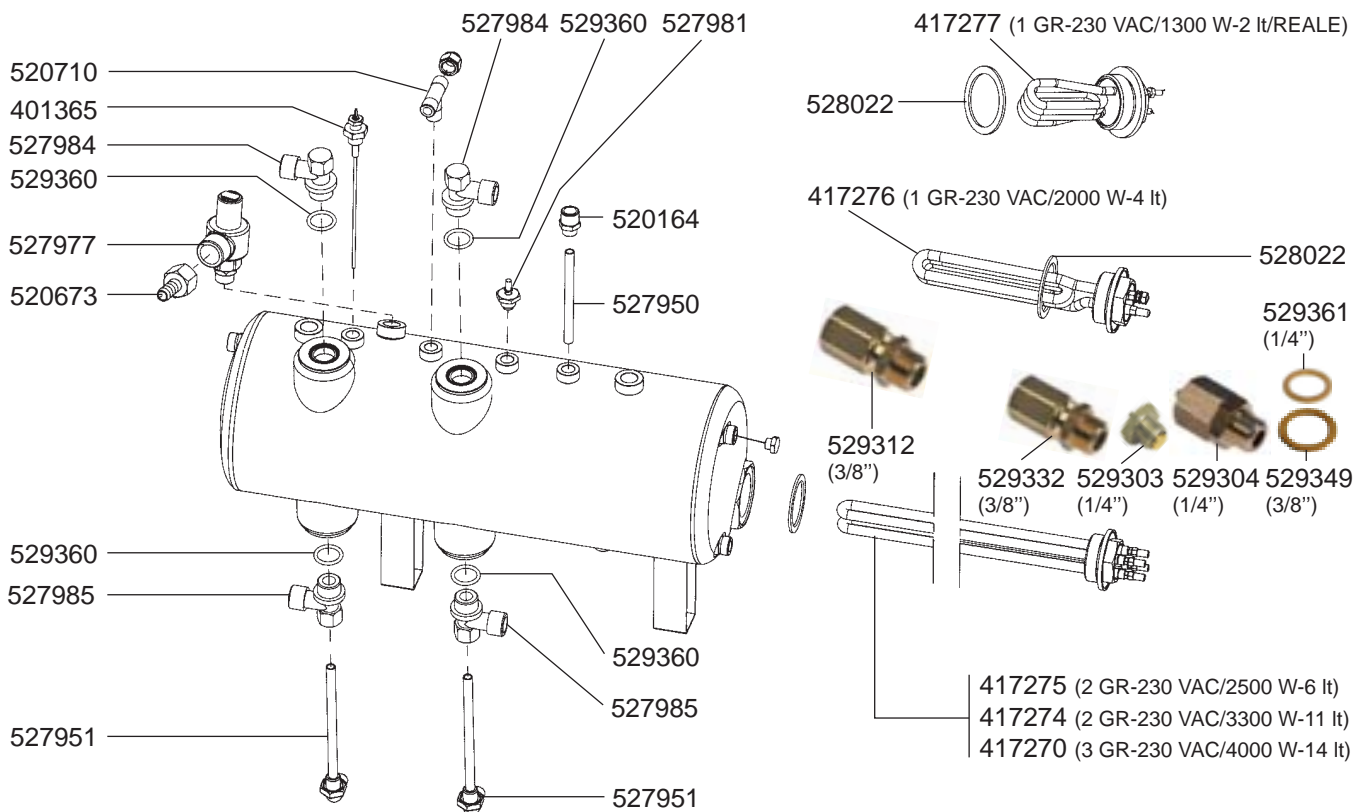
## BOILER VARIOUS SYNCRO/DIADEMA/TETIDE/VALLELUNGA



## BOILER VARIOUS TETIDE HIGHT HOT WATER PIPE



## BOILER VARIOUS SYNCRO 6-11-14lt



## ELECTRICAL COMPONENTS SYNCRO 2-3-4GR

### ELECTRONIC



402239



402238



402246



402241 (GICAR  
REF. 9.5.25.98G 01)



347205



359472 (RED)



359473 (ORANGE)



359474 (GREEN)



375494



346100 (20 A)



346101 (25 A)

### SWITCH MOD.



347207



347205



402103 (GICAR  
REF. 9.1.40.71G)



359472 (RED)



359473 (ORANGE)



359474 (GREEN)



375494



346100 (20 A)



346101 (25 A)

## ELECTRICAL COMPONENTS SYNCRO 2-3-4GR/SYNCRO 1GR

### LEVER DISPENSING MOD.



345639



402103  
(GICAR REF. 9.1.40.71G)



347205



359474 (GREEN)



375494



346100 (20 A)



346101 (25 A)

### ELECTRONIC 1 GR-4 lt



402239



402245  
(GICAR REF. 9.5.17.84 G 01)



347205



359474 (GREEN)



359472 (RED)



402223



347198 (20 A)

ELECTRICAL COMPONENTS SYNCRO 1GR



347207



402234  
(GICAR REF. 9.1.29.05G 00)



359472 (RED)



359474 (GREEN)



347198



402239



402245  
(GICAR REF. 9.5.17.84G 01)



347205



359474 (GREEN)



359472 (RED)



375494



346100 (20 A)

SWITCH MOD. 1 GR-7 It



347207



402103  
(GICAR REF. 9.1.40.71G)



359472 (RED)



359474 (GREEN)



375494



346100 (20 A)

ELECTRICAL COMPONENTS VALLELUNGA 2-3-4GR

ELECTRONIC



402240



402235



402241  
(GICAR REF. 9.5.25.98G 01)



301001



359476 (RED)



359475 (GREEN)



375494



347208 (2/3 GR)



347210 (4 GR)

SWITCH MOD.



347206



301001



402103  
(GICAR REF. 9.1.40.71G)



359476 (RED)



359475 (GREEN)



375494



347208 (2/3 GR - 20 A)



347209 (3 GR - 25 A)



347210 (4 GR - 30 A)

## ELECTRICAL COMPONENTS BOILER VARIOUS VALLELUNGA 2-3-4GR/VALLELUNGA 1GR

### LEVER DISPENSING MOD.



345639



402103  
(GICAR REF. 9.1.40.71G)



301001



359476 (RED)



359475 (GREEN)



375494



347208  
(2/3 GR - 20 A)



347209 (3 GR - 25 A)



347210 (4 GR - 30 A)

### ELECTRONIC 1 GR - 4 lt



402240



402245  
(GICAR REF. 9.5.17.84G 01)



301001



359476 (RED)



359475 (GREEN)



402223



347198

## ELECTRICAL COMPONENTS VALLELUNGA 1GR

### SWITCH MOD. 1 GR-4 lt



346049



347204



402234  
(GICAR REF. 9.1.29.05G 00)



359476 (RED)



359475 (GREEN)



347198

### ELECTRONIC 1 GR-7 lt



402240



402245  
(GICAR REF. 9.5.17.84G 01)



301001



359476 (RED)



359475 (GREEN)



375494



346100

### SWITCH MOD. 1 GR-7 lt



346049



347204



402103  
(GICAR REF. 9.1.40.71G)



301001



359476 (RED)



359475 (GREEN)



375494



346100

ELECTRICAL COMPONENTS TETIDE

ELECTRONIC



402236



301001



402231  
(GICAR REF. 9.5.22.80G 00)



359475 (GREEN)



375494



346100 (20 A)



346101 (25 A)



347198 (20 A)

SWITCH MOD.



346049



301001



402103  
(GICAR REF. 9.1.40.71G)



359476 (RED)



359475 (GREEN)



375494



346100 (20 A)



346101 (25 A)



347198 (20 A)

ELECTRICAL COMPONENTS TETIDE/DIADEMA

LEVER DISPENSING MOD. TETIDE



345639



402103  
(GICAR REF. 9.1.40.71G)



301001



359475 (GREEN)



375494



346100 (20 A)



346101 (25 A)



347198

ELECTRONIC DIADEMA



402236



402244



301001



359476 (RED)



359475 (GREEN)



375494



347208 (20 A)



347210 (30 A)

## ELECTRICAL COMPONENTS DIADEMA

### SWITCH MOD.



402237



301001



402233  
(GICAR REF. 9.9.02.50G)



402232  
(GICAR REF. 9.9.02.49G)



359476 (RED)



359475 (GREEN)



375494



347208 (20 A)



347210 (30 A)

### LEVER DISPENSING MOD.



345639



402103  
(GICAR REF. 9.1.40.71G)



301001



359476 (RED)



359475 (GREEN)



375494



347208 (20 A)



347210 (30 A)

## ELECTRICAL COMPONENTS REALE

### REALE



346519



359474 (GREEN)



359473 (ORANGE)



345639



347211



541690



402234  
(GICAR REF. 9.1.29.05G 00)

## ELECTRICAL COMPONENTS VARIOUS



400004



400256



400257



400258



541021  
(SIRAI, 30 AMP,  
3 POLES)



541724  
(SIRAI, 20 AMP,  
3 POLES)



541723  
(SIRAI, 20 AMP,  
2 POLES)



541453  
(PARKER)



370057  
(PARKER 230 VAC)  
370053  
(LUCIFER 230 VAC)



370062  
(PARKER)  
370061  
(LUCIFER)



370206  
(PARKER 230 VAC 1/8")  
370072  
(LUCIFER 230 VAC 1/8")



371029  
(PARKER 230 VAC)  
371031  
(LUCIFER 230 VAC)



371091



371090



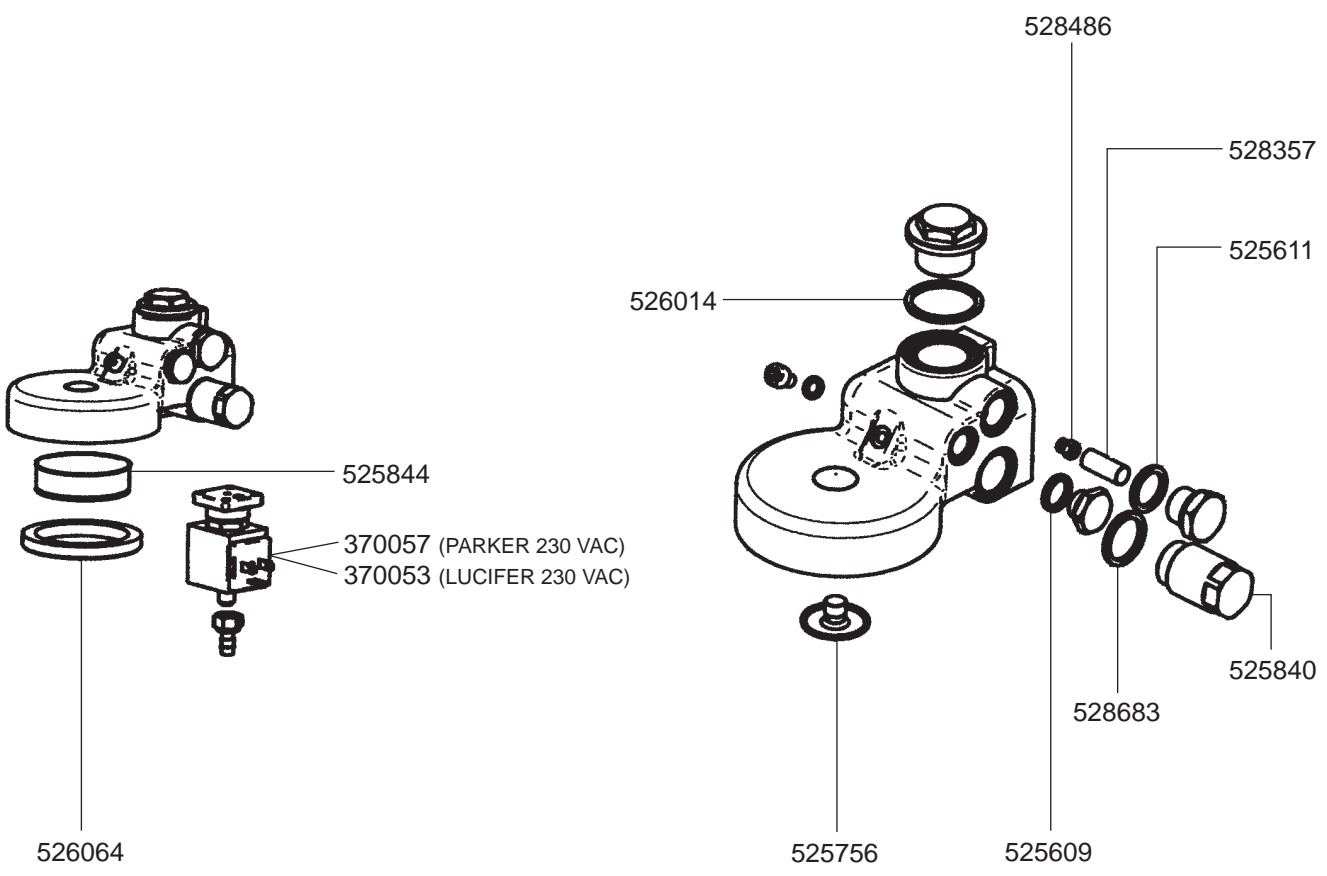
371095  
(VITON)



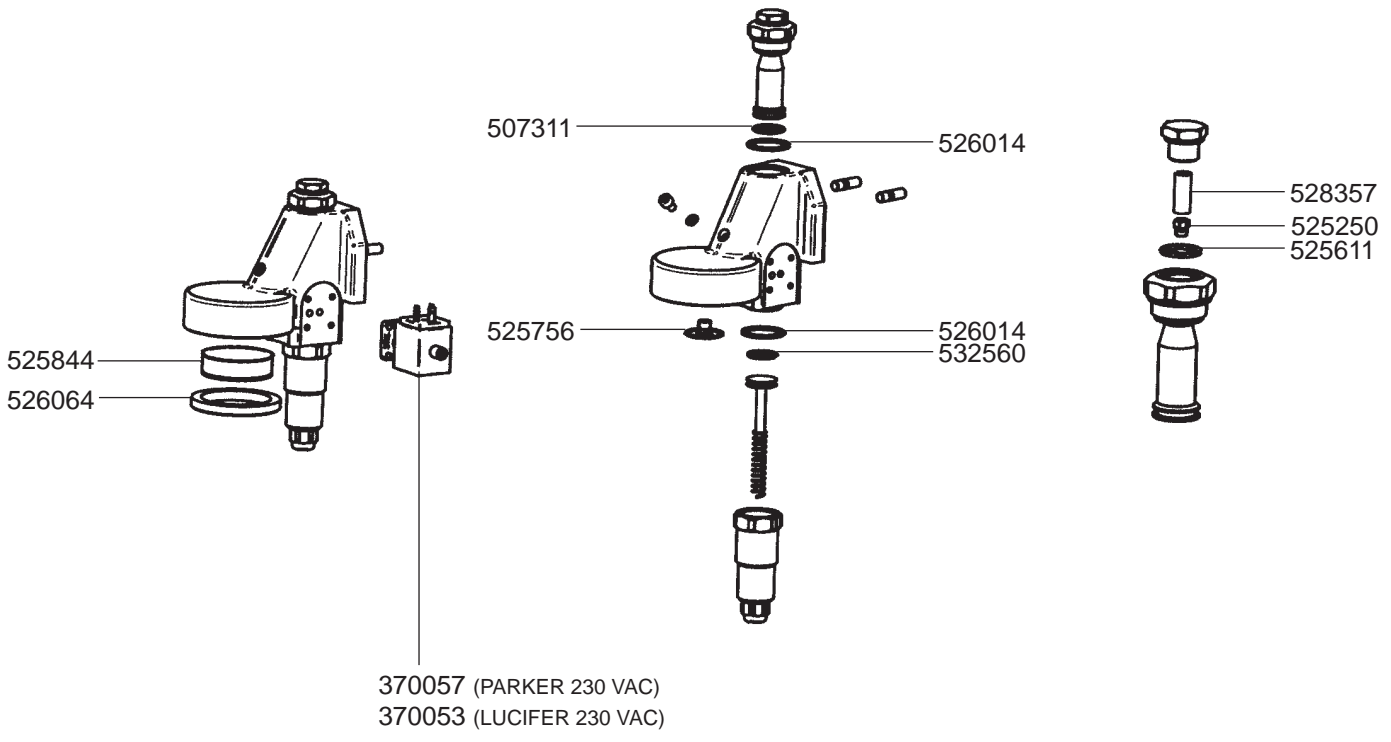
371100  
(SILICONE)

## 1 GROUP ATLANTIC/MARINA

ESPRESSO MACHINES



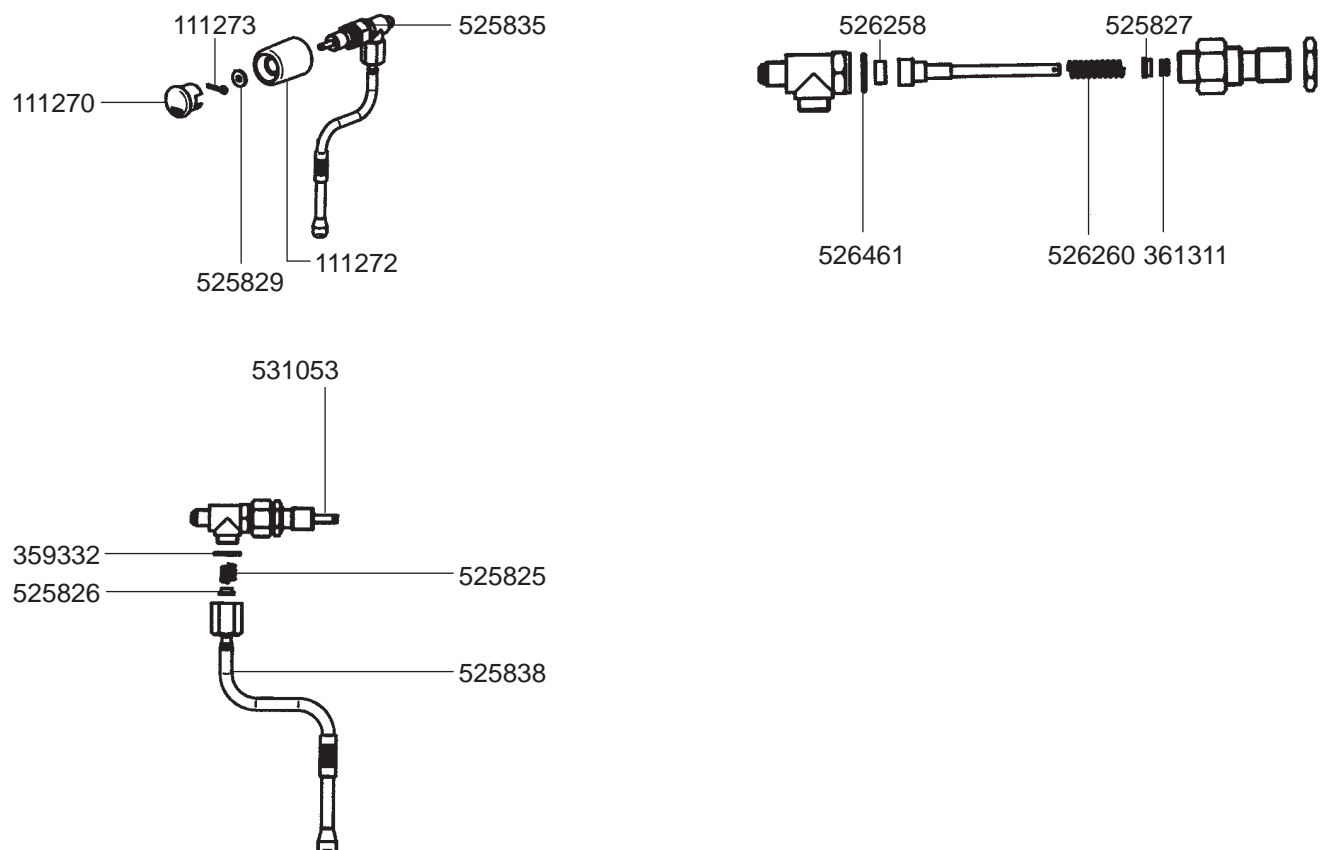
## GROUP PRESTIGE REVOLUTION



## FILTER HOLDERS



## STEAM TAPS ATLANTIC

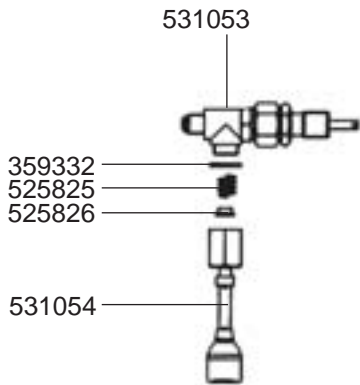
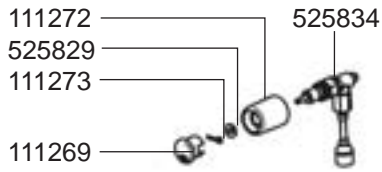


# RST FIAMMA – ESPRESSO MACHINES

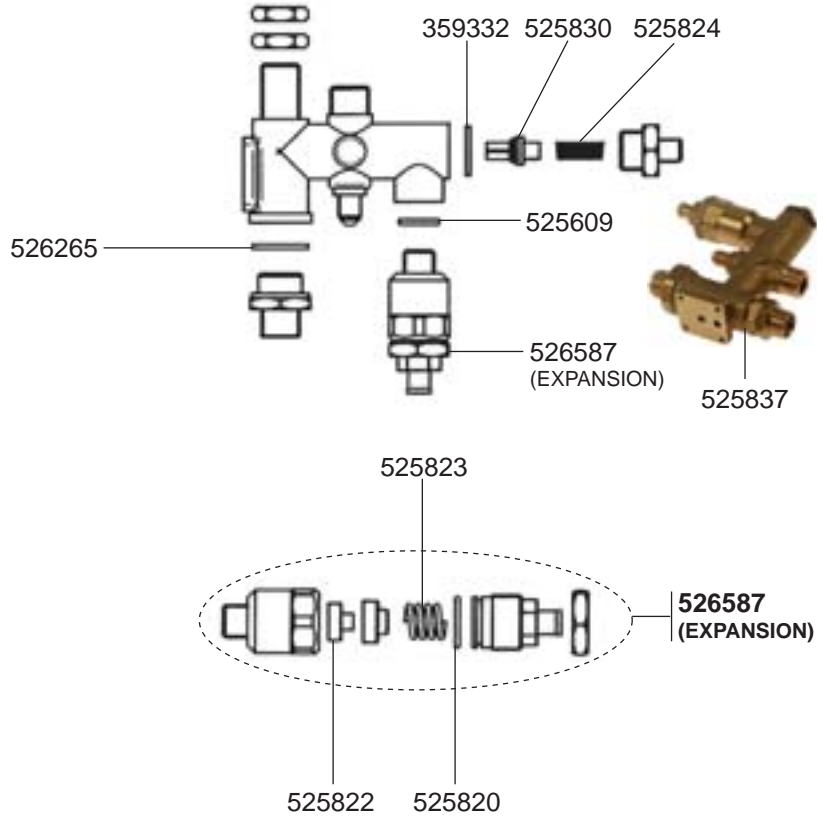
ESPRESSO MACHINES

## 1 WATER TAP/VALVES ATLANTIC/PRESTIGE REVOLUTION

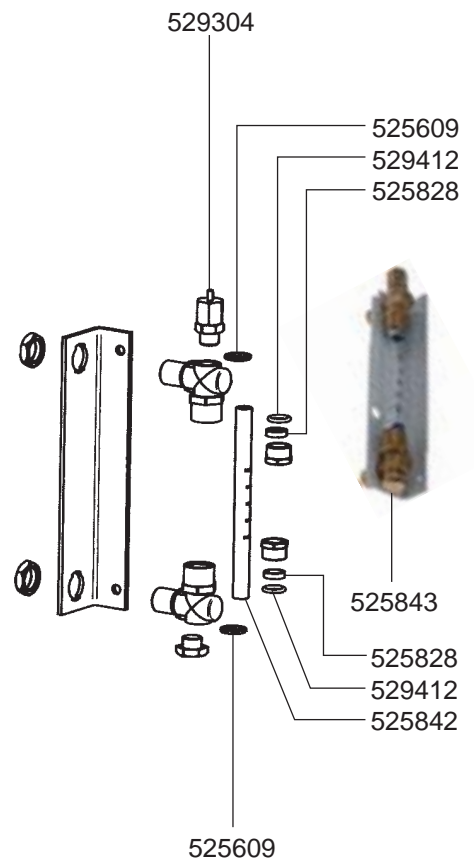
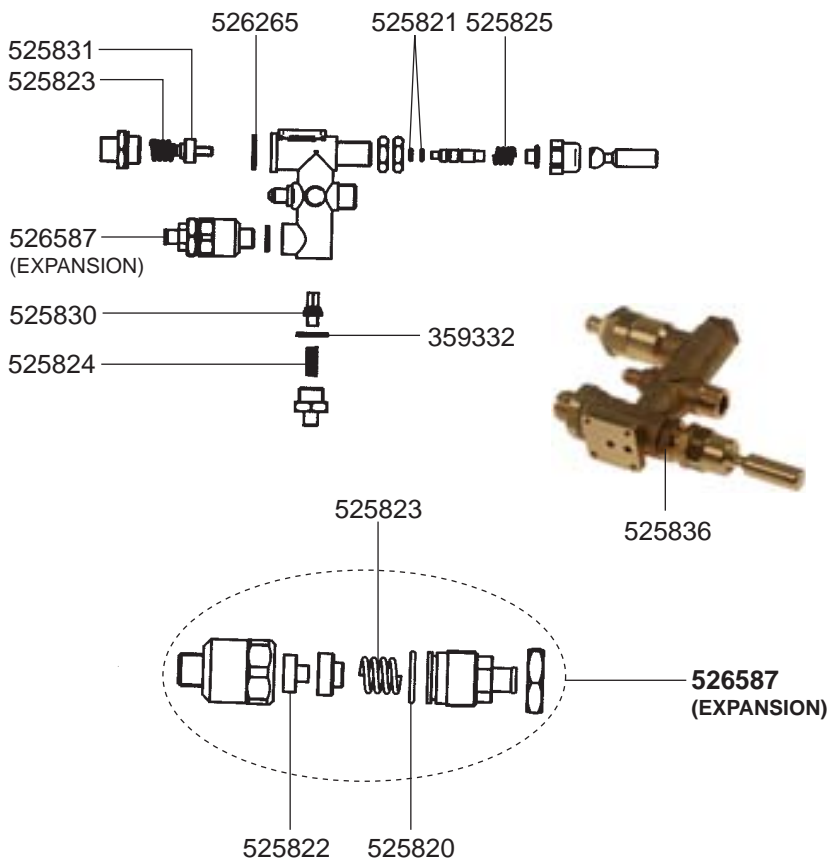
### ATLANTIC/PRESTIGE REVOLUTION



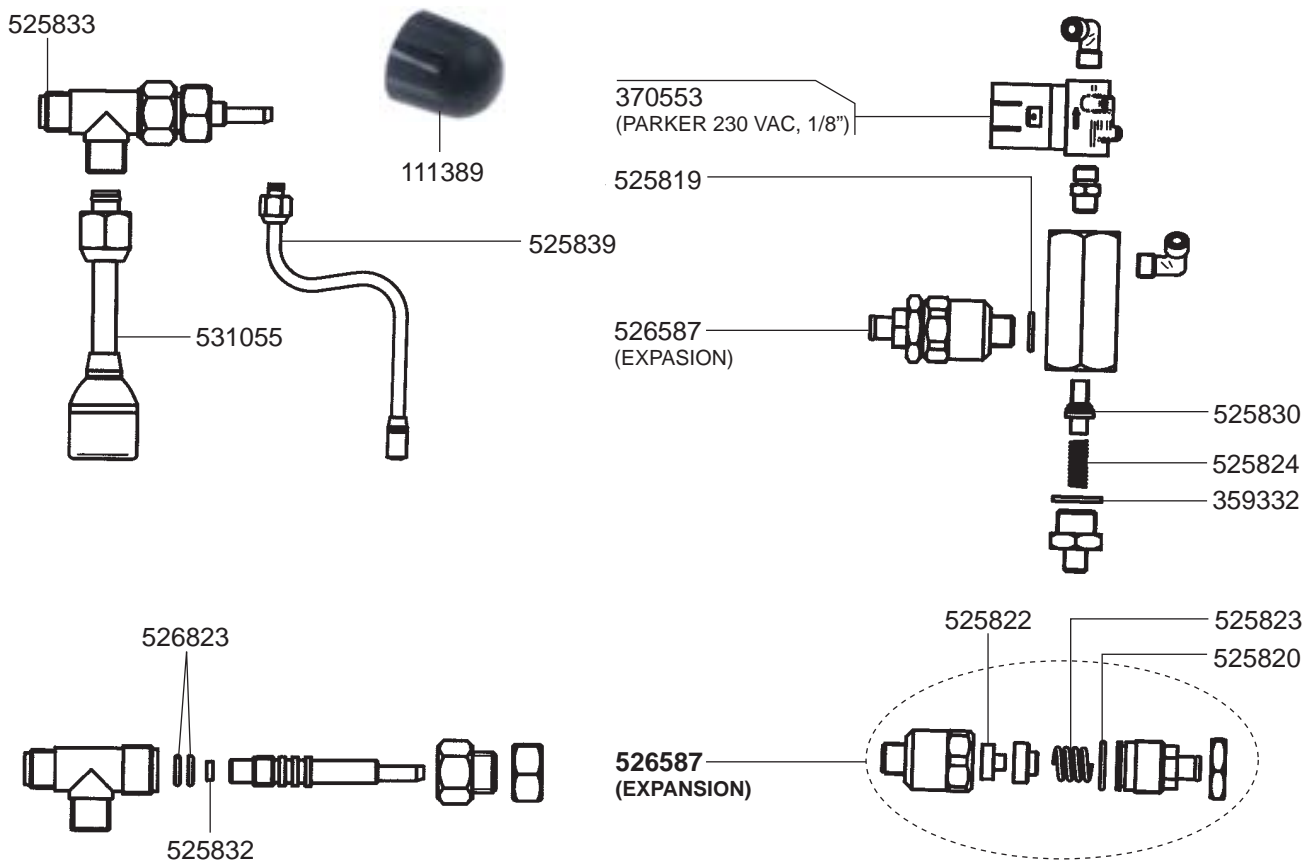
### ATLANTIC



## VALVES/LEVEL INDICATOR PRESTIGE REVOLUTION



## WATER TAP/VALVES MARINA



## BOILER VARIOUS



529879



529304



401161



541768  
(0-3 BAR)

### ATLANTIC PRESTIGE REVOLUTION



528021



417467 (1 GR, 1800 W)  
417469 (2 GR, 3500 W)  
417468 (3 GR, 5000 W)



390367



541767  
(0-16 BAR)

### MARINA



528018



417466  
(1 GR, 1800 W)



390367



525841

## ELECTRICAL COMPONENTS

### ATLANTIC / PRESTIGE REVOLUTION



402667  
(GICAR ref.9.9.08.83G)



402723  
(GICAR ref.9.5.22.50G09)



346397



111390



359140



359139



345722  
(ONE POLE)



347402



347403



345720  
(TWO POLES)



402724



402722  
(GICAR ref.9.5.28.65.G00)



359140



359139



345720



347402



347403

### MARINA

## ELECTRICAL COMPONENTS VARIOUS



400004



400256



400257



400258



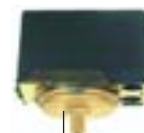
541021  
(SIRAI, 30 AMP,  
3 POLES)



541724  
(SIRAI, 20 AMP,  
3 POLES)



541723  
(SIRAI, 20 AMP,  
2 POLES)



541453  
(PARKER)



370057  
(PARKER 230 VAC)  
370053  
(LUCIFER 230 VAC)



370062  
(PARKER)  
370061  
(LUCIFER)



370206  
(PARKER 230 VAC 1/8")  
370072  
(LUCIFER 230 VAC 1/8")



371029  
(PARKER 230 VAC)  
371031  
(LUCIFER 230 VAC)



371091



371090

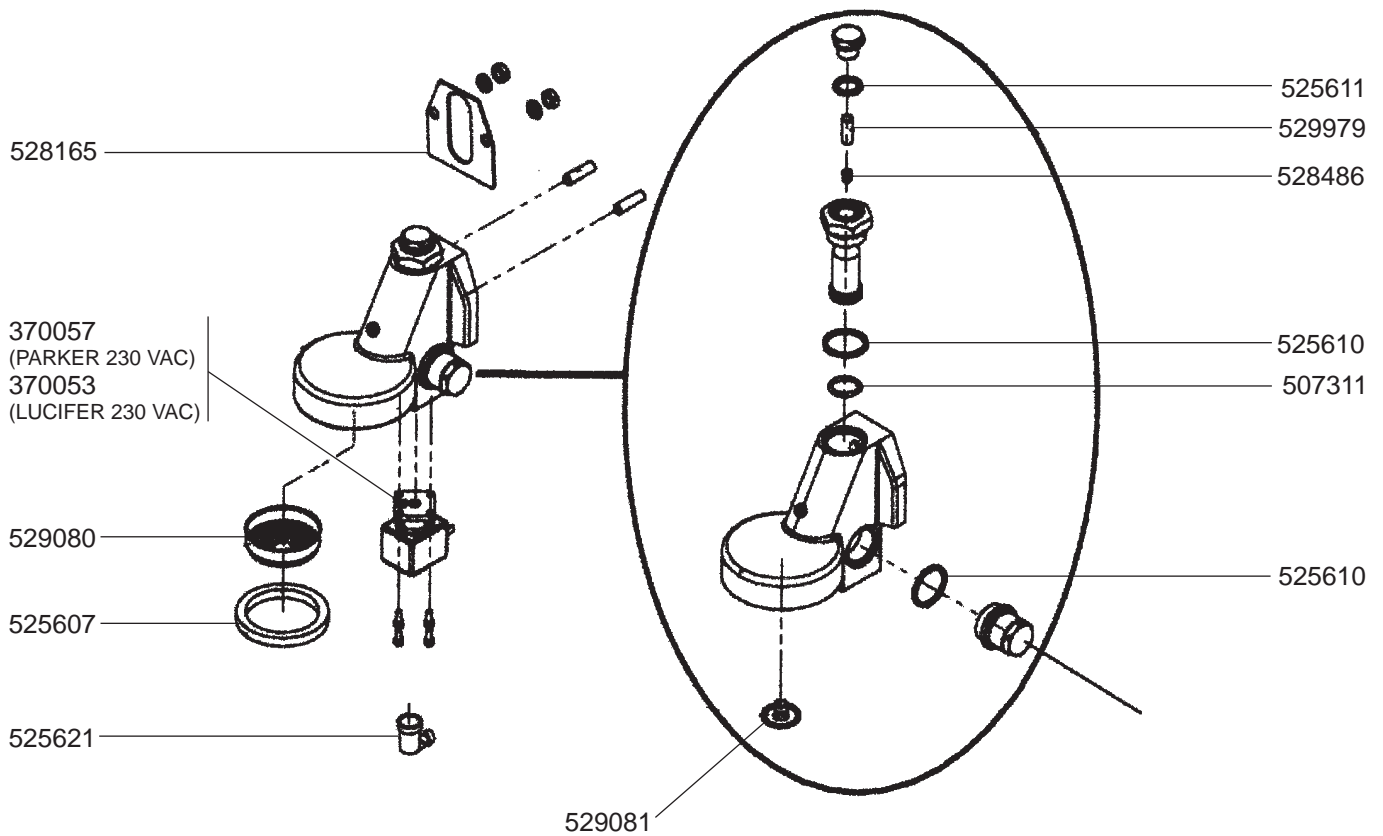


371095  
(VITON)



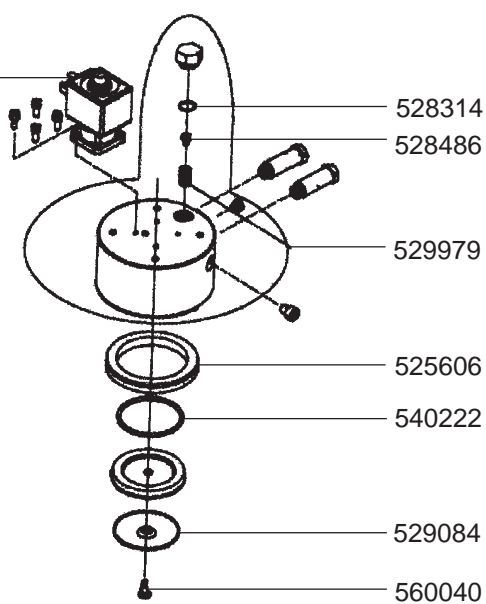
371100  
(SILICONE)

## GROUP VERONA/ROMA/MILANO/VENEZIA LX



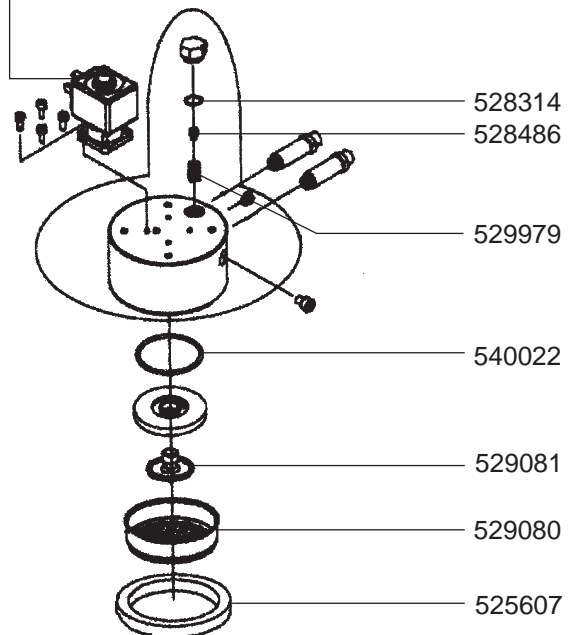
## GROUPS CAPRI/AMALFI/PISA/CAPRI DELUXE/VENEZIA

370057 (PARKER 230 VAC)  
370053 (PARKER 230 VAC)



CAPRI/AMALFI/PISA

370057 (PARKER 230 VAC)  
370053 (LUCIFER 230 VAC)



CAPRI DELUXE/VENEZIA

# SAN REMO – ESPRESSO MACHINES

1  
ESPRESSO MACHINES

## FILTER HOLDERS



525603



529045



525977



529065 (Ø 1,1 mm)  
525956 (Ø 1,2 mm)  
529079 (Ø 1,3 mm)



529012 (6 GR)  
529011 (7 GR)



529014 (12 GR)  
529013 (14 GR)



529023



529024



802025  
(Ø 53/57 mm)



802103  
(PLASTIC)



802104  
(Ø 49/53 mm)



802020  
(STAINLESS  
STEEL)



529063



529001



529003



529004



529007



527633



527634



529894



529161  
(ADJUSTABLE)

## STEAM/WATER TAPS VERONA/ROMA/MILANO

111339 (ROMA)  
111335 (MILANO LX)

111337 (ROMA)  
111334 (MILANO)

111275 (MILANO)

111340 (VERONA)

111338 (VERONA)

525593

527960  
528503  
526010

525614  
528501

370575

525613  
529704  
529705  
504692

504544

526637

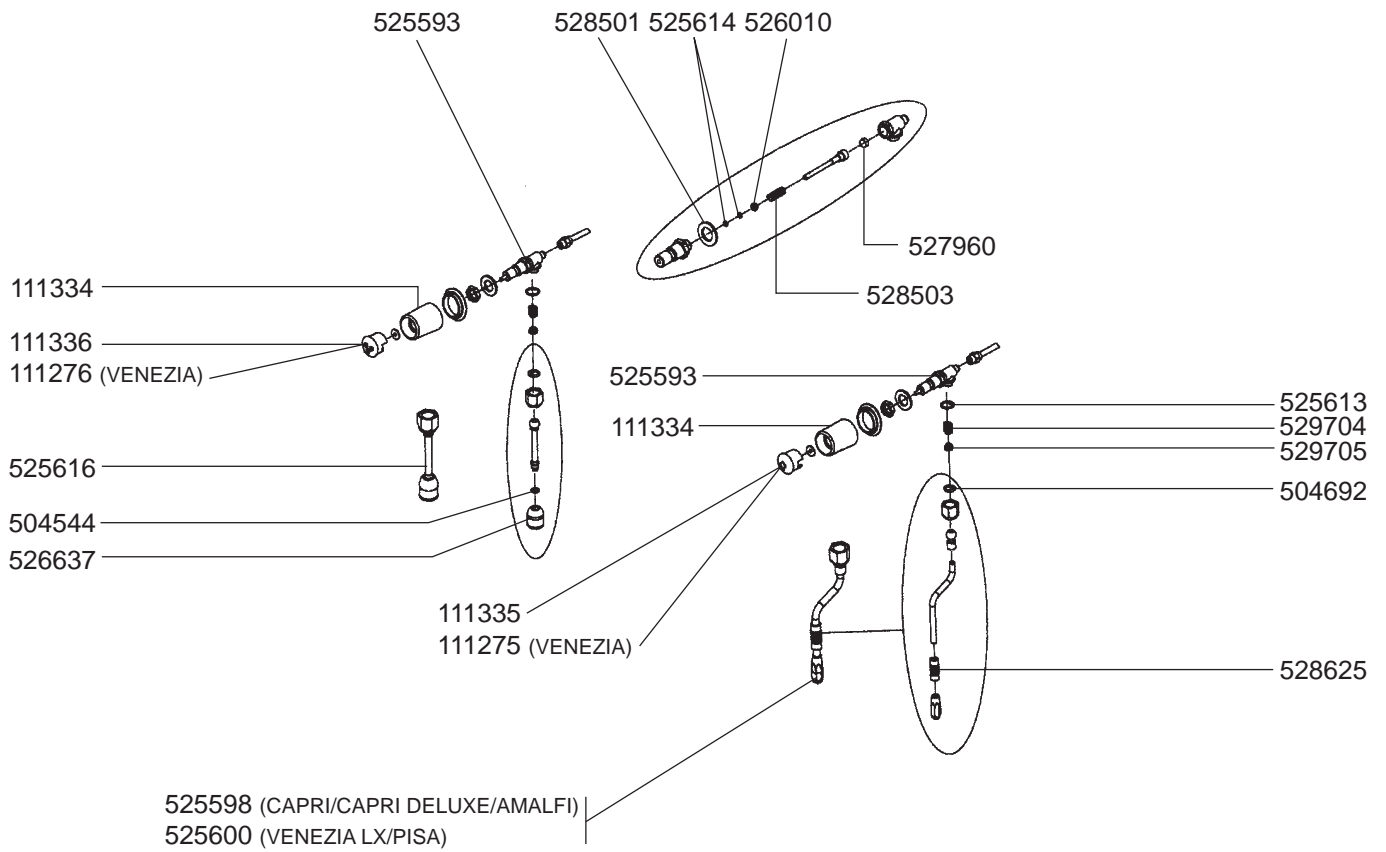
525613  
529704  
529705

525608

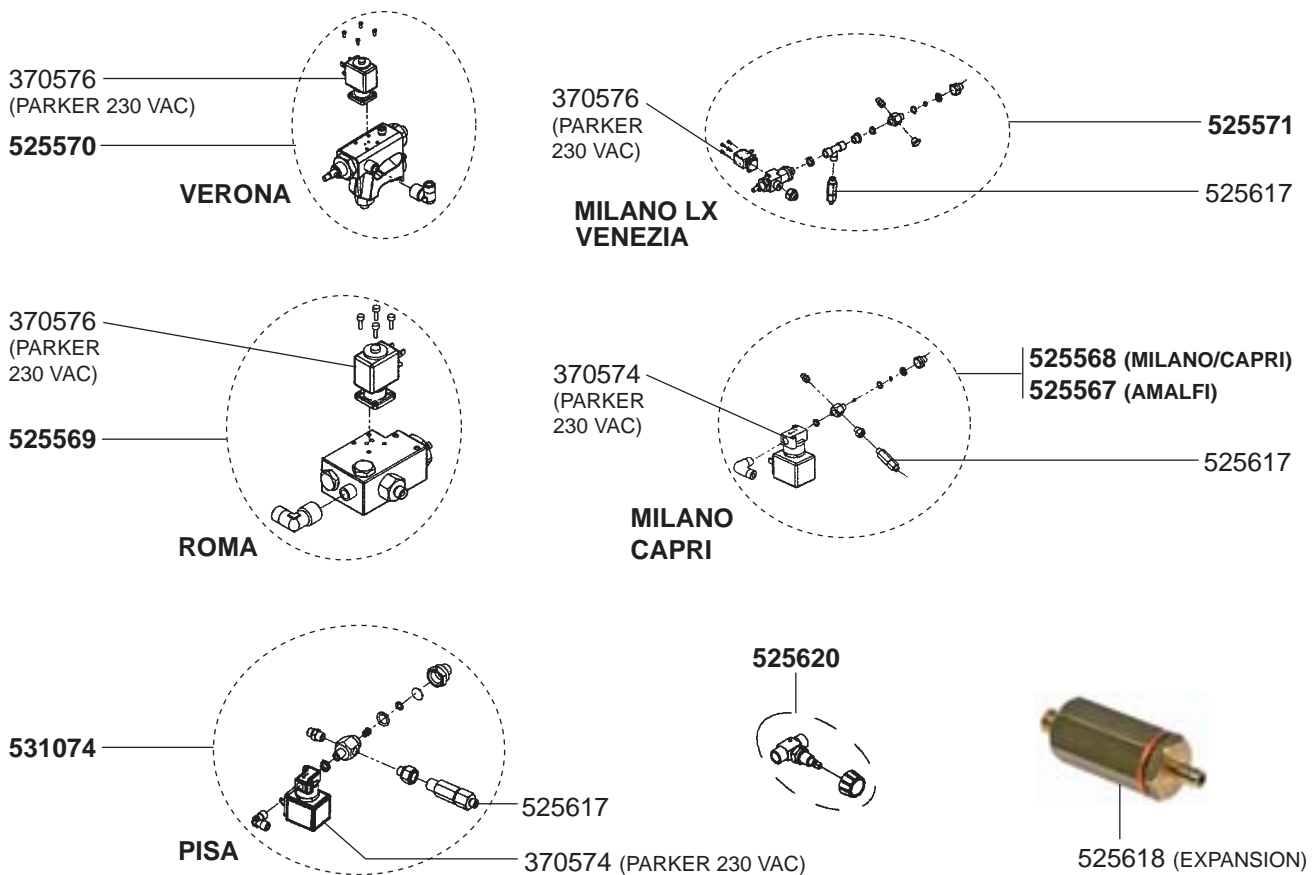
525042

525599 (VERONA/MILANO LX)  
525602 (ROMA)  
525601 (MILANO)

## STEAM/WATER TAPS CAPRI/CAPRI DELUXE/AMALFI/VENEZIA/VENEZIA LX



## VALVES

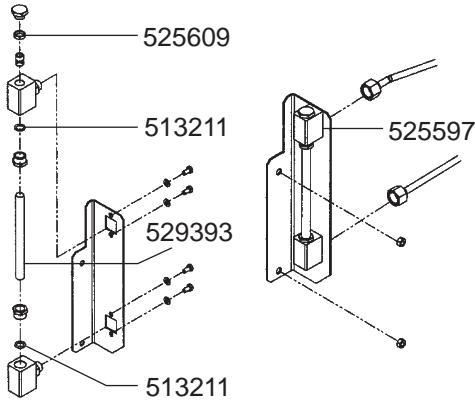


# SAN REMO – ESPRESSO MACHINES

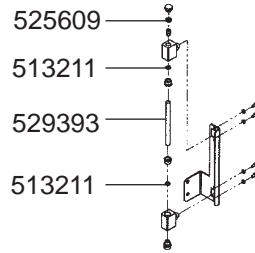
1  
ESPRESSO MACHINES

## LEVEL INDICATOR

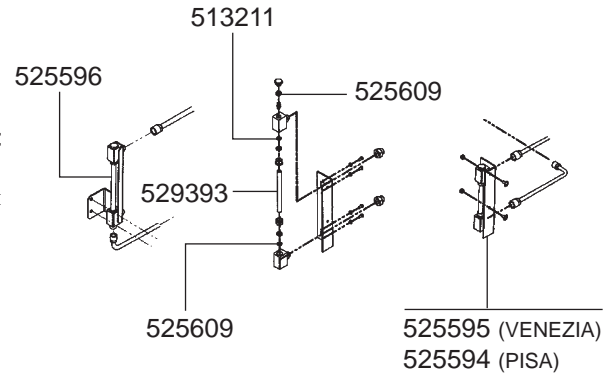
### VERONA



### MILANO



### VENEZIA



## BOILER/MANOMETERS/DRIP TRAYS VARIOUS

**529332 (3/8")**    **525619 (3/8")**    **529303 (1/4")**    **529304 (1/4")**    **529361 (1/4")**    **529349 (3/8")**

**400212 (L = 120 mm)**    **541731 (VERONA/MILANO/VENEZIA/PISA)**  
**400214 (L = 140 mm)**

**417378 (2 GR-230 VAC-2700 W)**  
**417379 (2 GR-230 VAC-4500 W)**  
**417380 (3 GR-230 VAC-5100 W)**  
**417377 (1 GR-230 VAC-1950 W)**

**525612**    **523014**    **417280 (230 VAC-1000 W)**    **532561**    **390311**    **379452**    **541729 (ROMA)**

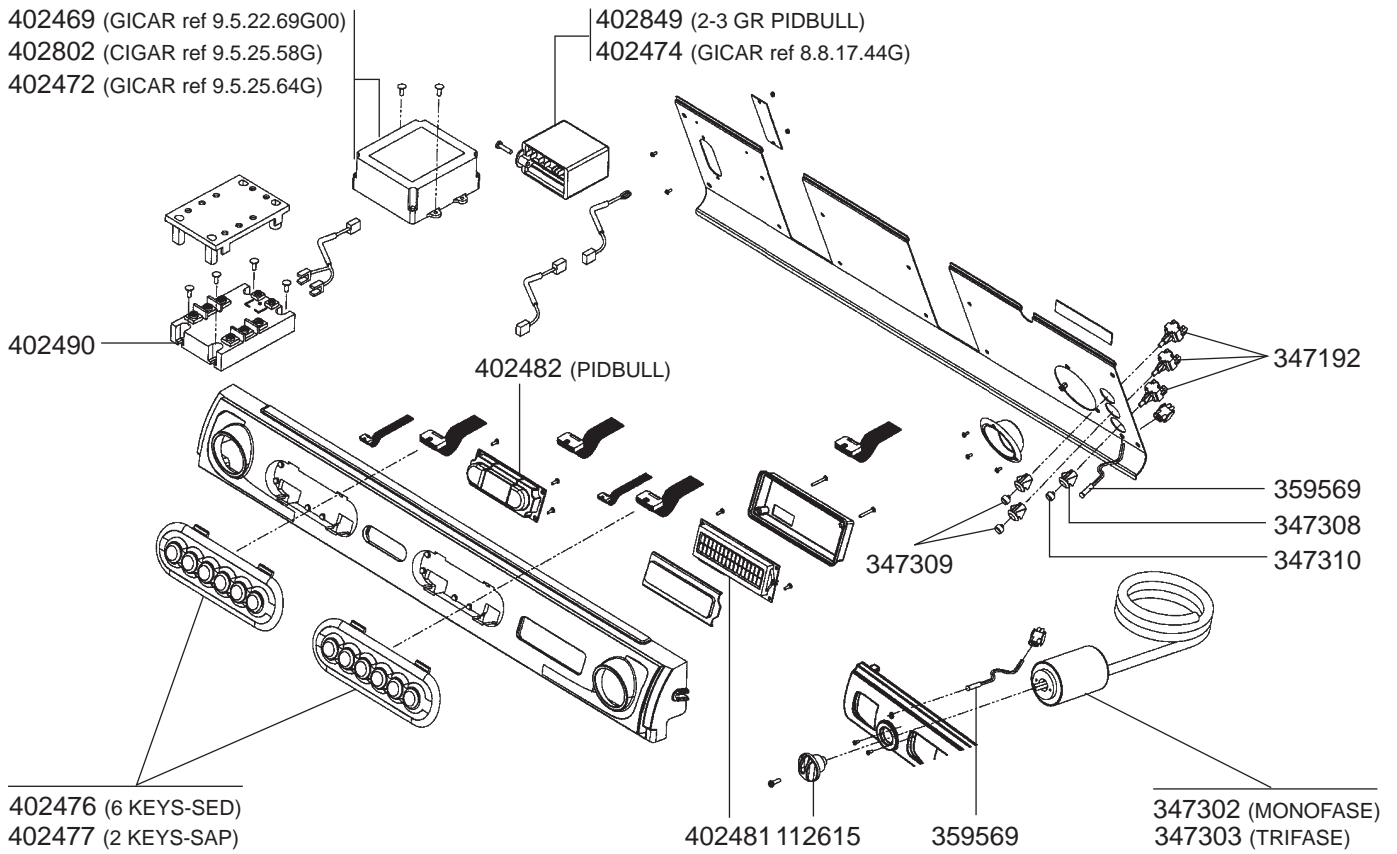
**VERONA**  
**ROMA**  
**CAPRI**  
**PISA**

**MILANO**  
**AMALFI**  
**VENEZIA**

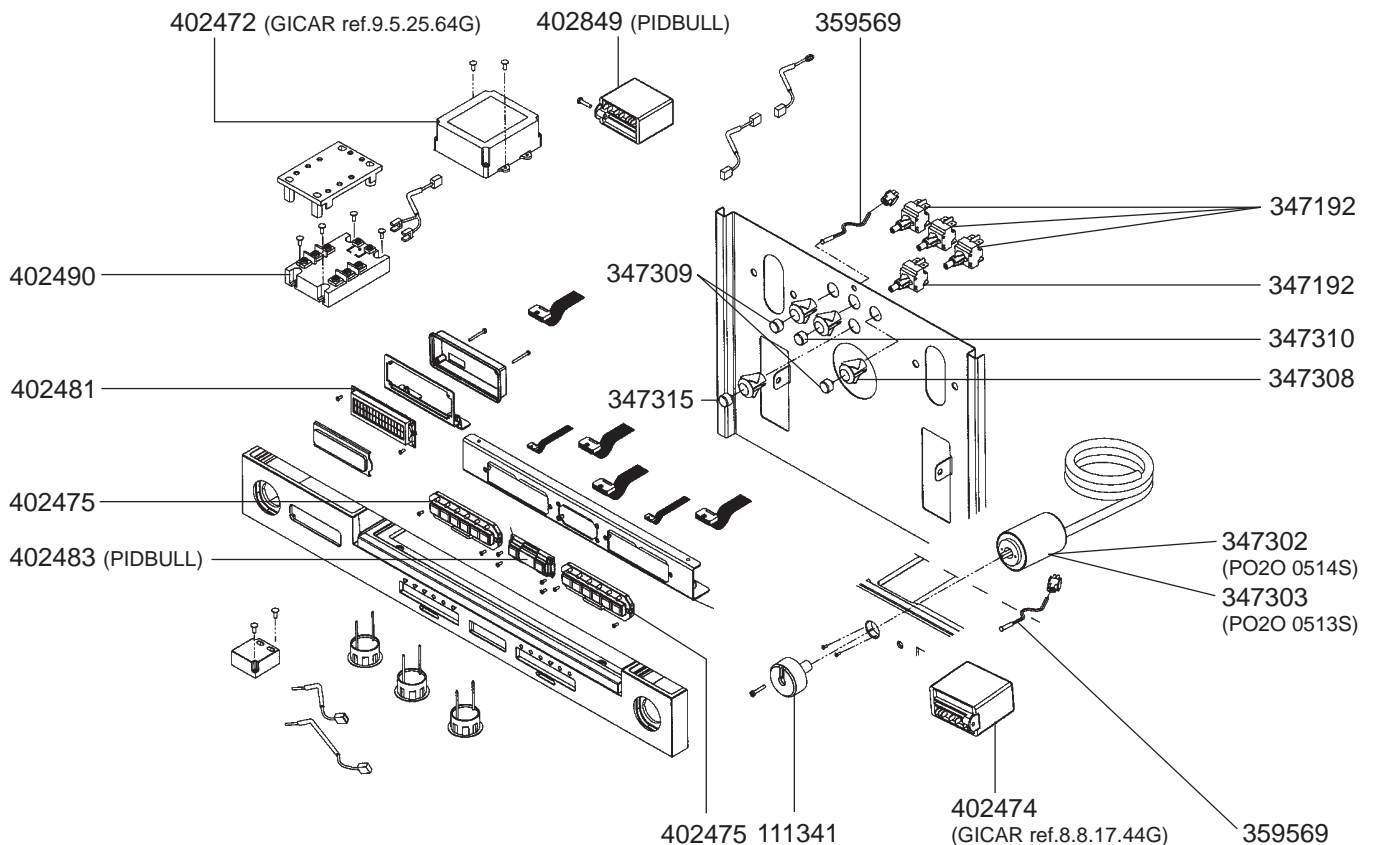
**525615**    **525605 (MILANO LX)**  
**525604**

**541730 (CAPRI/AMALFI)**

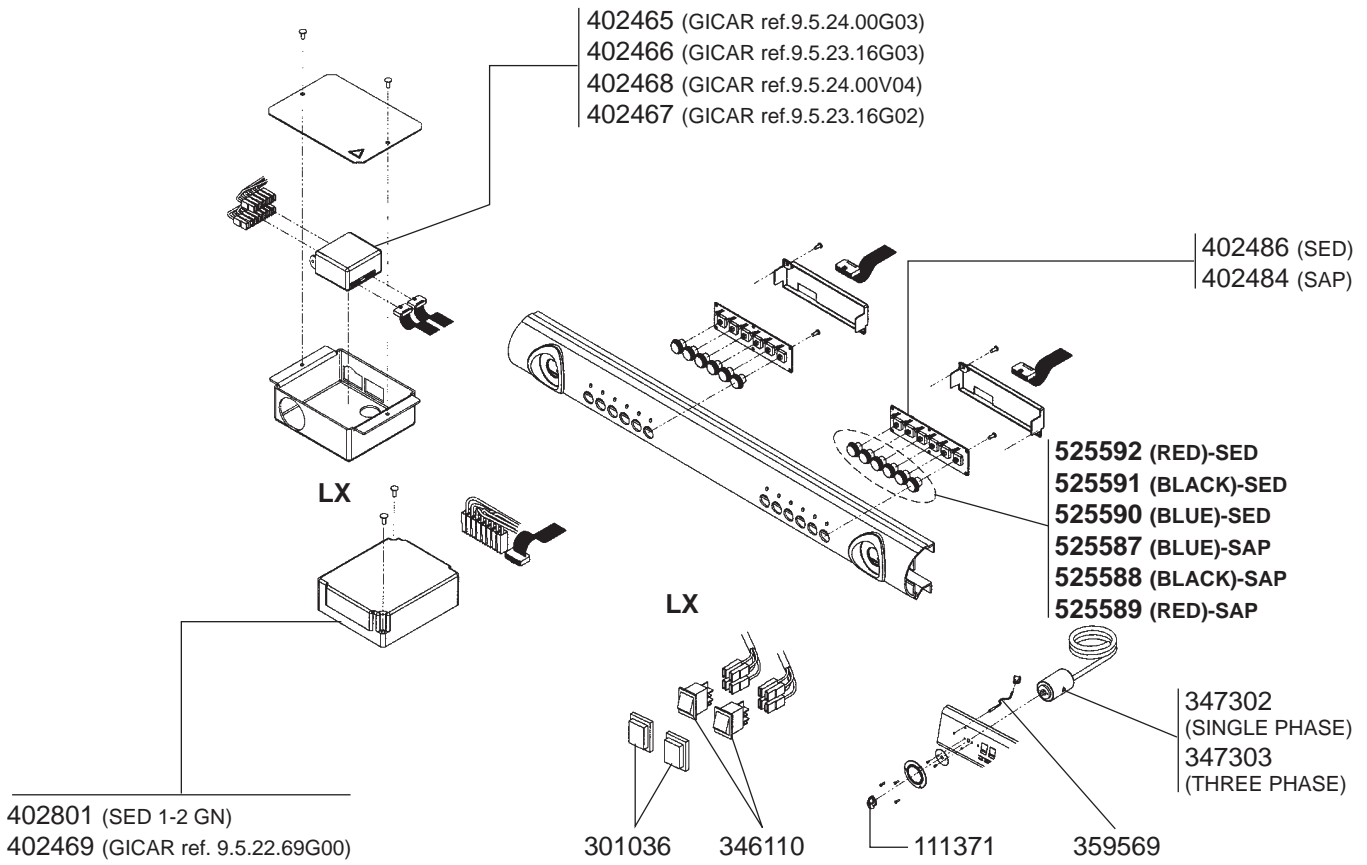
## ELECTRICAL COMPONENTS VERONA



## ELECTRICAL COMPONENTS ROMA

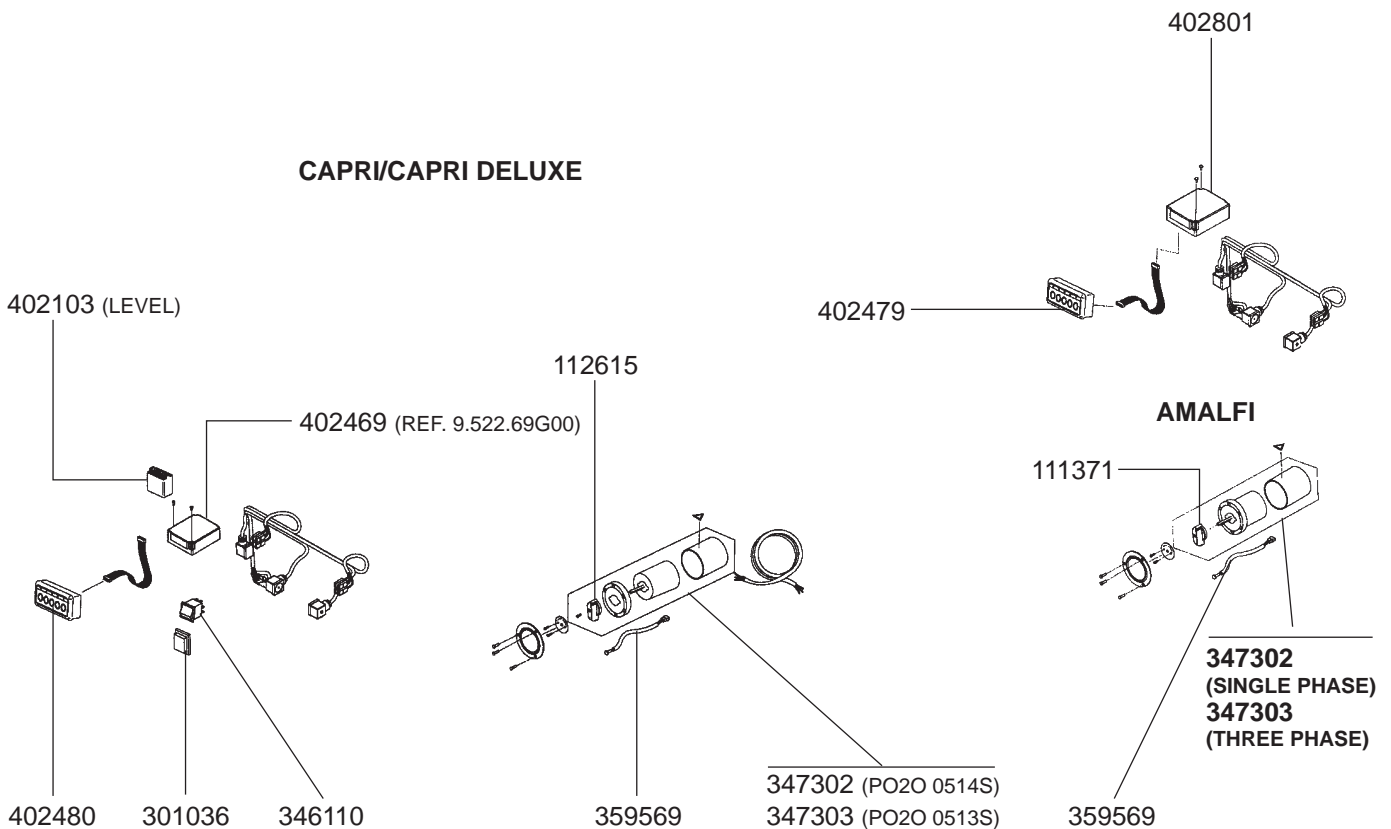


## ELECTRICAL COMPONENTS MILANO

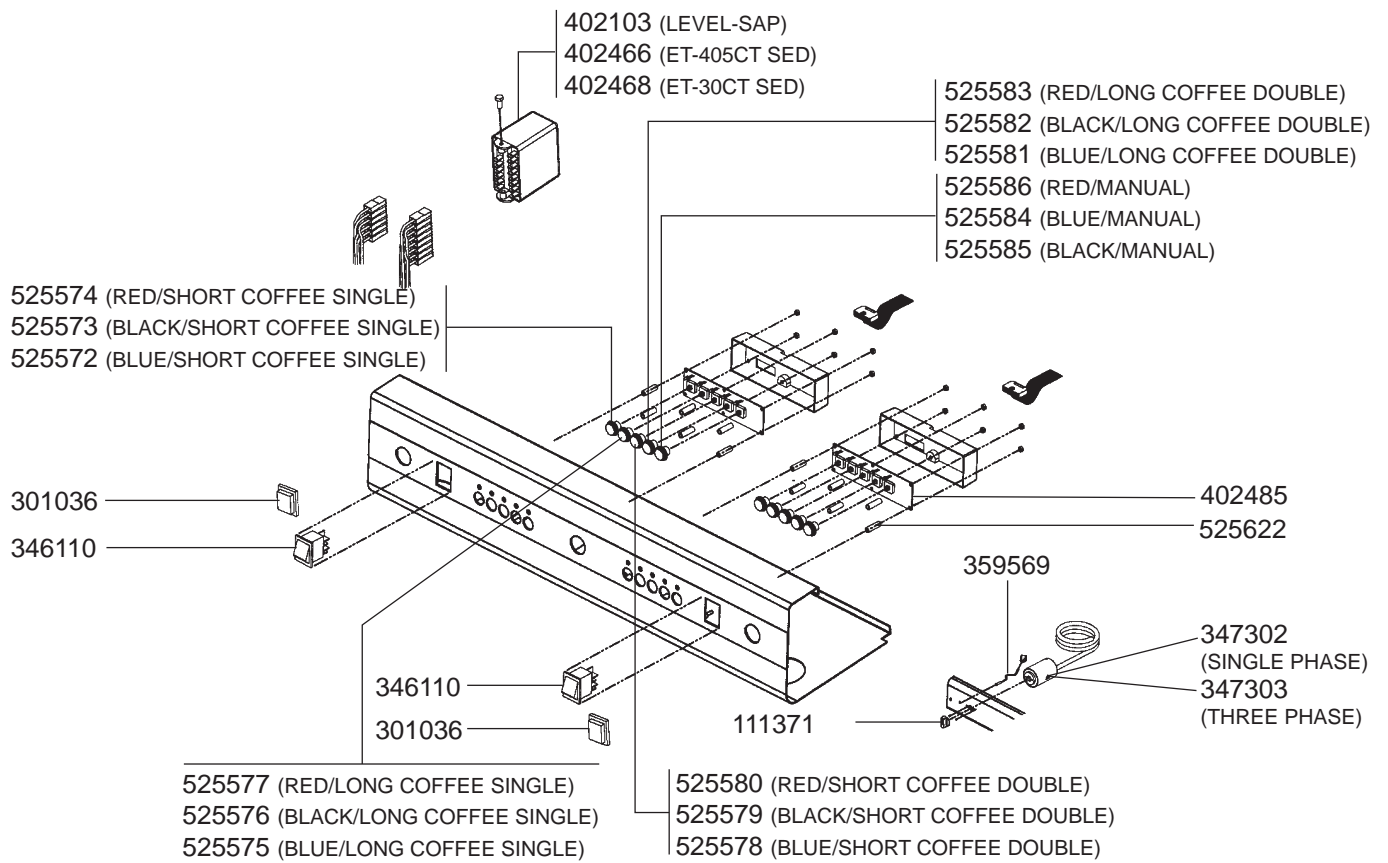


## ELECTRICAL COMPONENTS CAPRI/CAPRI DELUXE/AMALFI

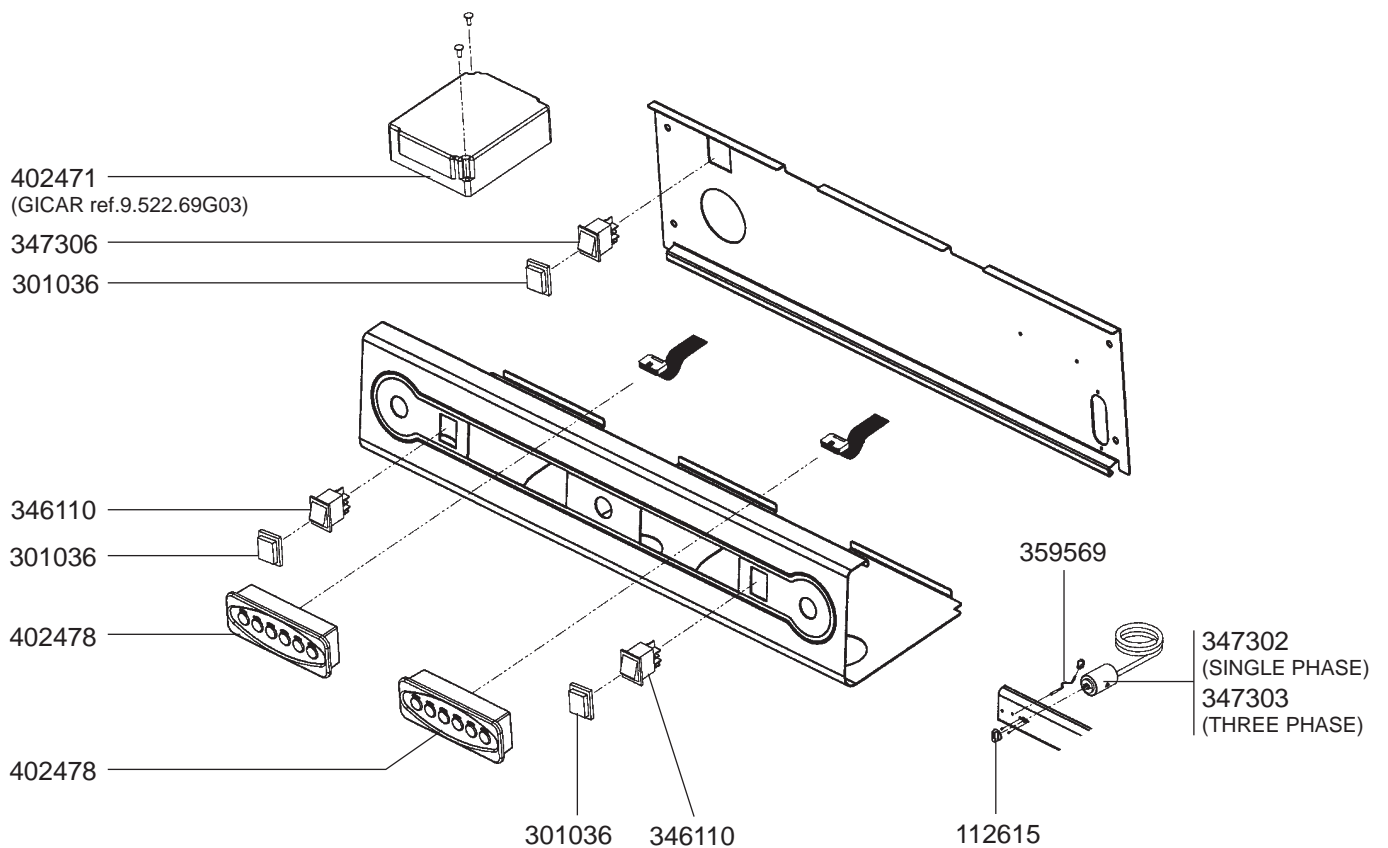
### CAPRI/CAPRI DELUXE



## ELECTRICAL COMPONENTS VENEZIA



## ELECTRICAL COMPONENTS PISA



## ELECTRICAL COMPONENTS VARIOUS



400004



400256



400257



400258



541021  
(SIRAI, 30 AMP, 3 POLES)



541724  
(SIRAI, 20 AMP, 3 POLES)



541723  
(SIRAI, 20 AMP, 2 POLES)



541453  
(PARKER)



370057 (PARKER 230 VAC)  
370053 (LUCIFER 230 VAC)



370062 (PARKER)  
370061 (LUCIFER)



370206 (PARKER 230 VAC-1/18")  
370072 (LUCIFER 230 VAC-1/18")



371029 (PARKER 230 VAC)  
371031 (LUCIFER 230 VAC)



371091



371090

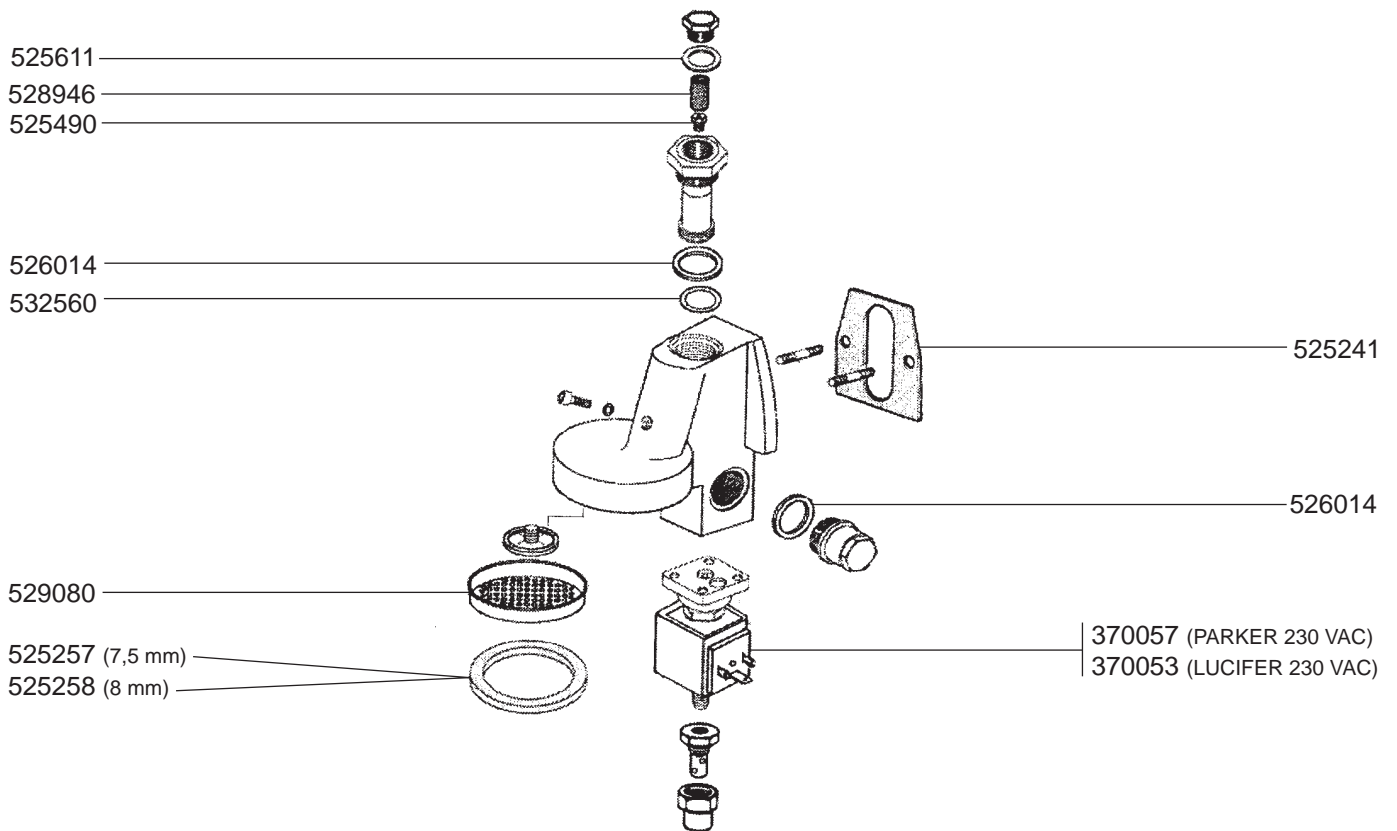


371095  
(VITON)

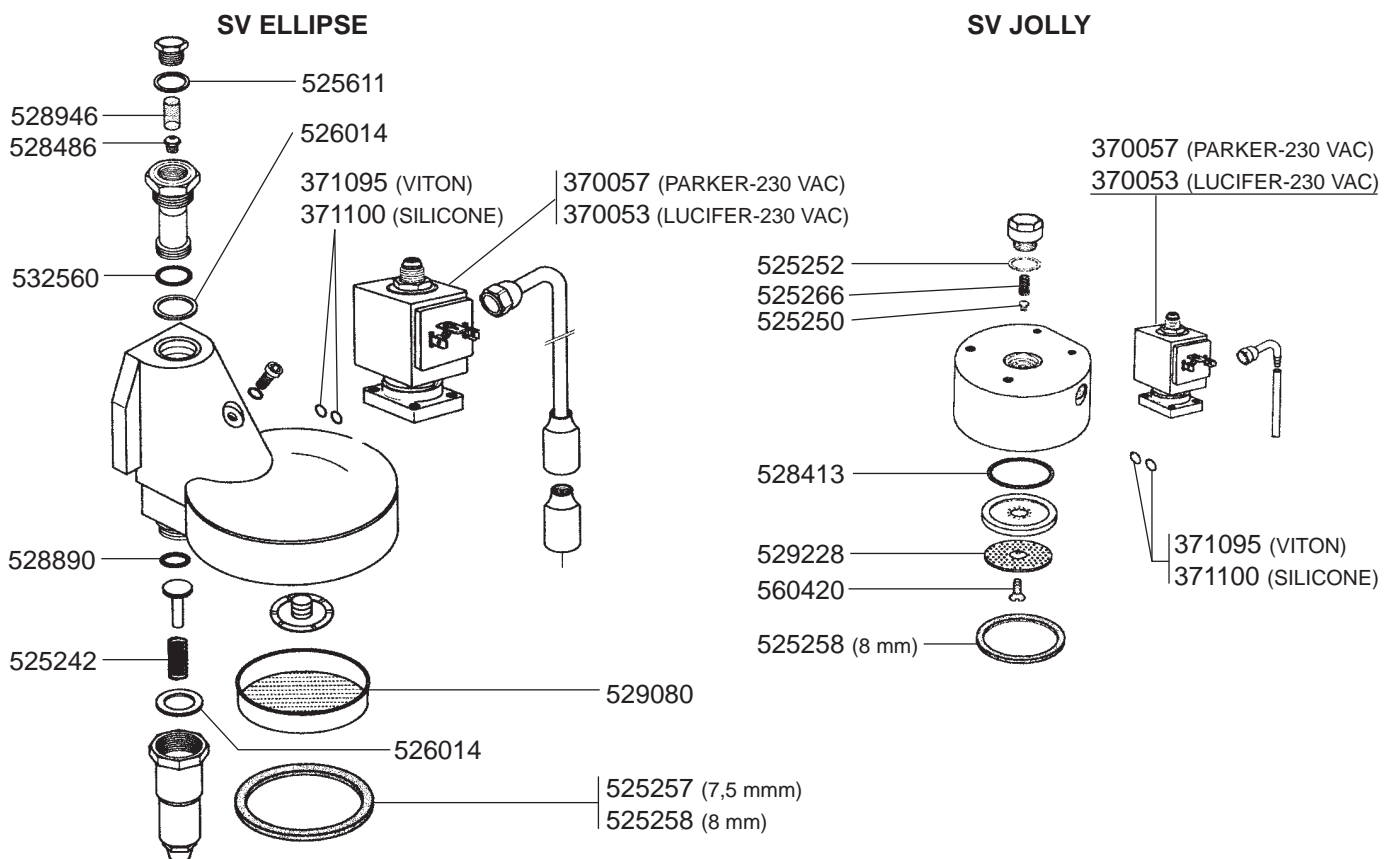


371100  
(SILICONE)

## GROUP SV MODERNA PULSANTE/SV ELECTRONIC E96



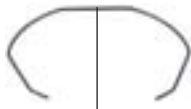
## GROUP SV ELLIPSE/SV JOLLY



## FILTER HOLDERS



525265



529065 (Ø 1,1 mm)  
525956 (Ø 1,2 mm)  
529079 (Ø 1,3 mm)



525267 (6 GR)  
525268 (7 GR)



529014 (12 GR)  
529013 (14 GR)



529102



802025  
(Ø 53/57 mm)



802104  
(Ø 49/53 mm)



802103  
(PLASTIC)



802020  
(STAINLESS STEEL)



529063



529001



529003



529004



529007



527634



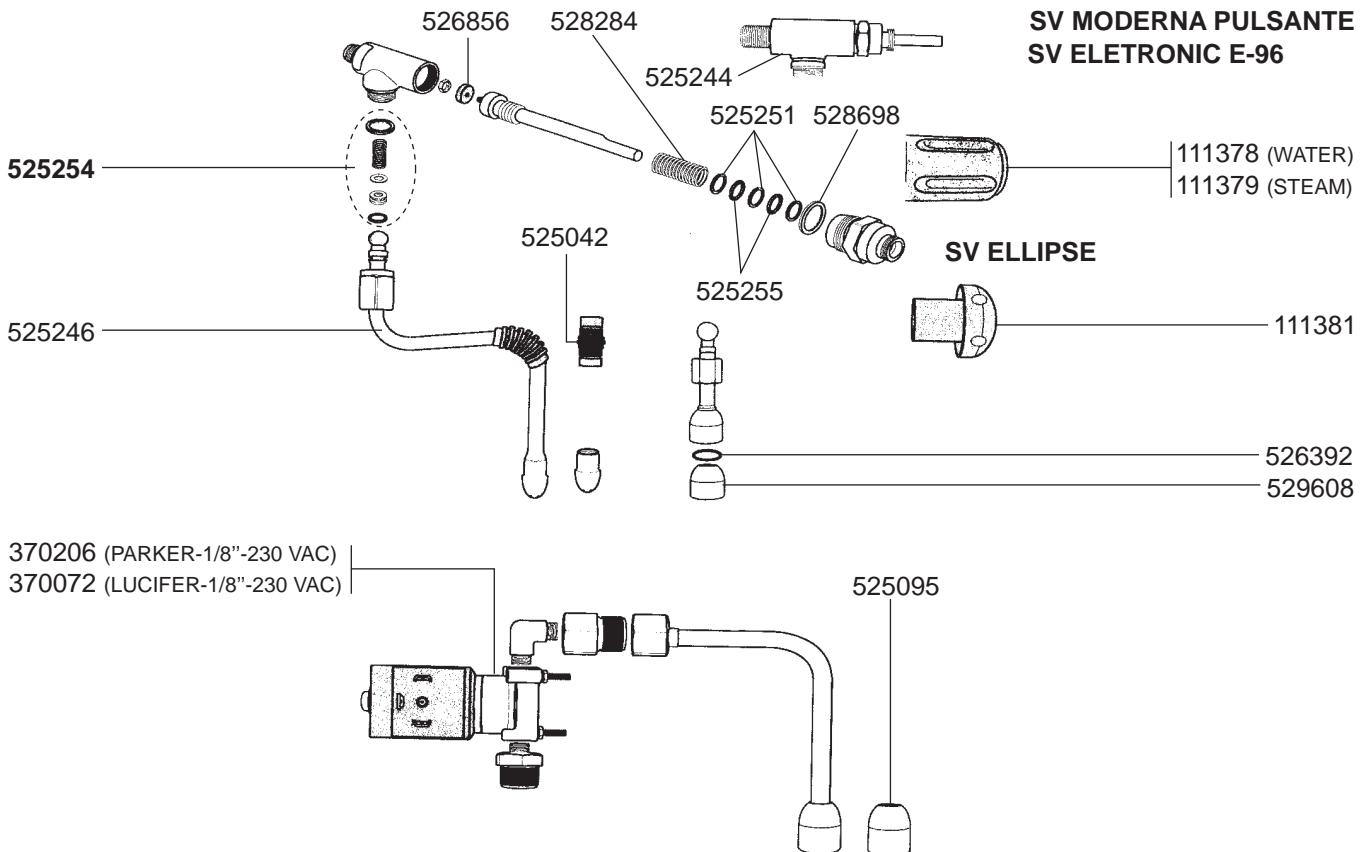
529894



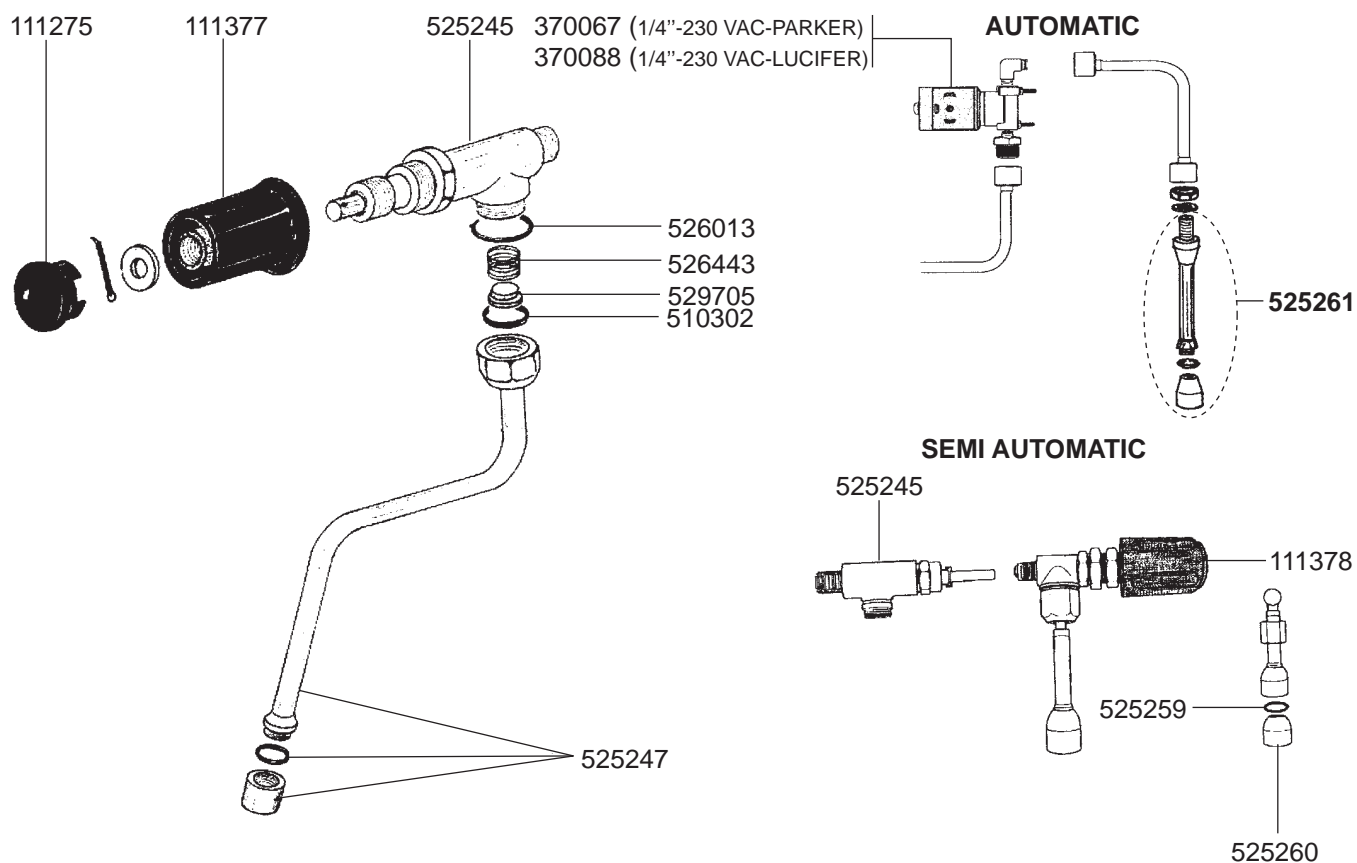
529161 (ADJUSTABLE)

## STEAM/WATER TAPS SV MODERNA PULSANTE/SV ELECTRONIC E96/SV ELLIPSE

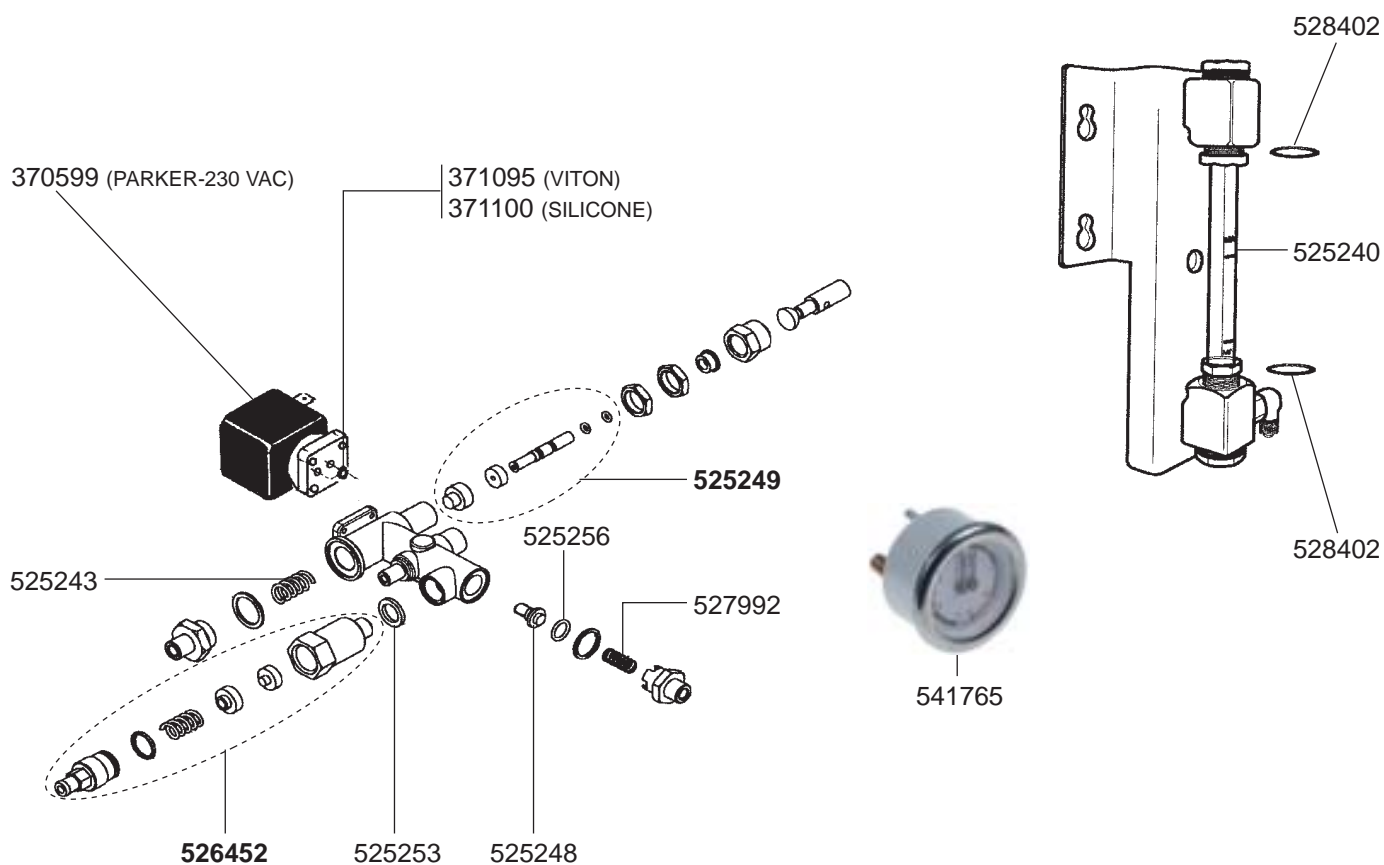
**SV MODERNA PULSANTE  
SV ELETRONIC E-96**



STEAM/WATER TAPS SV JOLLY



VALVES/LEVEL INDICATOR/MANOMETER



## BOILER VARIOUS



## ELECTRICAL COMPONENTS SV ELECTRONIC E96/SV MODERNA PULSANTE/SV JOLLY

### SV ELETTRONICA E96



### SV MODERNA PULSANTE

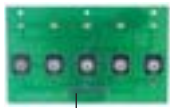


### SV JOLLY



ELECTRICAL COMPONENTS SV ELLIPSE

SV ELLIPSE



402664



402660



402659



402662



402661



402658



402663



402657



402672  
(AUTOMATIC)



402673  
(SEMI-AUTOMATIC)



402665



346397



111369



347389

ELECTRICAL COMPONENTS VARIOUS



400004



400256



400257



400258



541021  
(SIRAI, 30 AMP,  
3 POLES)



541724  
(SIRAI, 20 AMP,  
3 POLES)



541723  
(SIRAI, 20 AMP,  
2 POLES)



541453  
(PARKER)



370057  
(PARKER 230 VAC)  
370053  
(LUCIFER 230 VAC)



370062  
(PARKER)  
370061  
(LUCIFER)



370206  
(PARKER 230 VAC 1/8")  
370072  
(LUCIFER 230 VAC 1/8")



371029  
(PARKER 230 VAC)  
371031  
(LUCIFER 230 VAC)



371091



371090

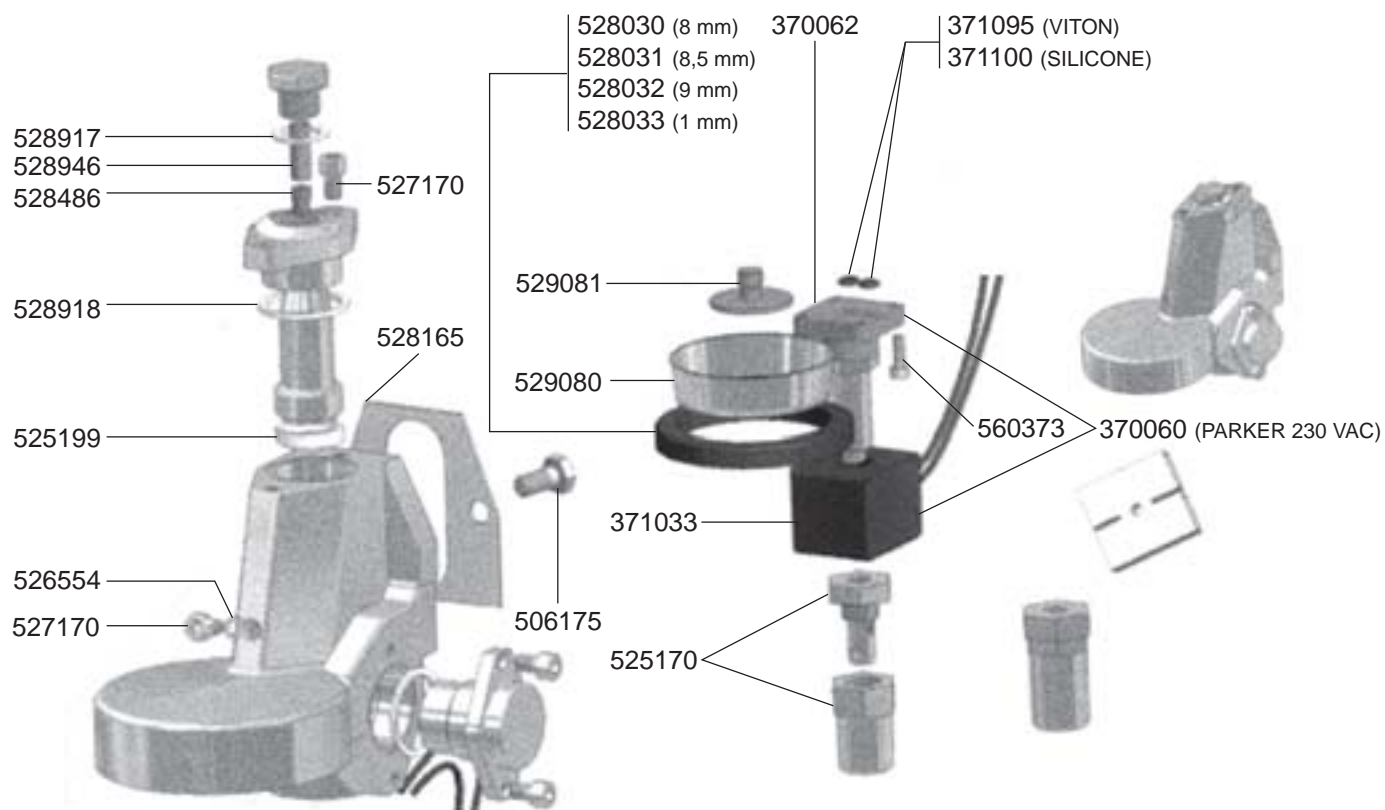


371095  
(VITON)

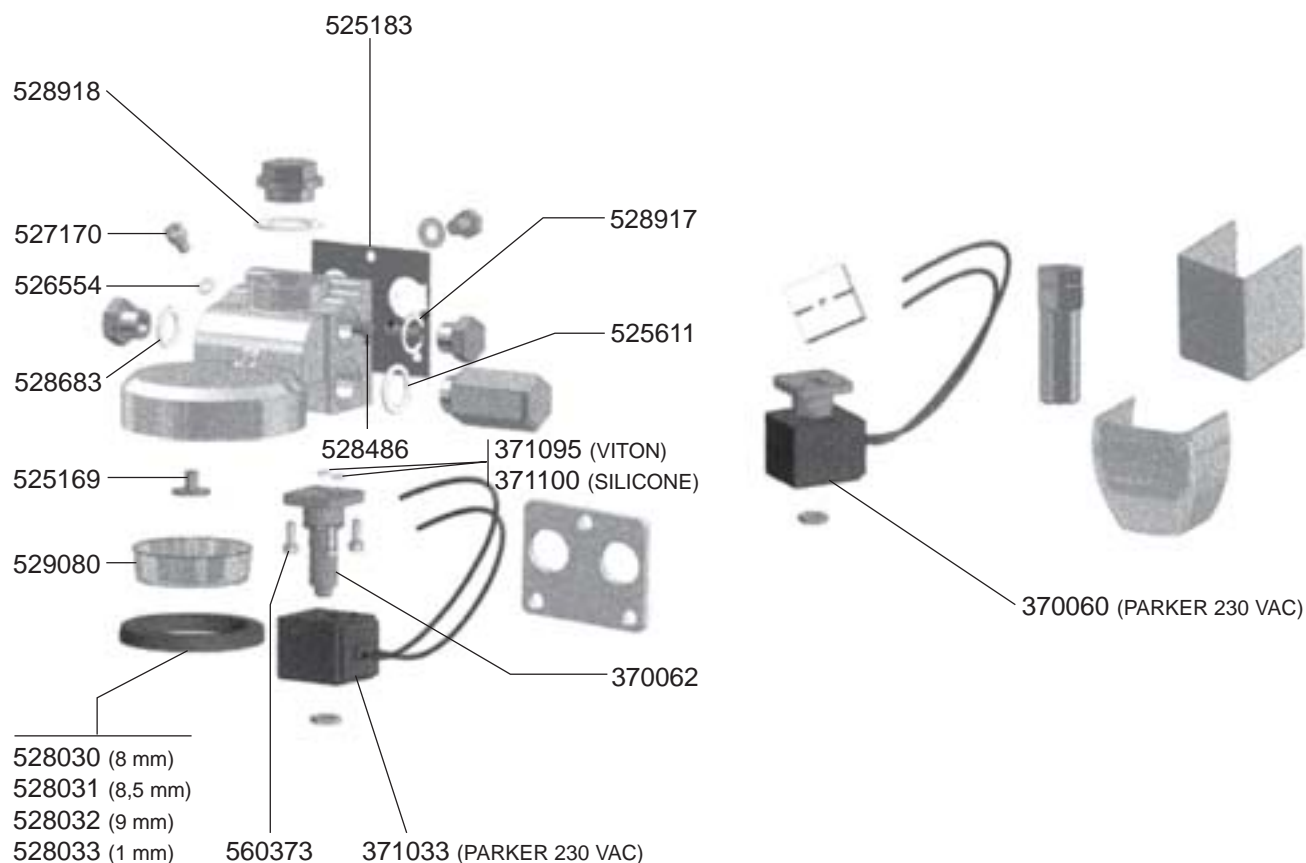


371100  
(SILICONE)

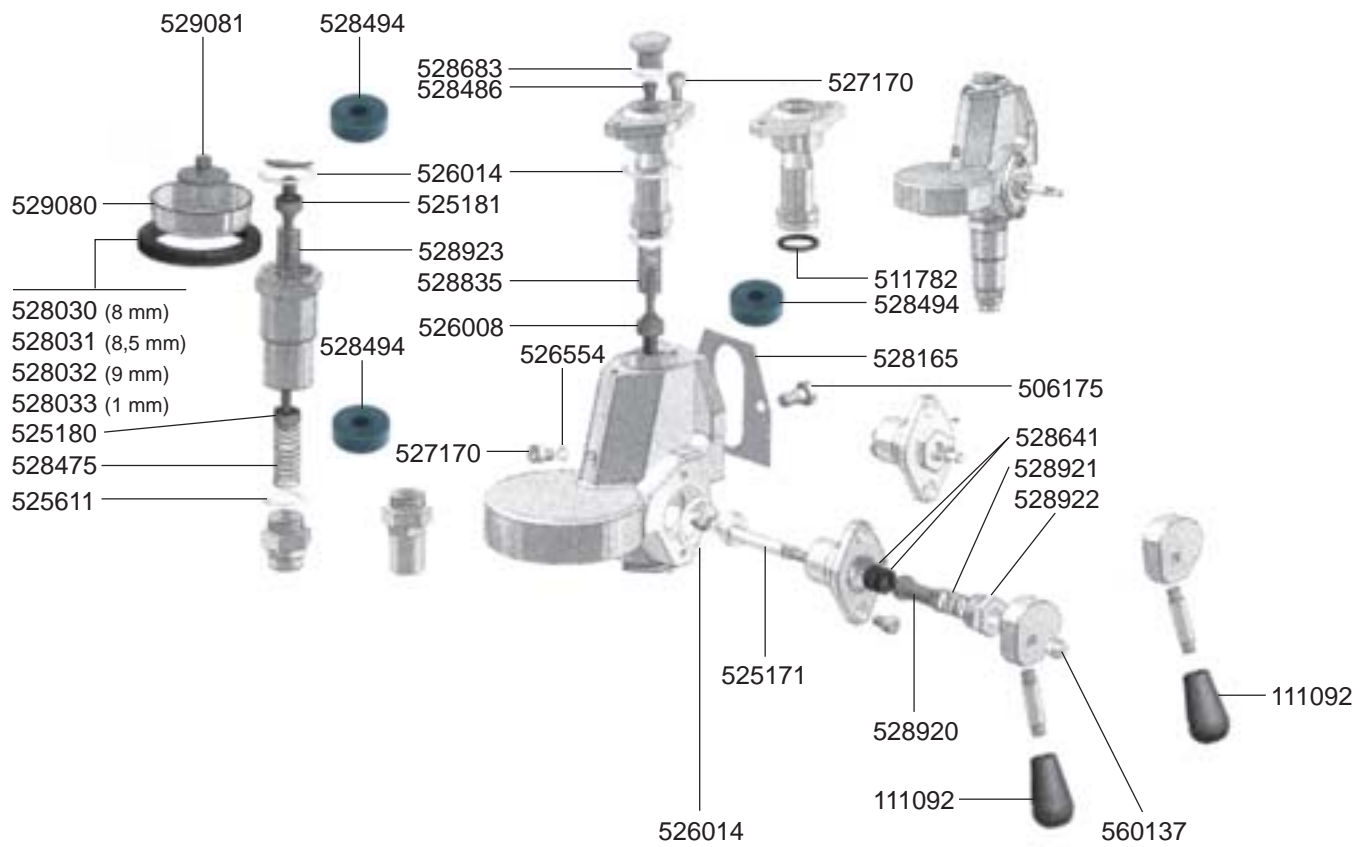
## SOLENOID GROUP



## SOLENOID GROUP



## MANUAL GROUP



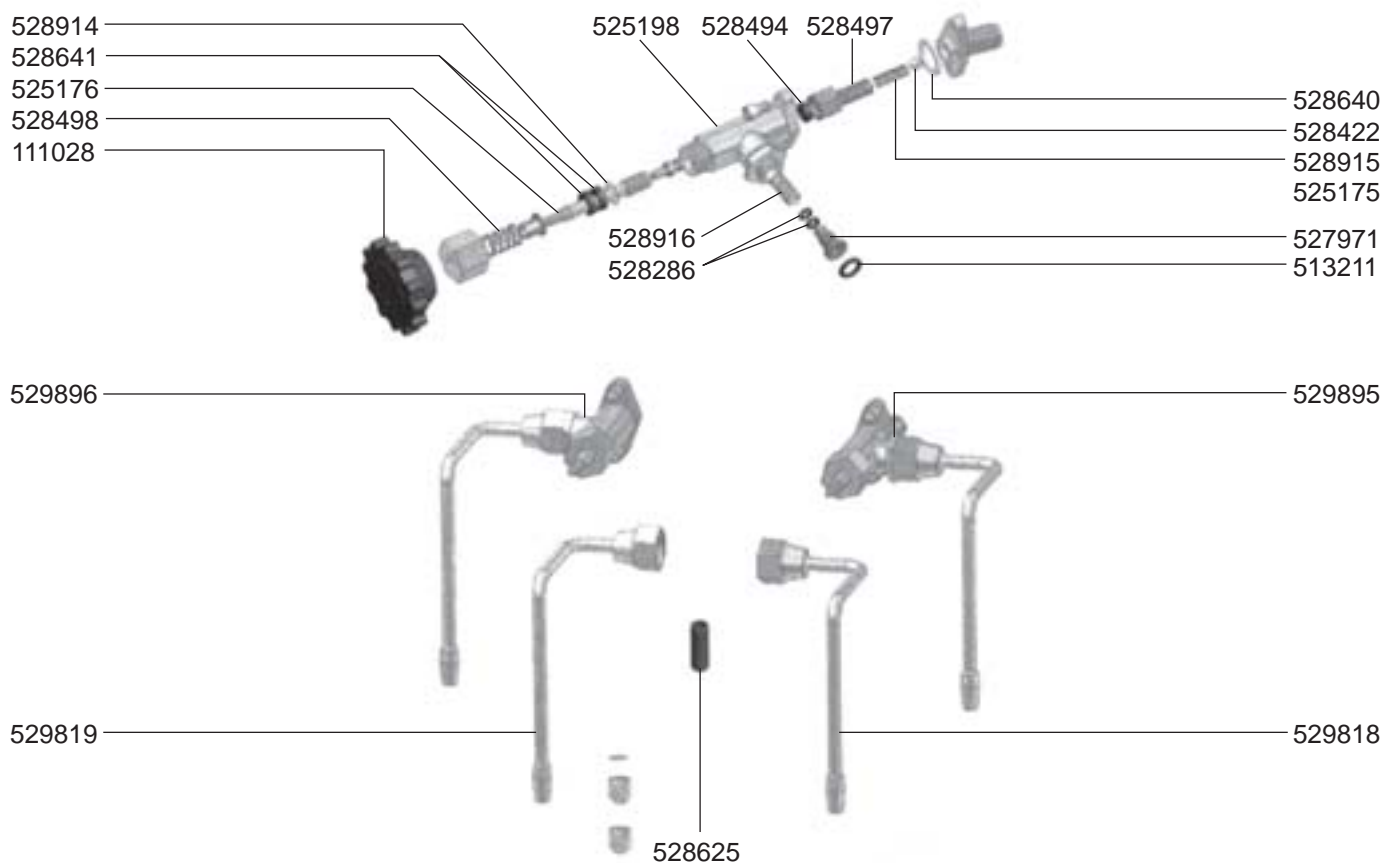
## FILTER HOLDERS



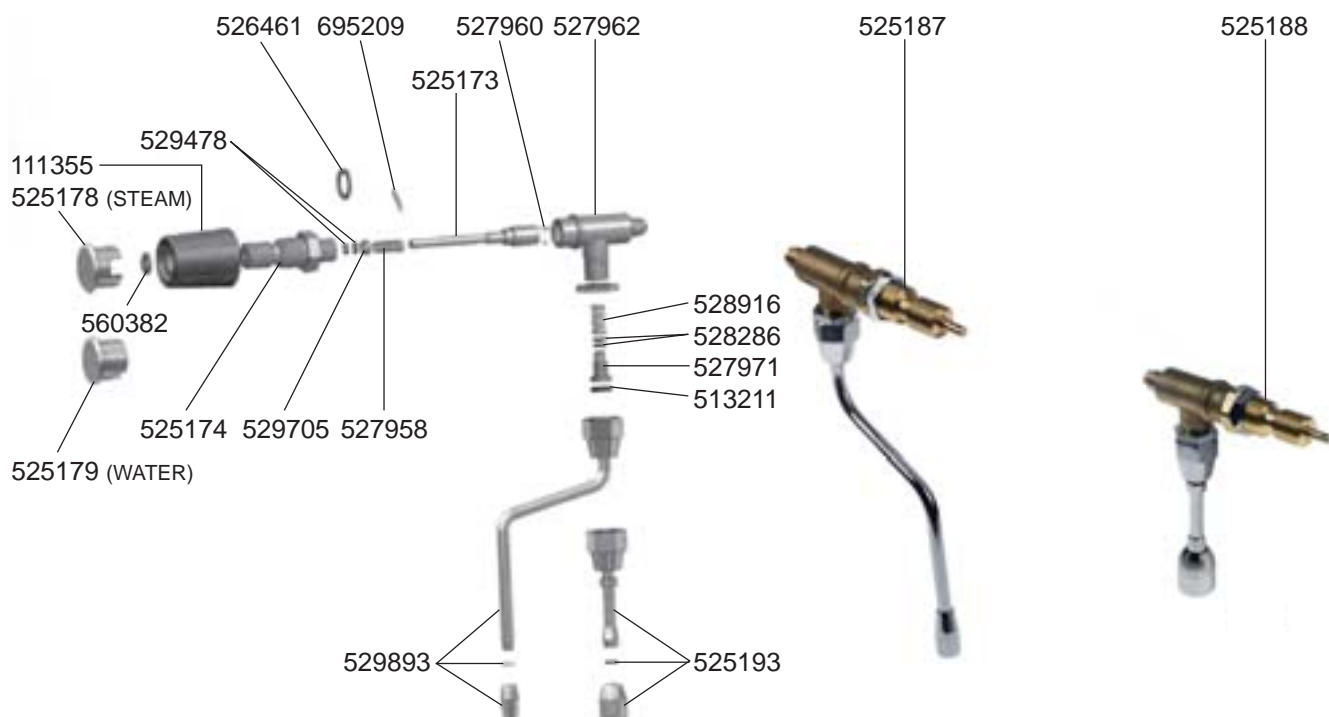
# VIBIEMME – ESPRESSO MACHINES

1  
ESPRESSO MACHINES

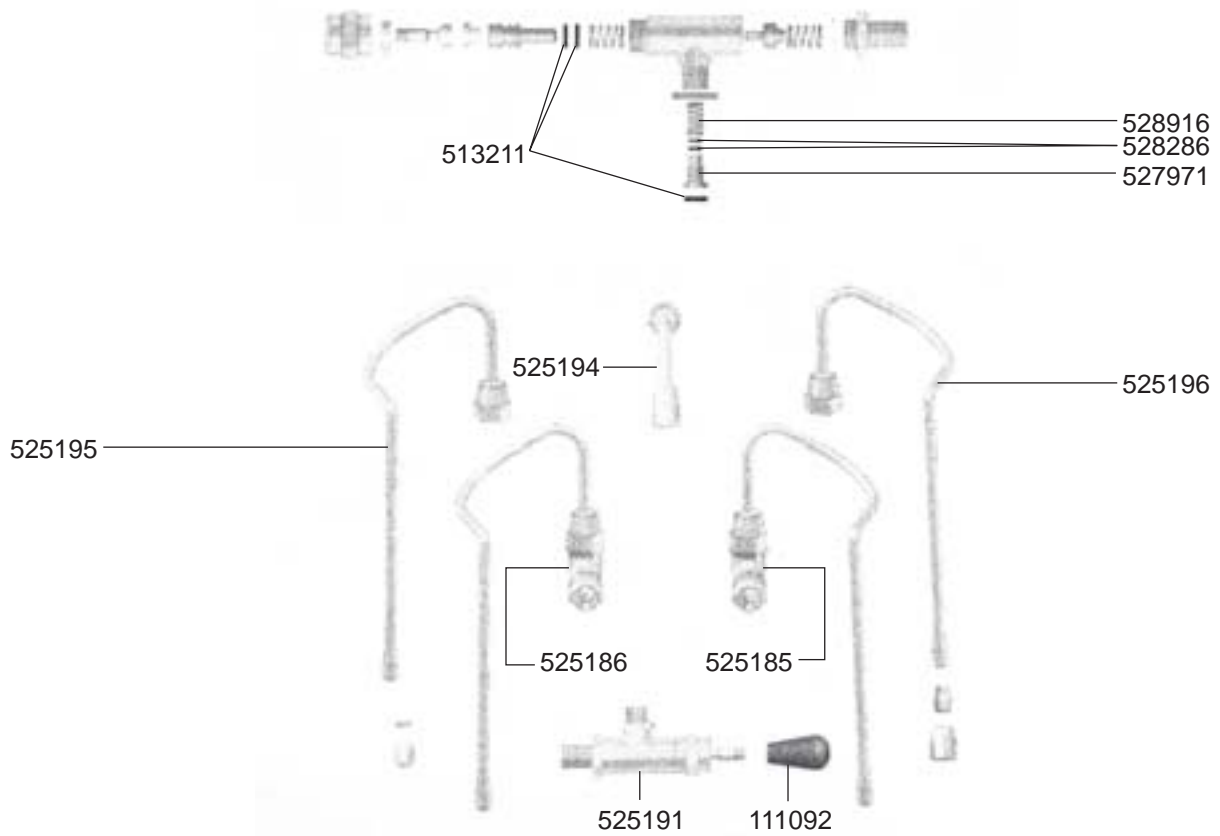
## STEAM/WATER TAPS REPLIC/CHIMAERA/CUBO



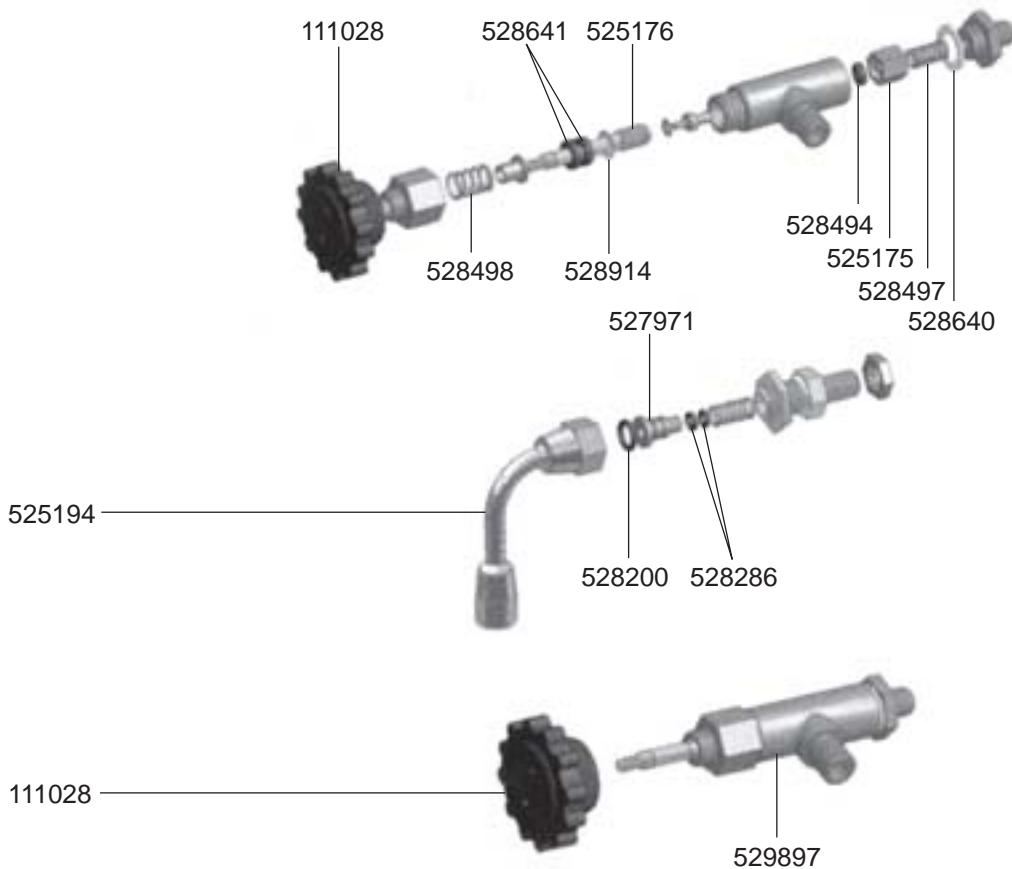
## STEAM/WATER TAPS R-EVOLUTION/MINIMAX



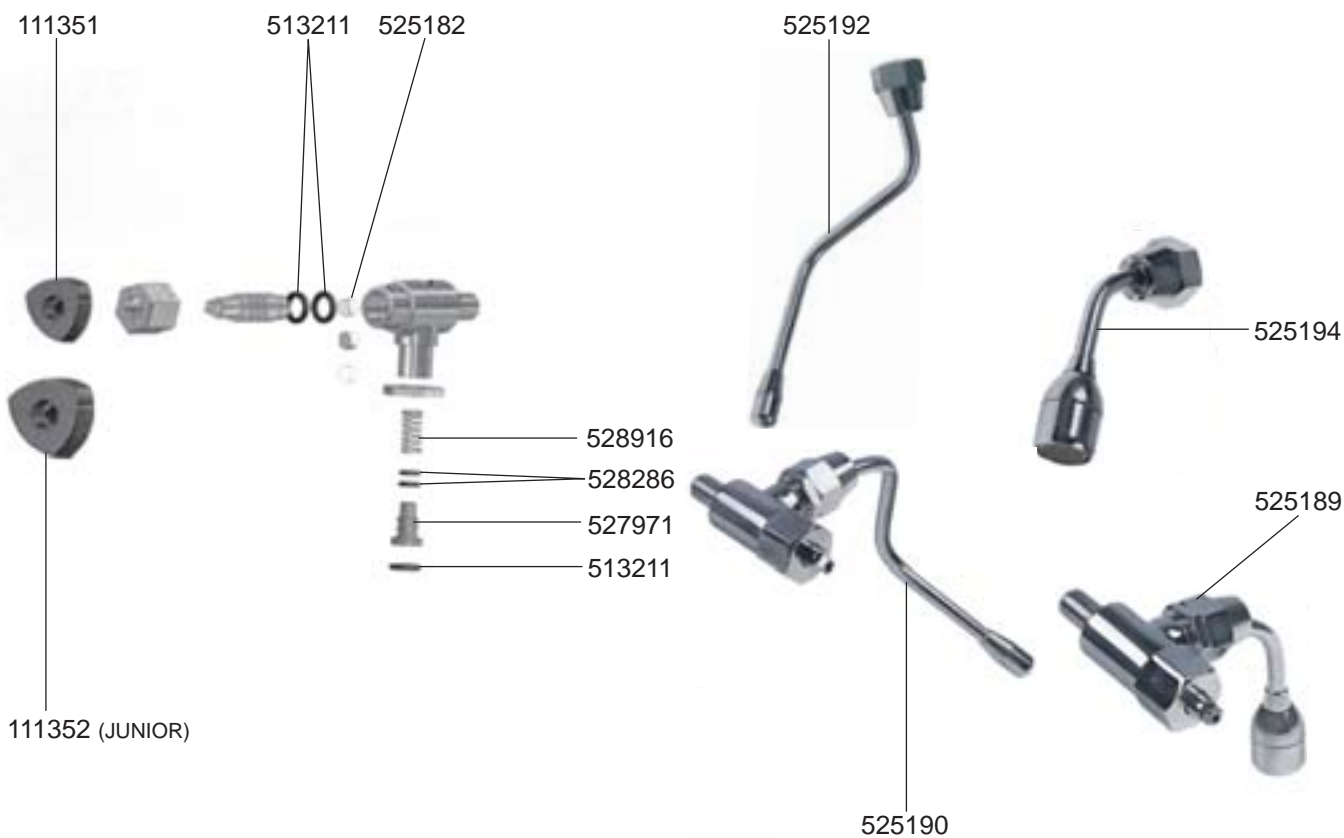
STEAM/WATER TAPS LOLLO



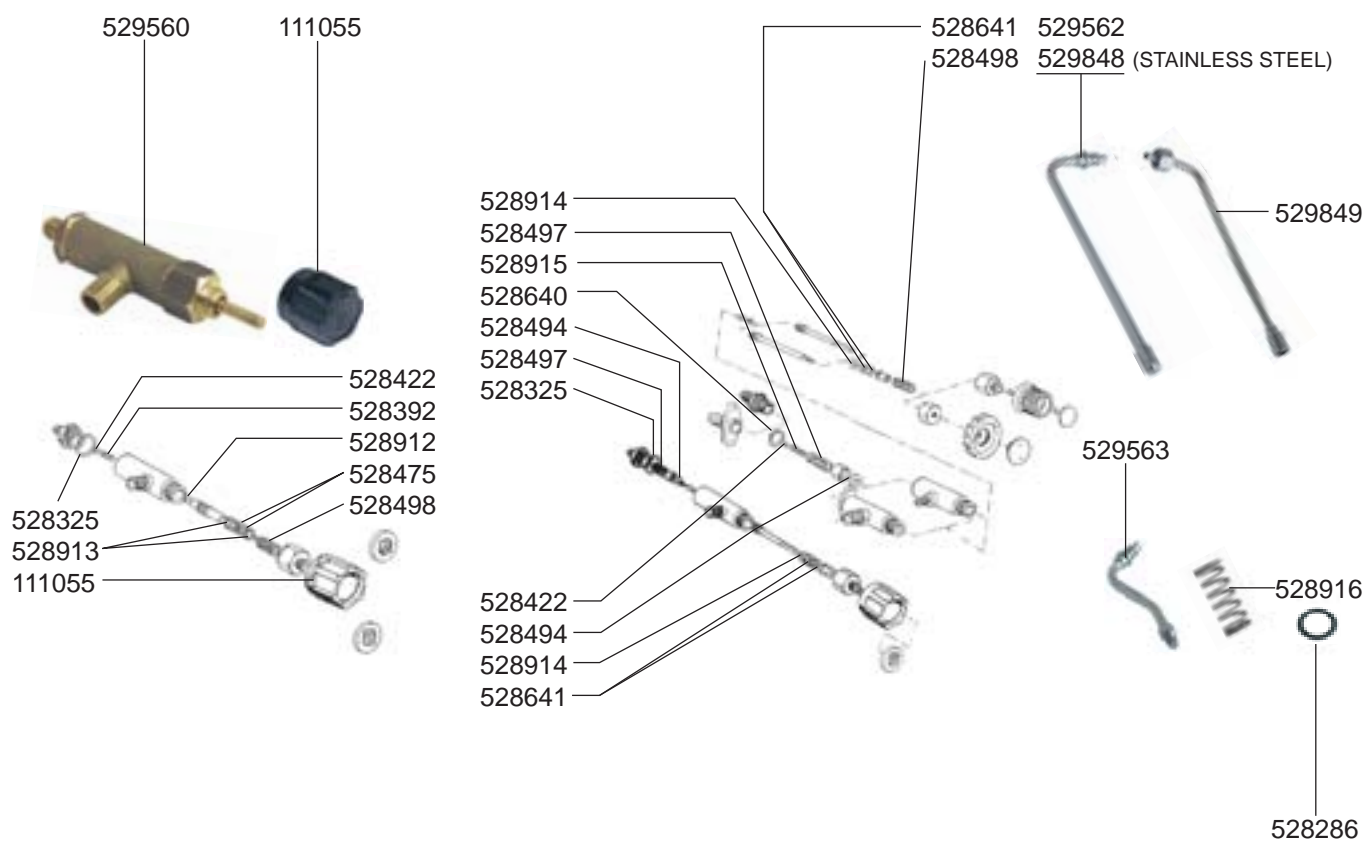
STEAM/WATER TAPS CUBO/REPLICA



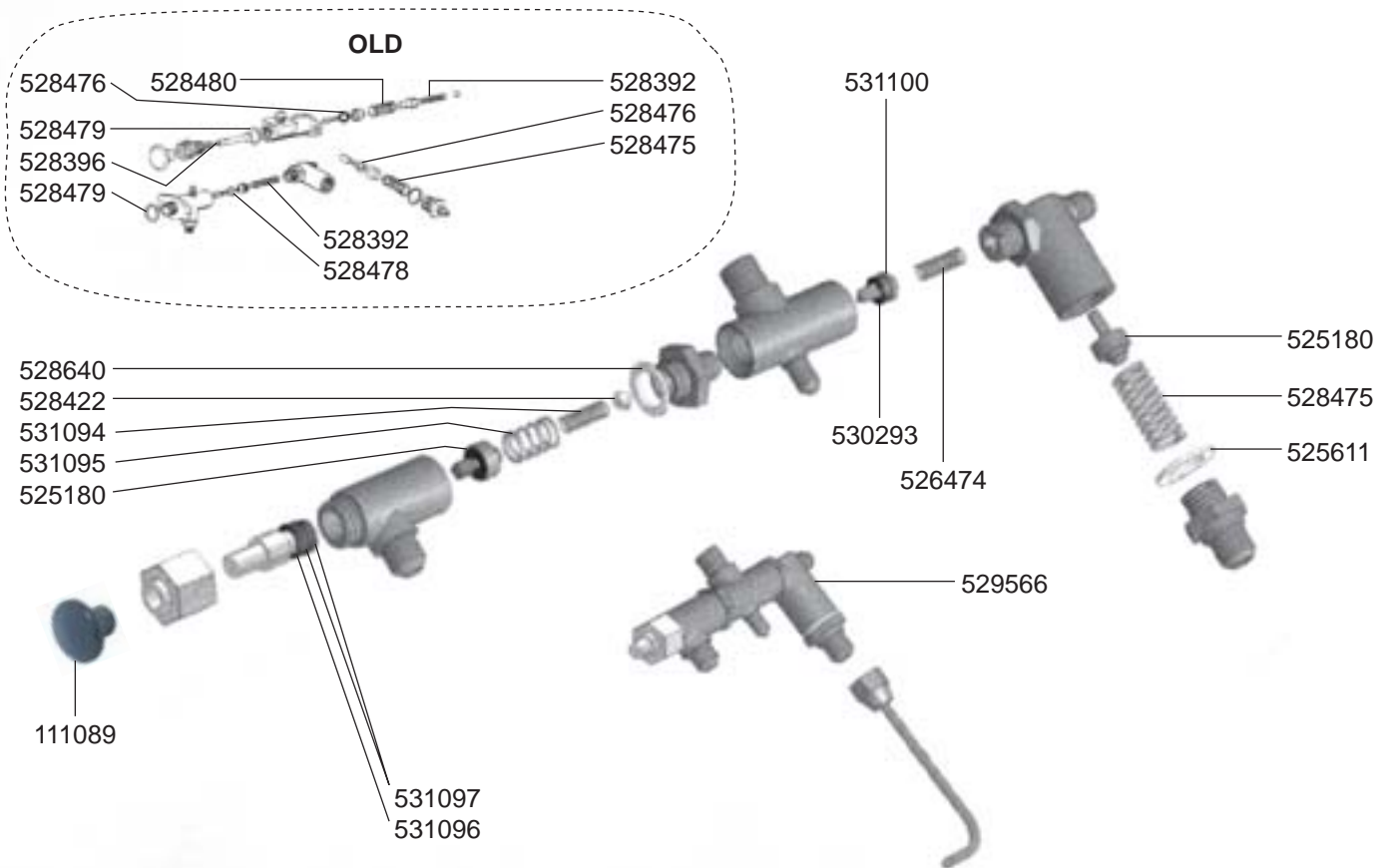
## STEAM/WATER TAPS DOMOBAR



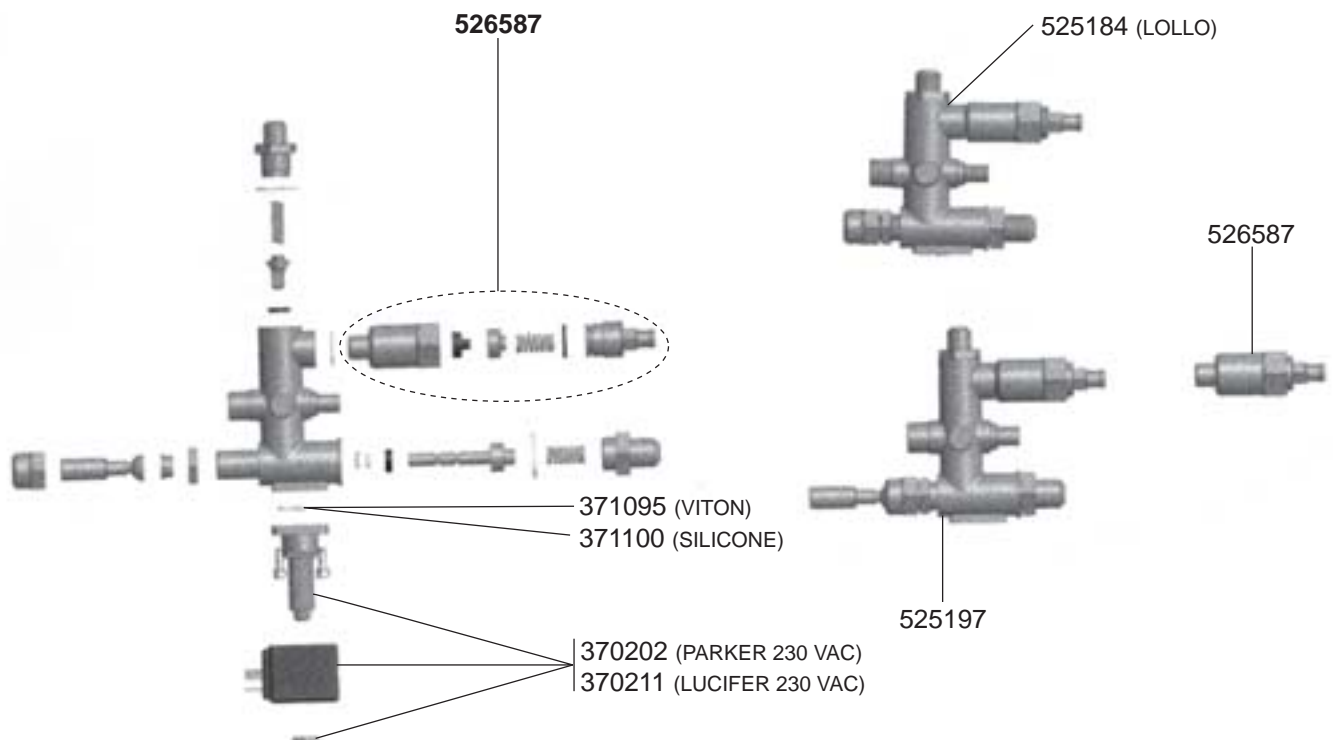
## STEAM/WATER TAPS OLD MODELS



VALVES REPLICA/MINIAX/CUBO



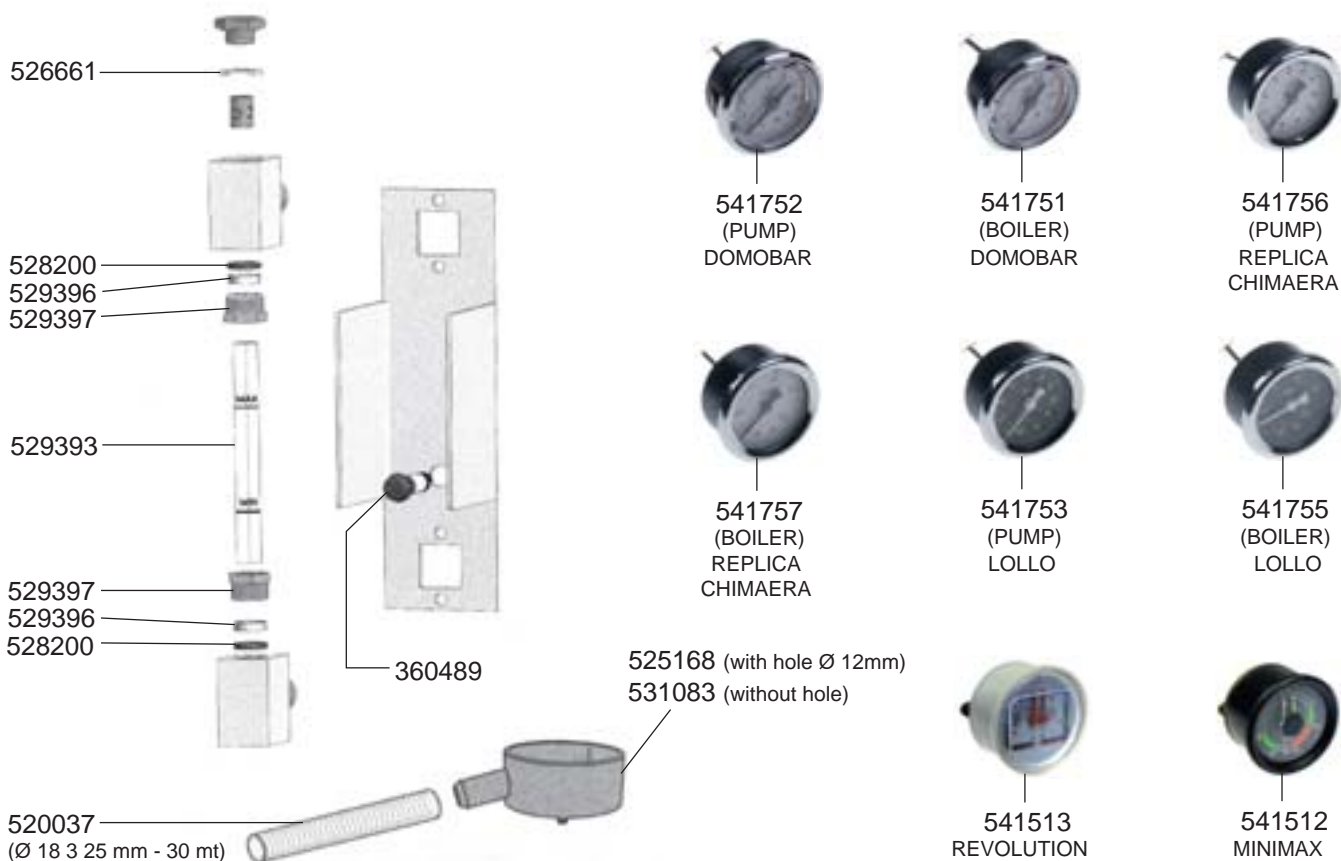
VALVES R-EVOLUTION/LOLLO



# VIBIEMME – ESPRESSO MACHINES

1  
ESPRESSO MACHINES

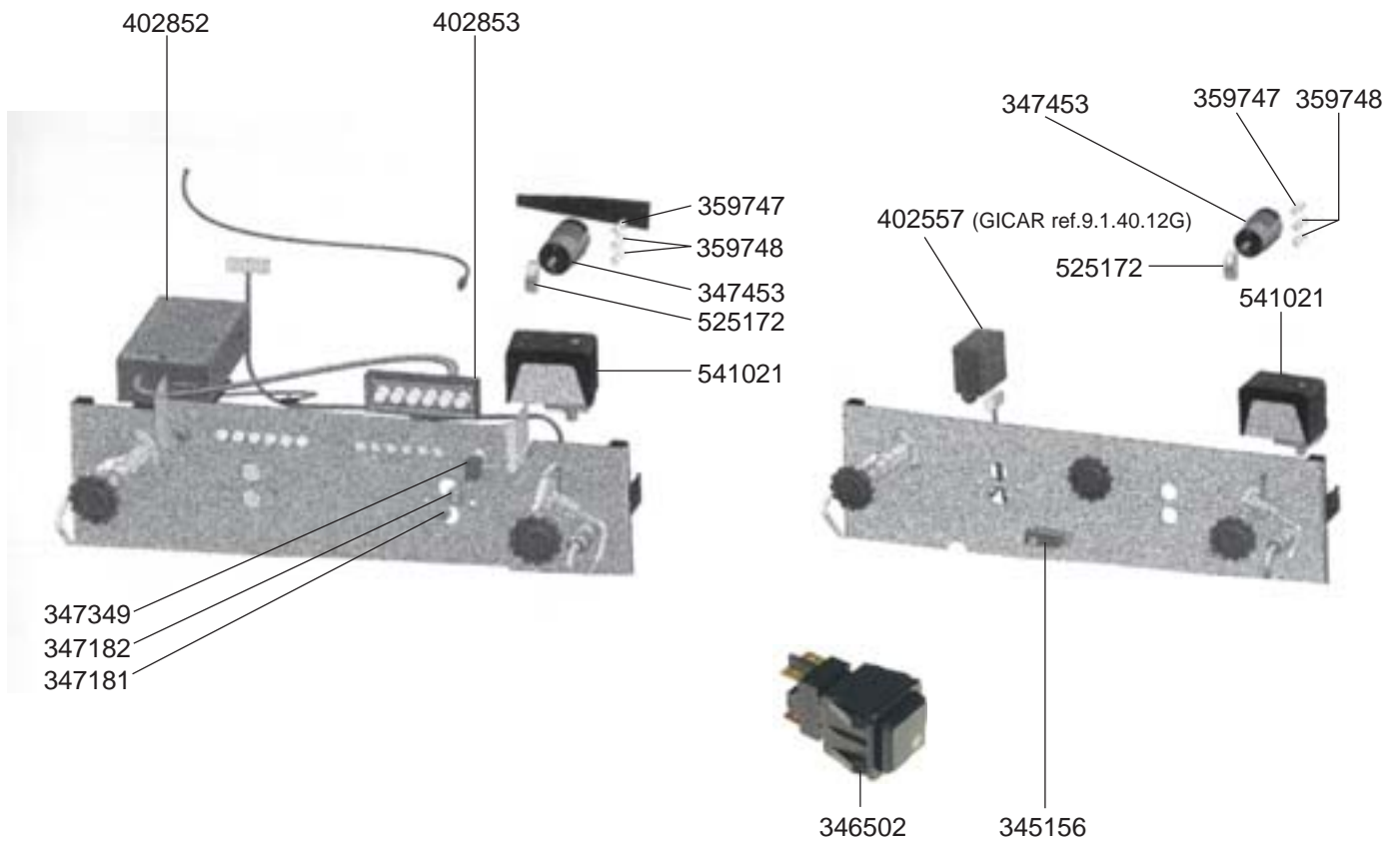
## LEVEL INDICATOR/MANOMETERS/DRIP TRAYS



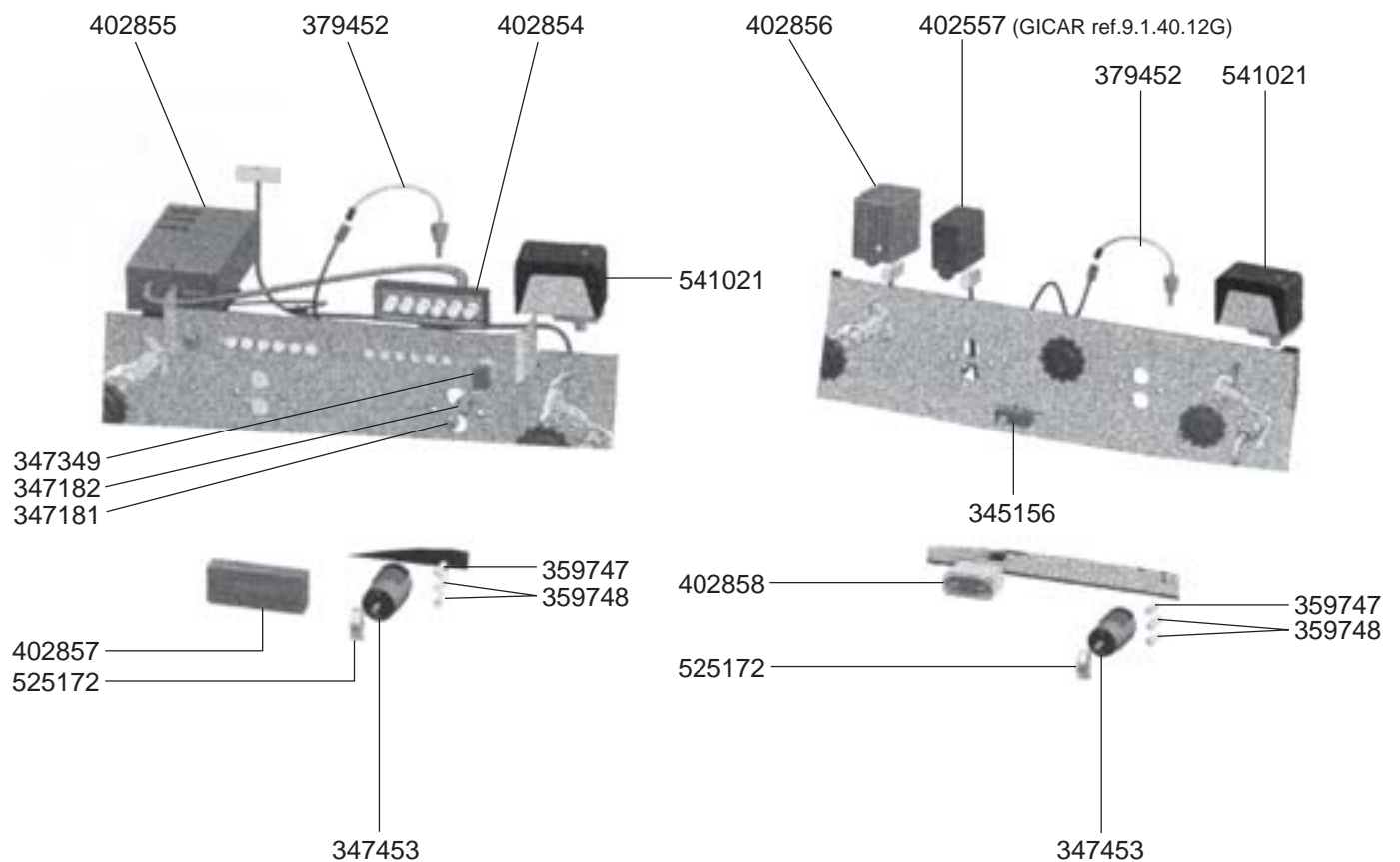
## BOILER VARIOUS



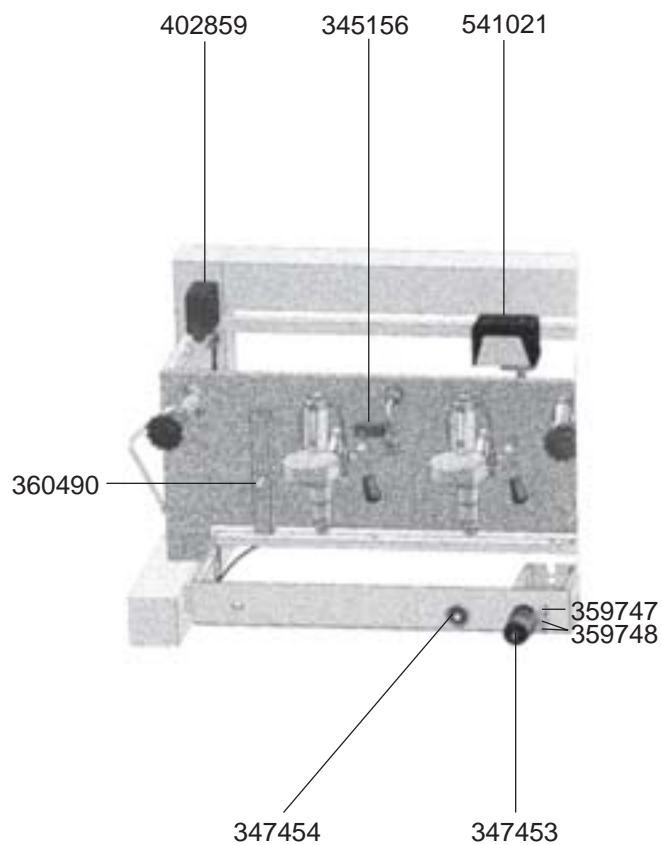
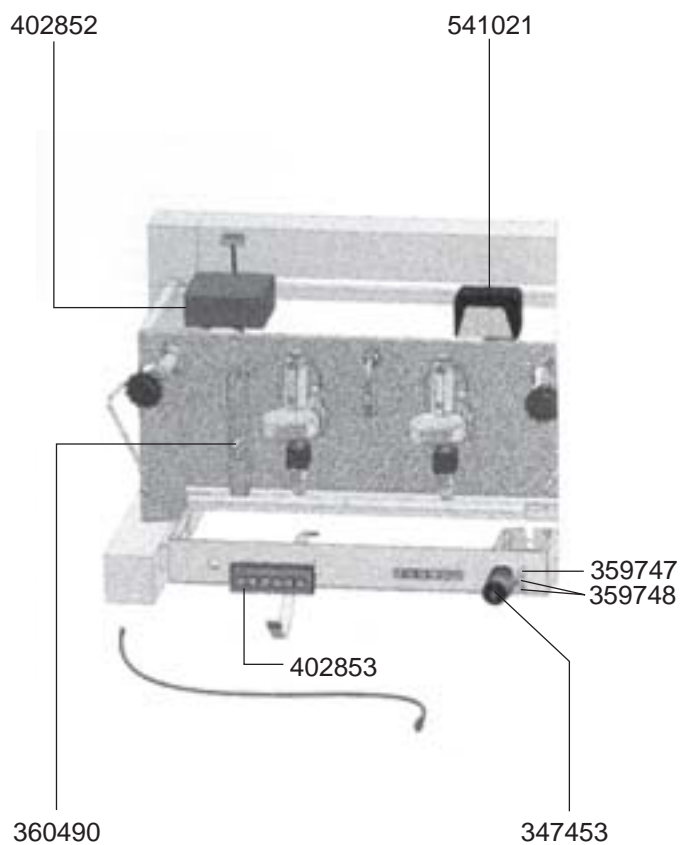
## ELECTRICAL COMPONENTS REPLICA



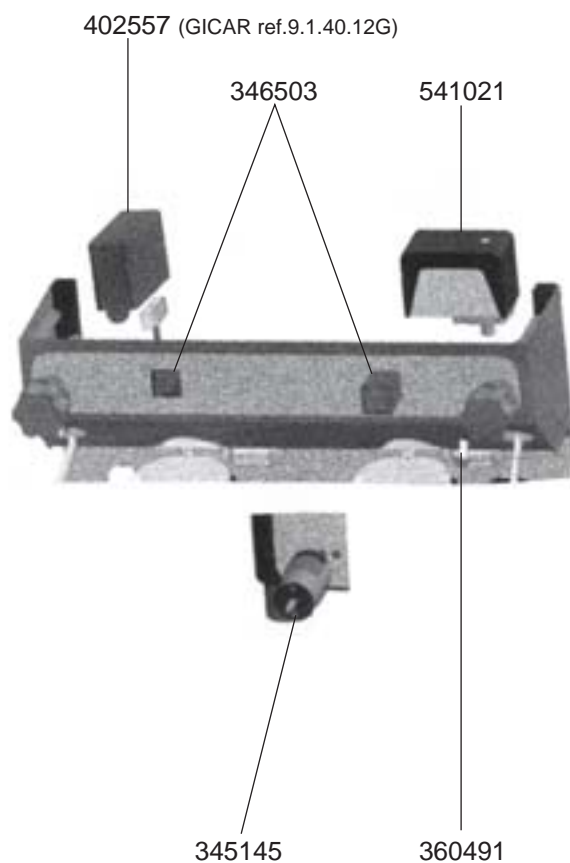
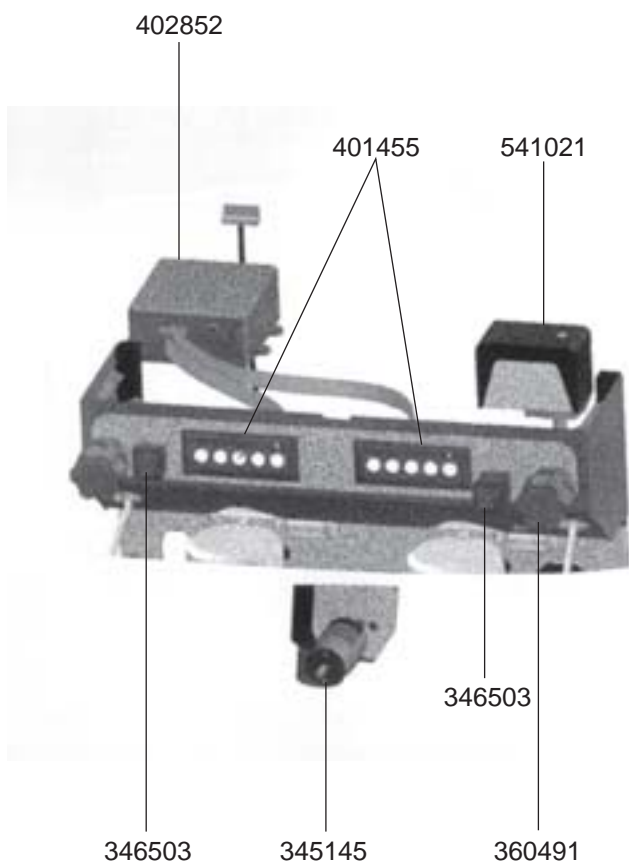
## ELECTRICAL COMPONENTS REPLICA



## ELECTRICAL COMPONENTS CUBO

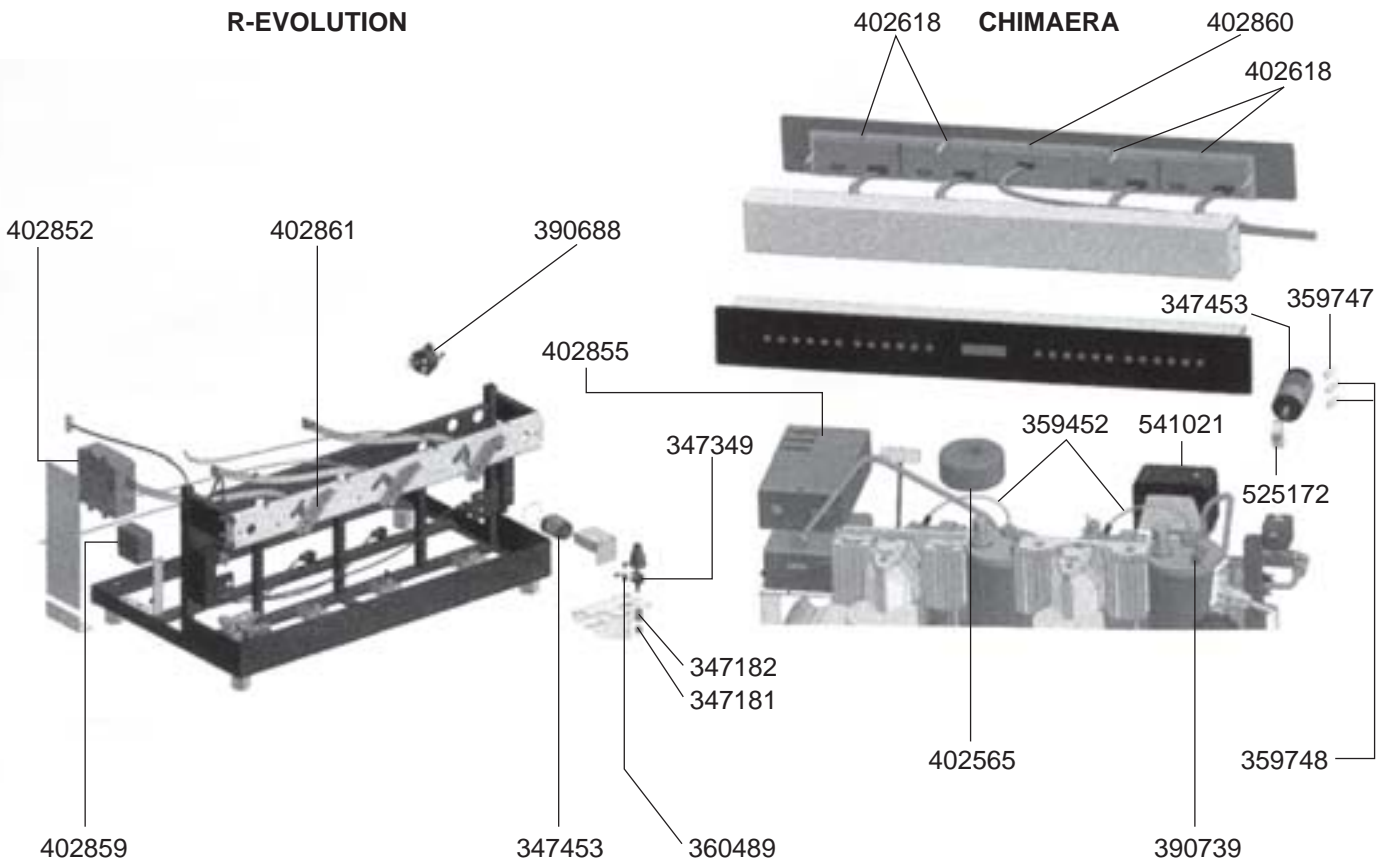


## ELECTRICAL COMPONENTS MINIMAX

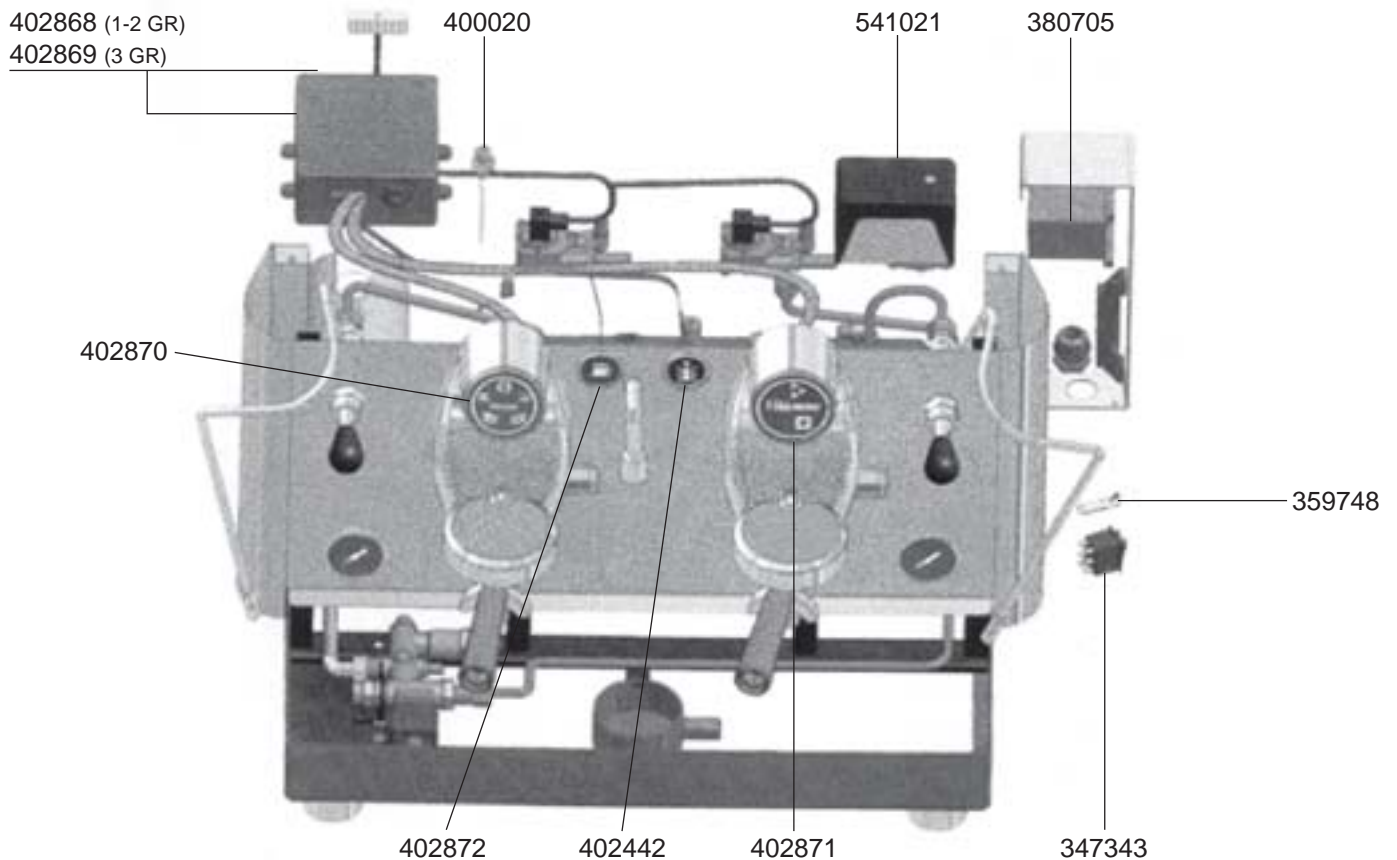


## ELECTRICAL COMPONENTS R-EVOLUTION/CHIMAERA

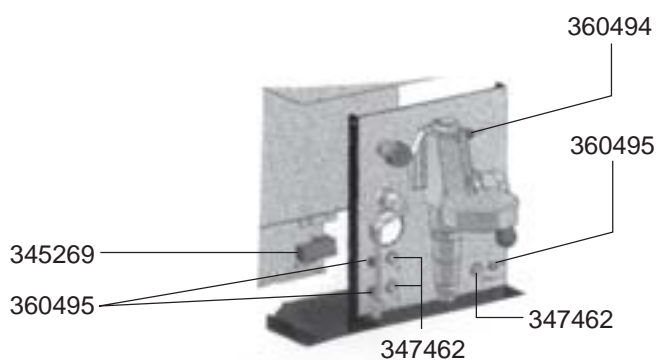
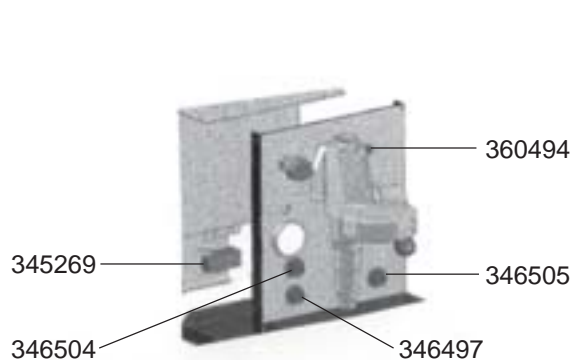
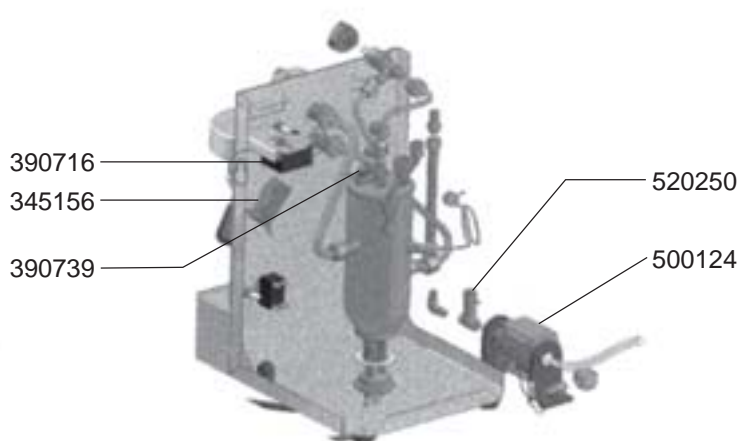
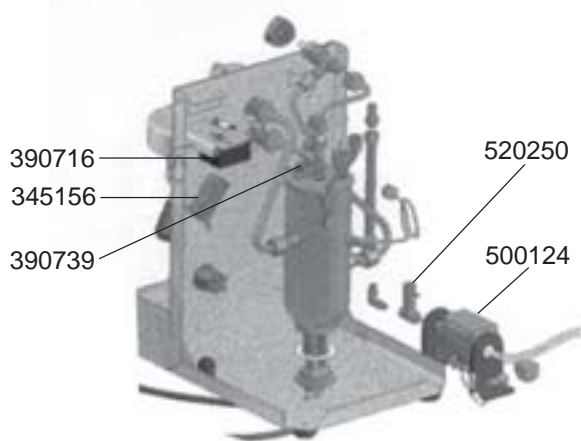
### R-EVOLUTION



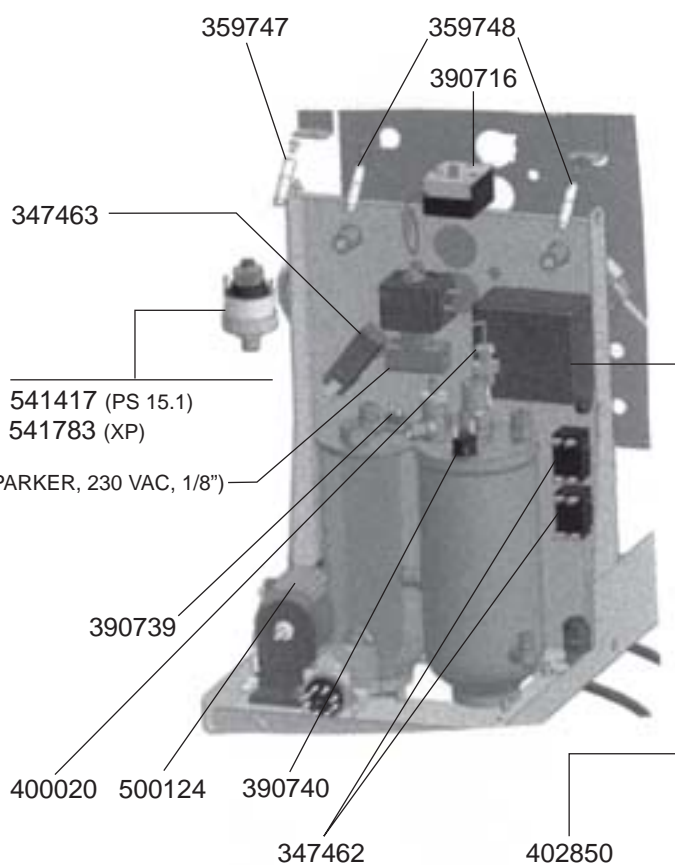
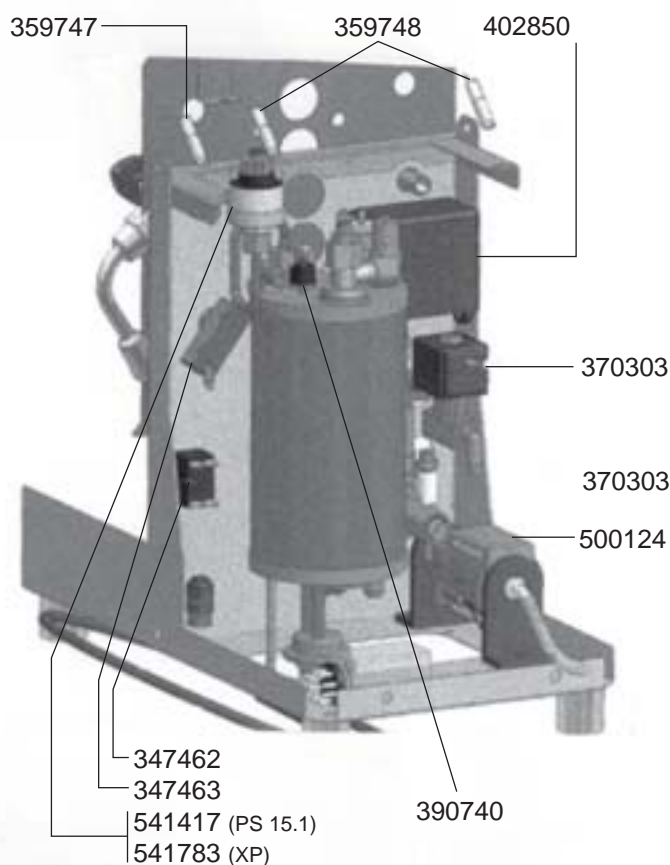
## ELECTRICAL COMPONENTS LOLLO



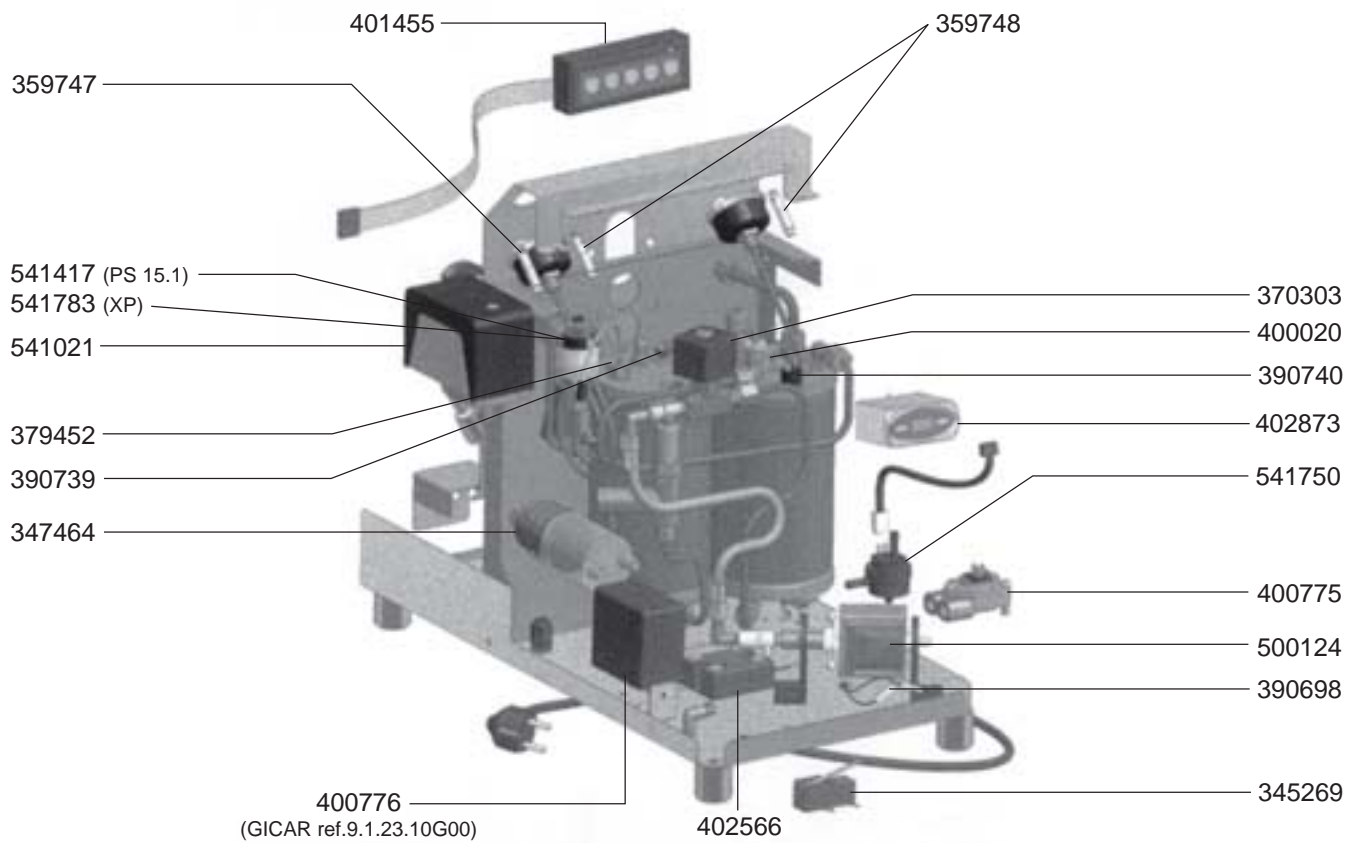
## ELECTRICAL COMPONENTS DOMOBAR



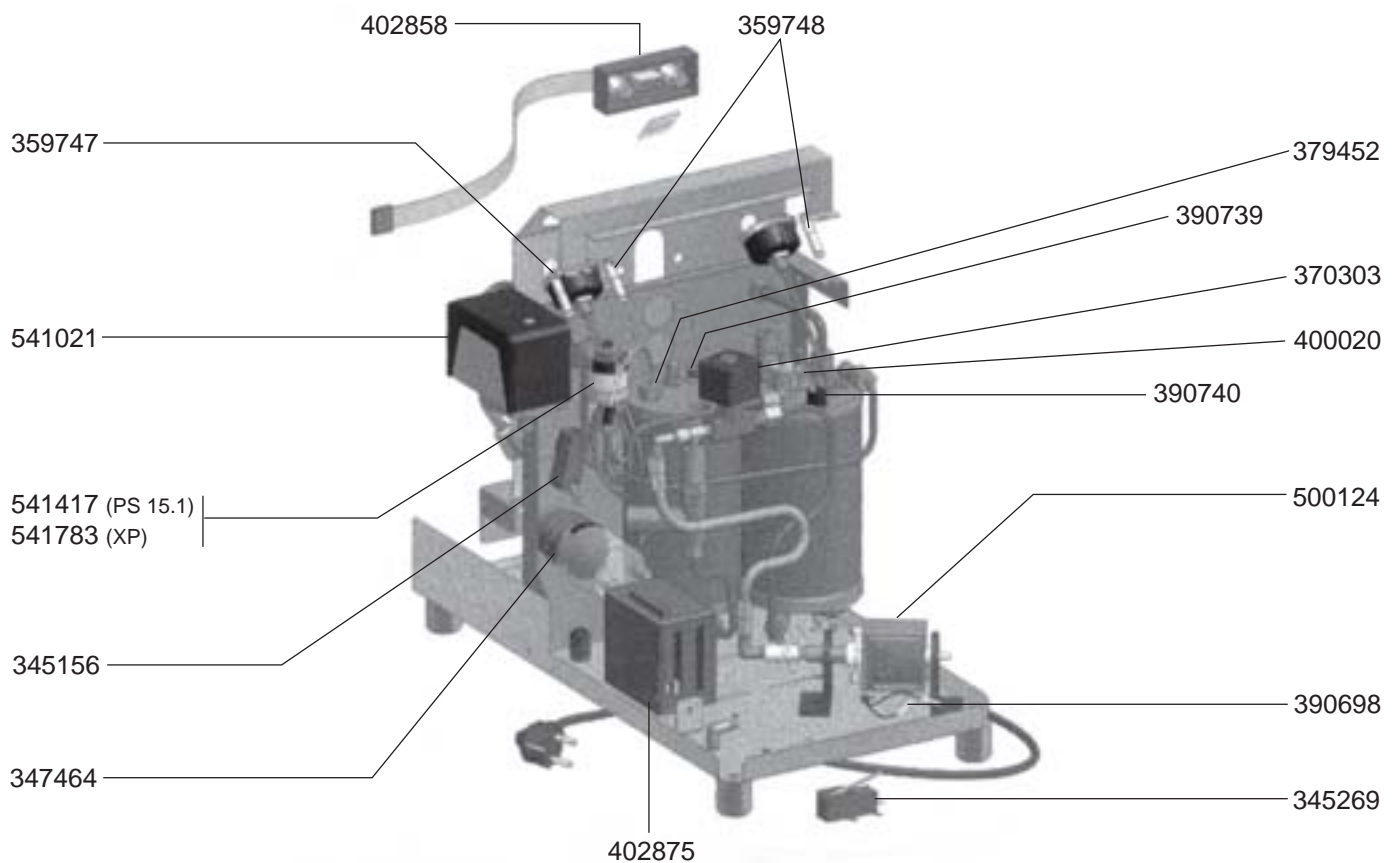
## ELECTRICAL COMPONENTS DOMOBAR JUNIOR



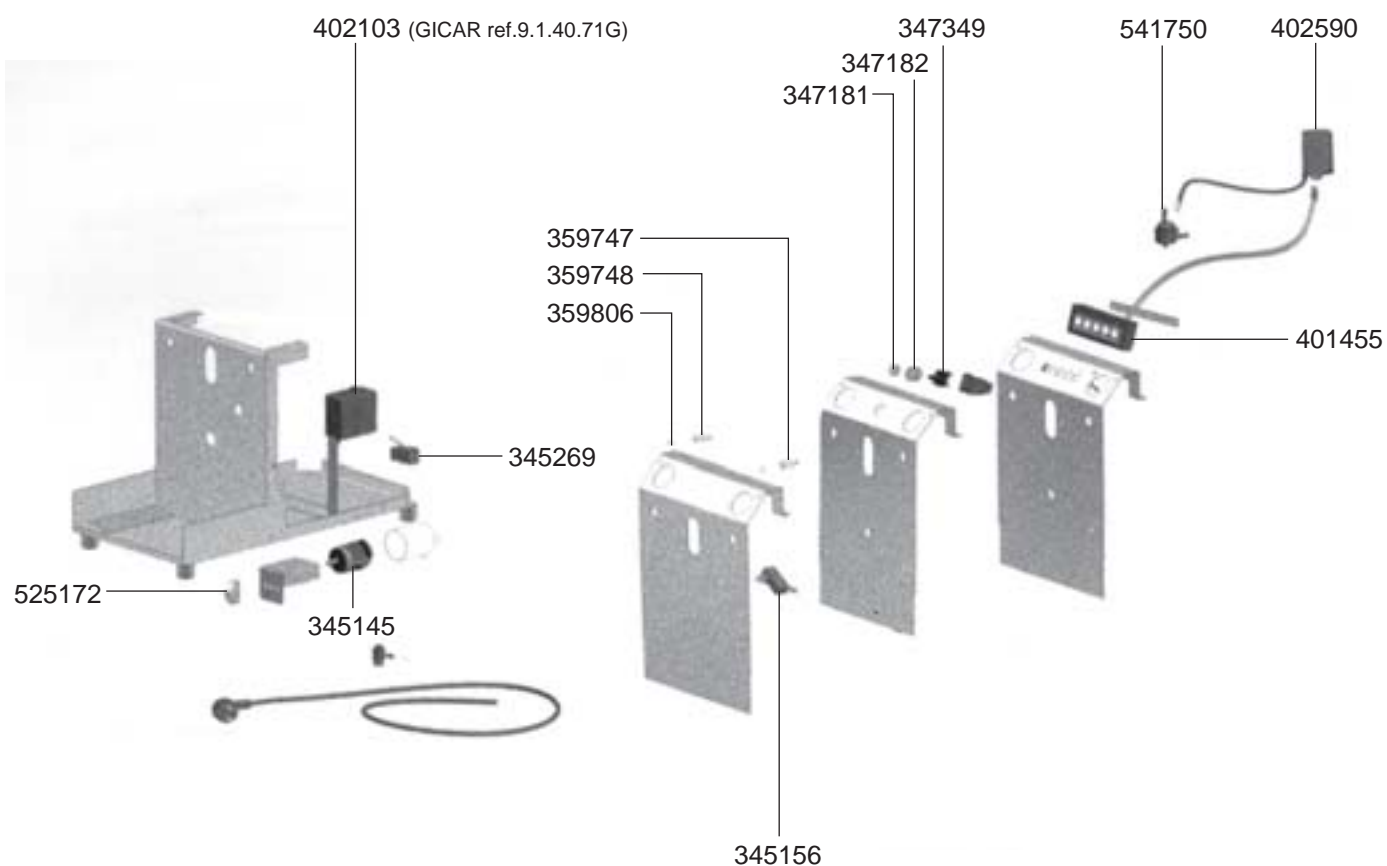
## DOMOBAR SUPER 2B ELECTRONIC



## ELECTRICAL COMPONENTS DOMOBAR SUPER 2B MANUAL



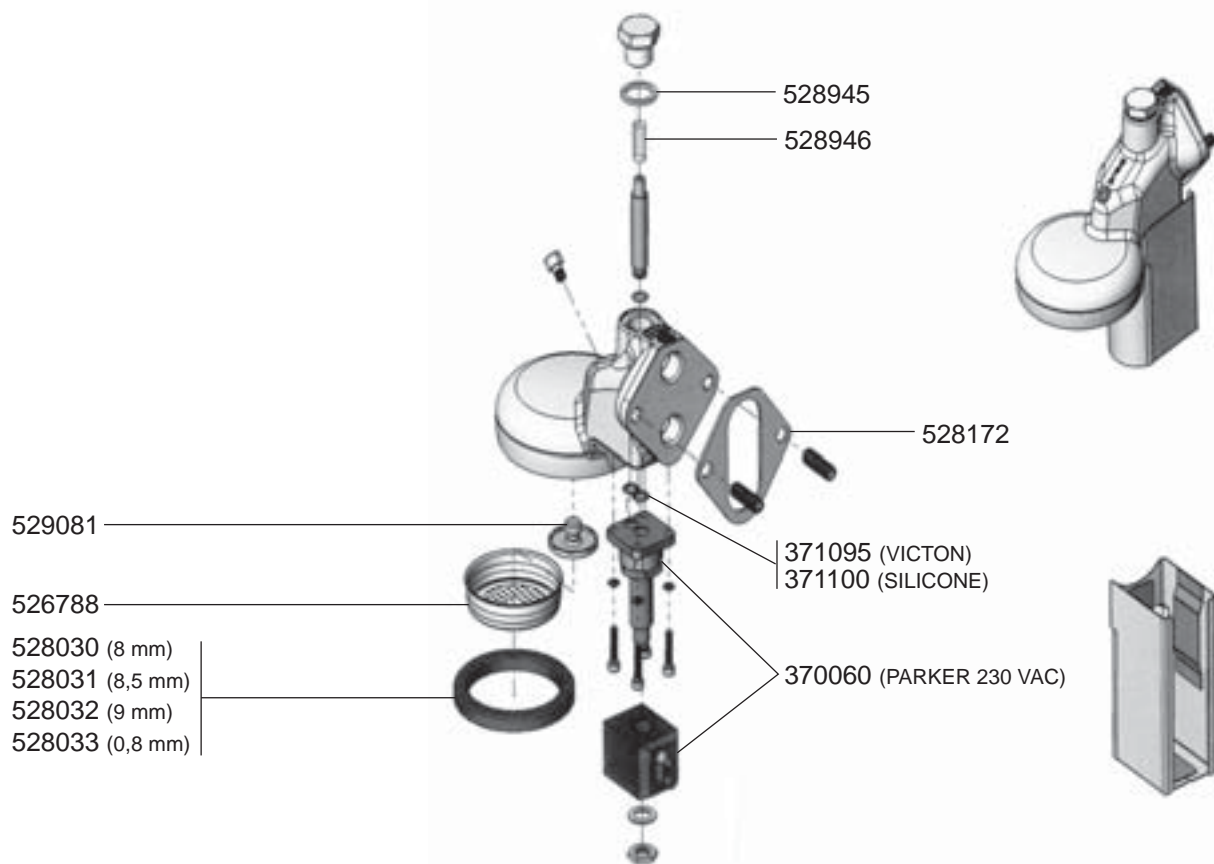
## ELECTRICAL COMPONENTS DOMOBAR SUPER



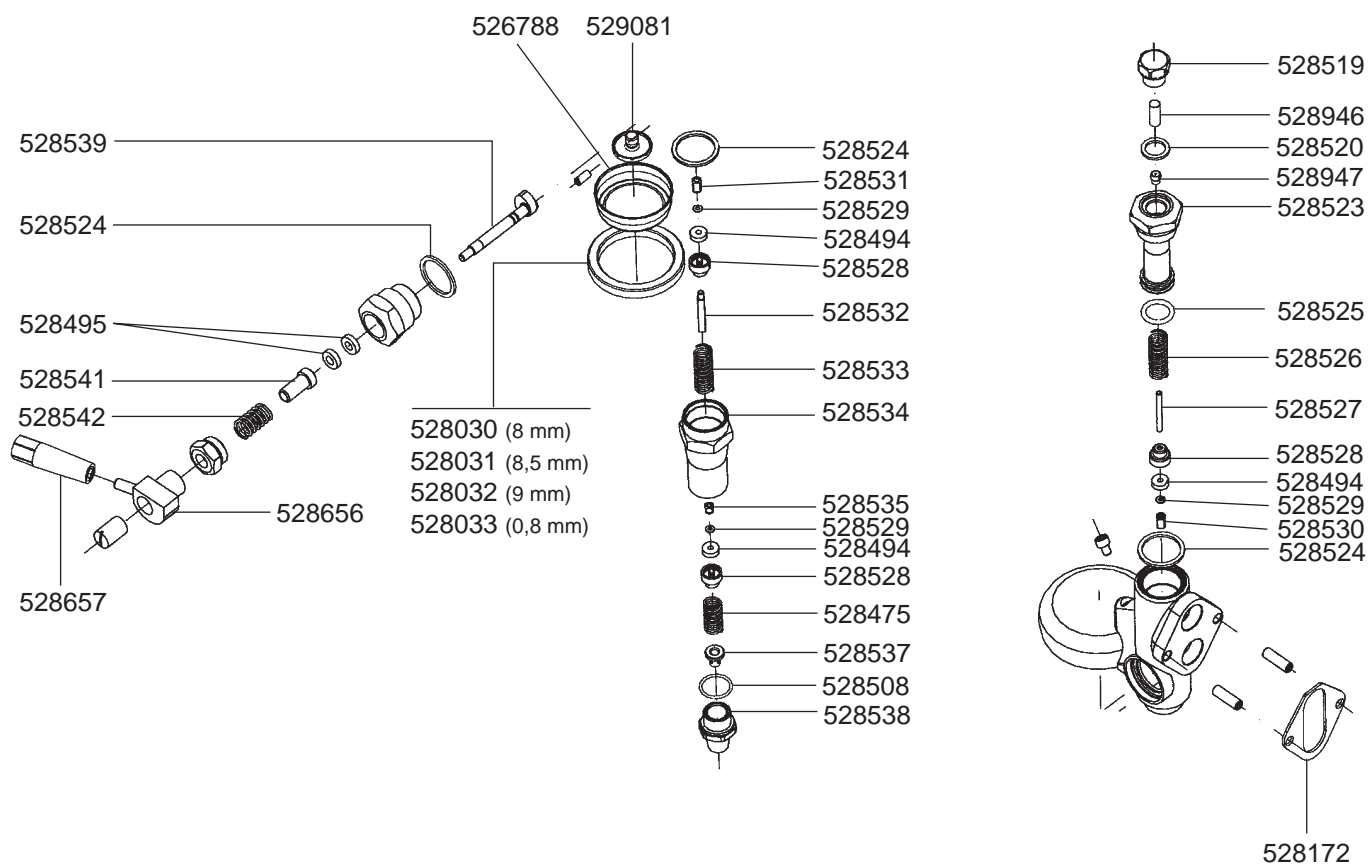
## ELECTRICAL COMPONENTS VARIOUS



## SOLENOID GROUP



## MANUAL GROUP



# VFA EXPRES - ESPRESSO MACHINES

1  
ESPRESSO MACHINES

## FILTER HOLDERS



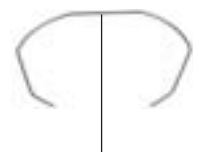
529041



529045



525984



529065 (Ø 1,1 mm)  
525956 (Ø 1,2 mm)  
529079 (Ø 1,3 mm)



529012 (6 GR)  
529011 (7 GR)



526067 (12 GR)  
526068 (14 GR)



529023



802025  
(Ø 53/57 mm)



802104  
(Ø 49/53 mm)



802020  
(STAINLESS STEEL)



802103  
(PLASTIC)



529063



529001



529003



529004



529007



527633

527634



529894



529161  
(ADJUSTABLE)

## STEAM/WATER TAPS

529850

529708

529547

529545

528401

528928 (O-RING)

528927

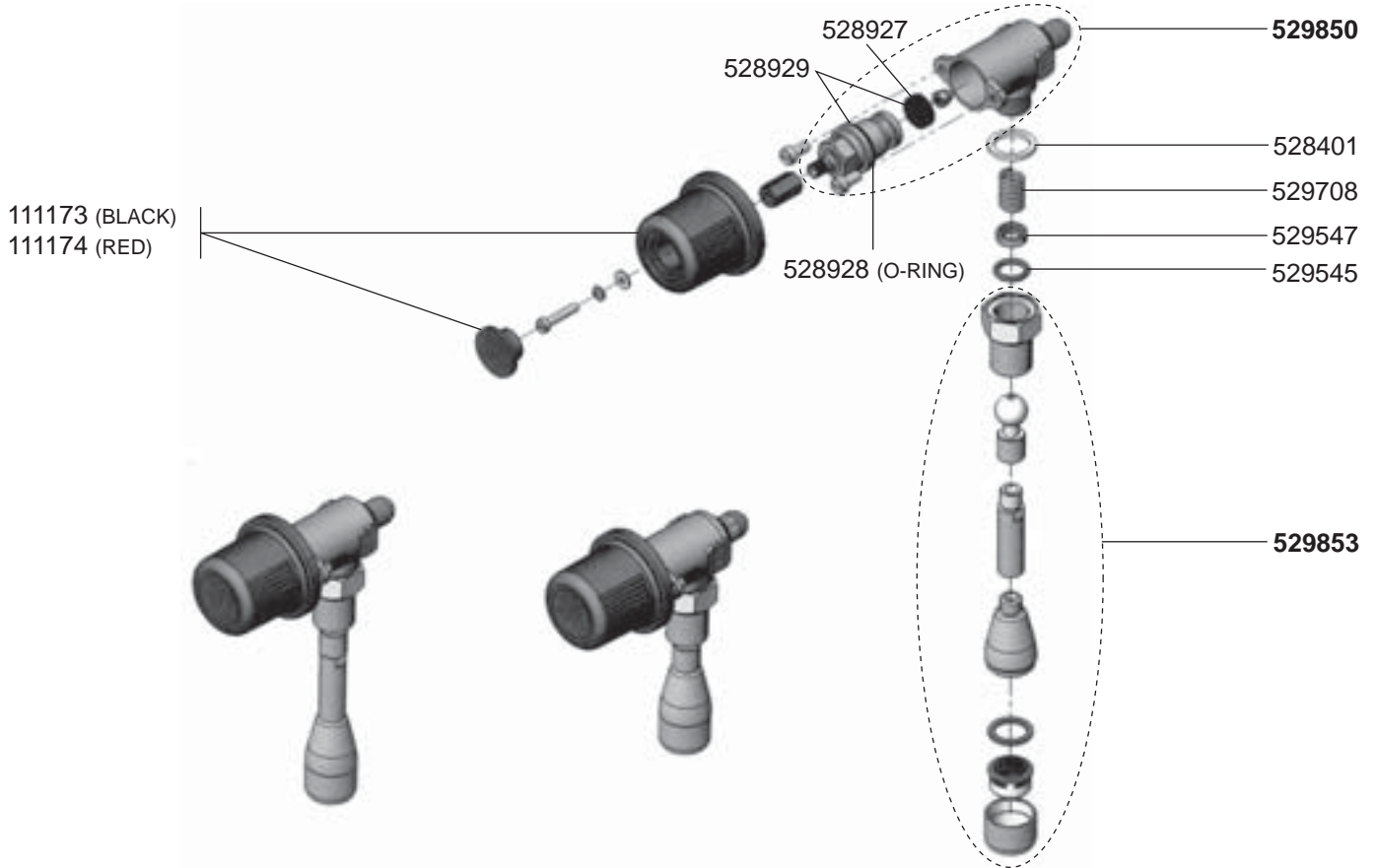
528929

111173 (BLACK)  
111174 (RED)

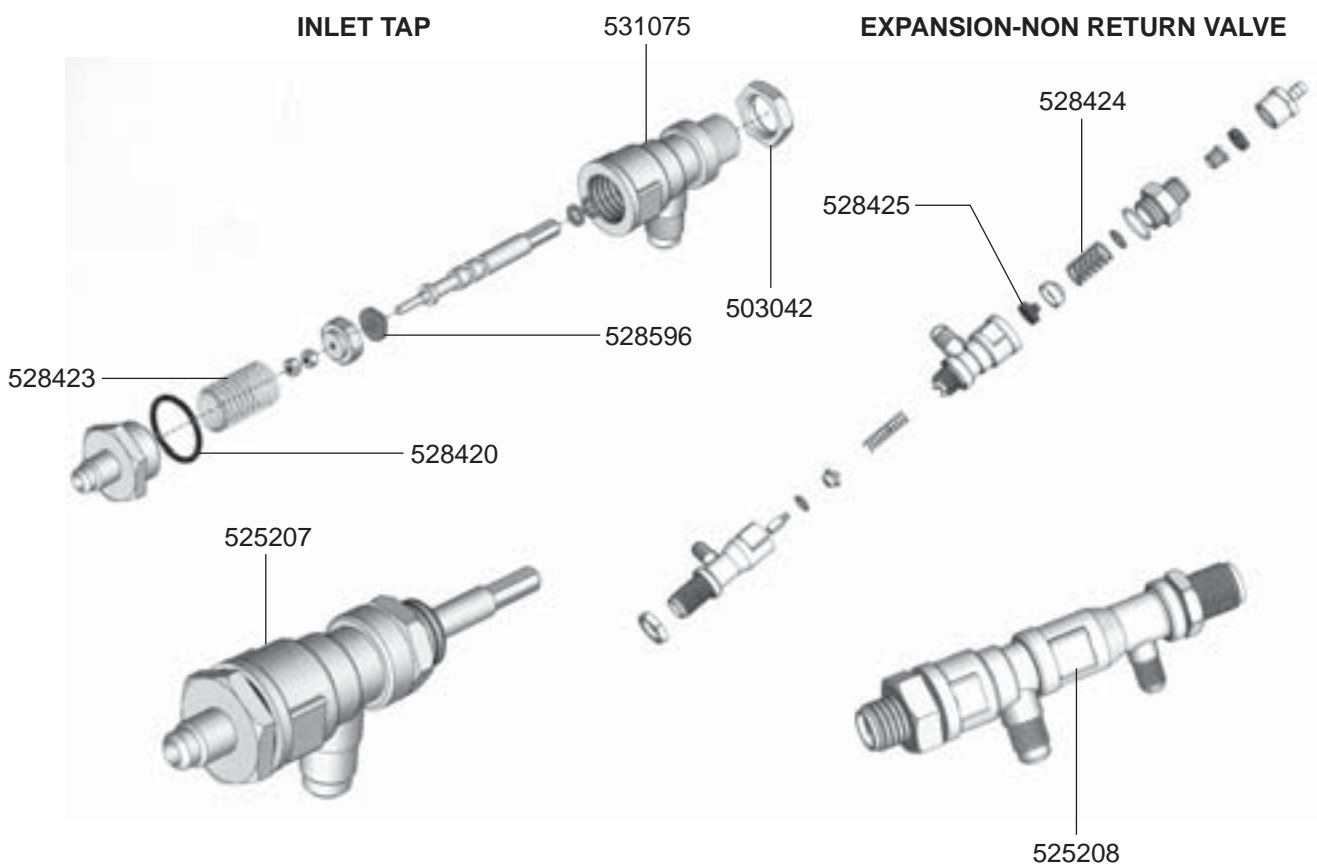
529851

529852 (STAINLESS STEEL)

## STEAM/WATER TAPS



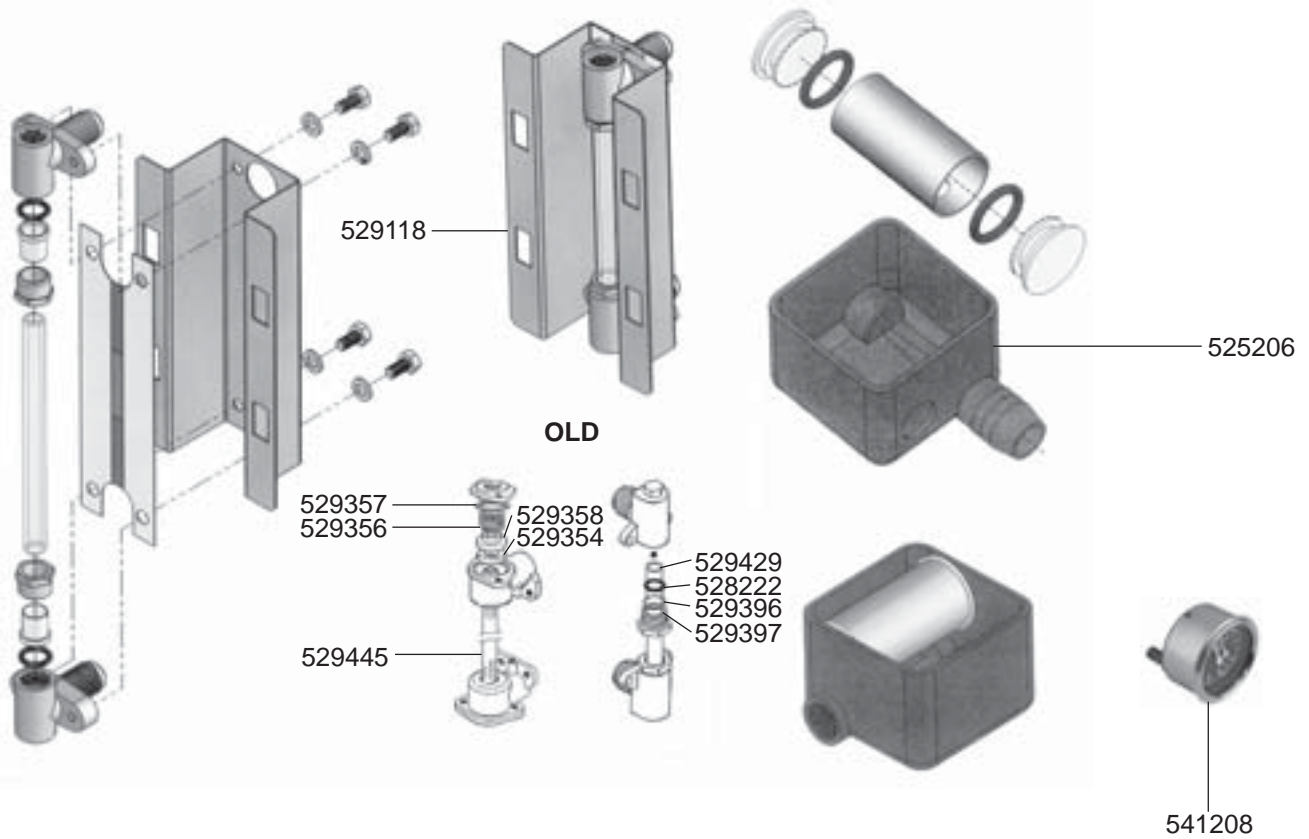
## INLET TAP/EXPANSION-NON RETURN VALVE



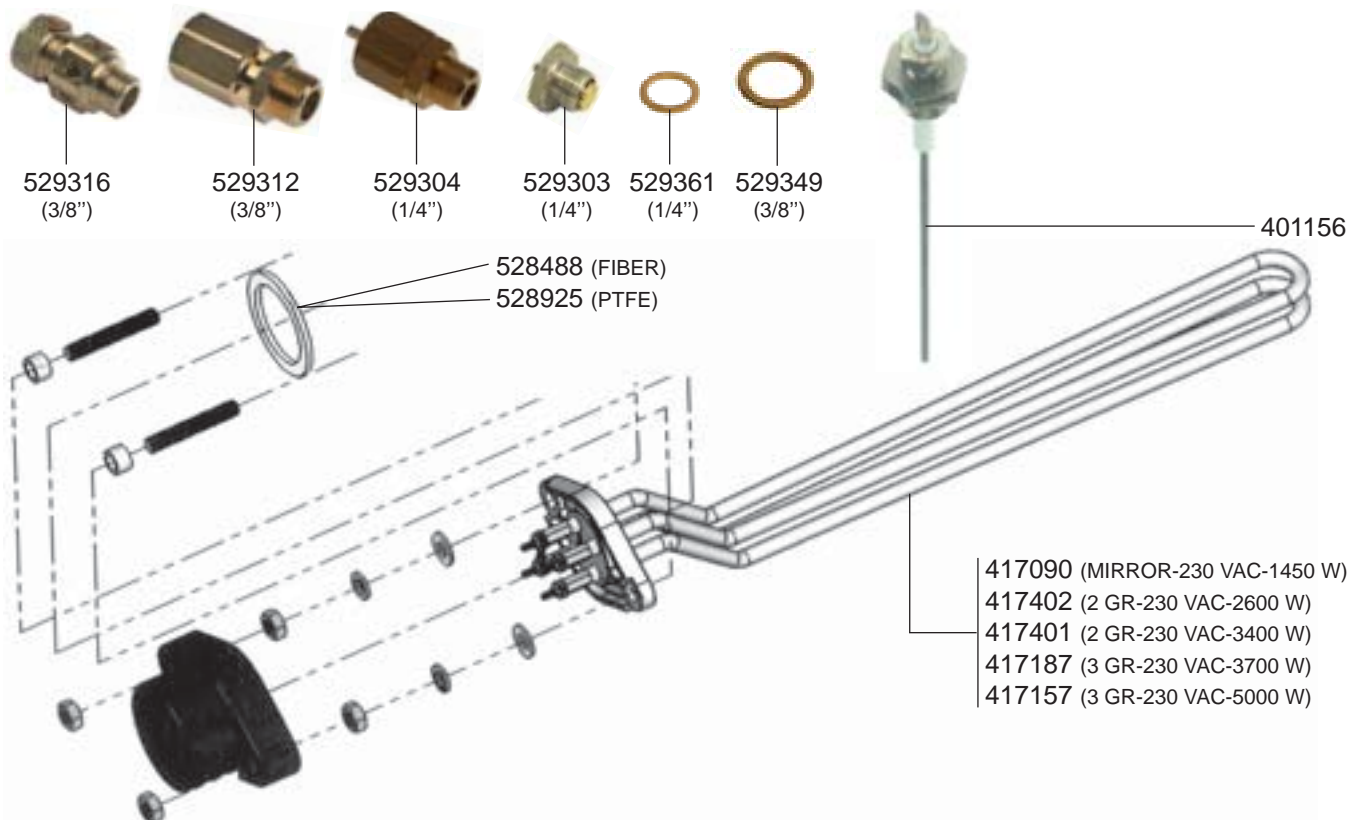
# VFA EXPRES – ESPRESSO MACHINES

1  
ESPRESSO MACHINES

## LEVEL INDICATOR/MANOMETER/DRIP TRAYS



## BOILER VARIOUS



## ELECTRICAL COMPONENTS



401724



358676



345148



345104

## ELECTRICAL COMPONENTS VARIOUS



400004



400256



400257



400258



370057  
(PARKER 230 VAC)  
370053  
(LUCIFER 230 VAC)



370060  
(PARKER 230 VAC)



370062  
(PARKER)  
370061  
(LUCIFER)



370206  
(PARKER 1/8"-230 VAC)  
370067  
(PARKER 1/4"-230 VAC)



371029  
(PARKER 230 VAC)  
371031  
(LUCIFER 230 VAC)



371033  
(PARKER)



371090



371095  
(VITON)  
371100  
(SILICONE)



541724  
(SIRAI, 20 A,  
3 POLES)



541021  
(SIRAI, 30 A,  
3 POLES)



541723  
(SIRAI, 20 A,  
2 POLES)



541453  
(PARKER)



541104



400782  
(OFFICE PLUS)



346017  
(MINOR)



345037  
(RED)  
345162  
(YELLOW)



400378 400389  
(GICAR ref.9.9.10.17G) (GICAR ref.9.9.12.01G)

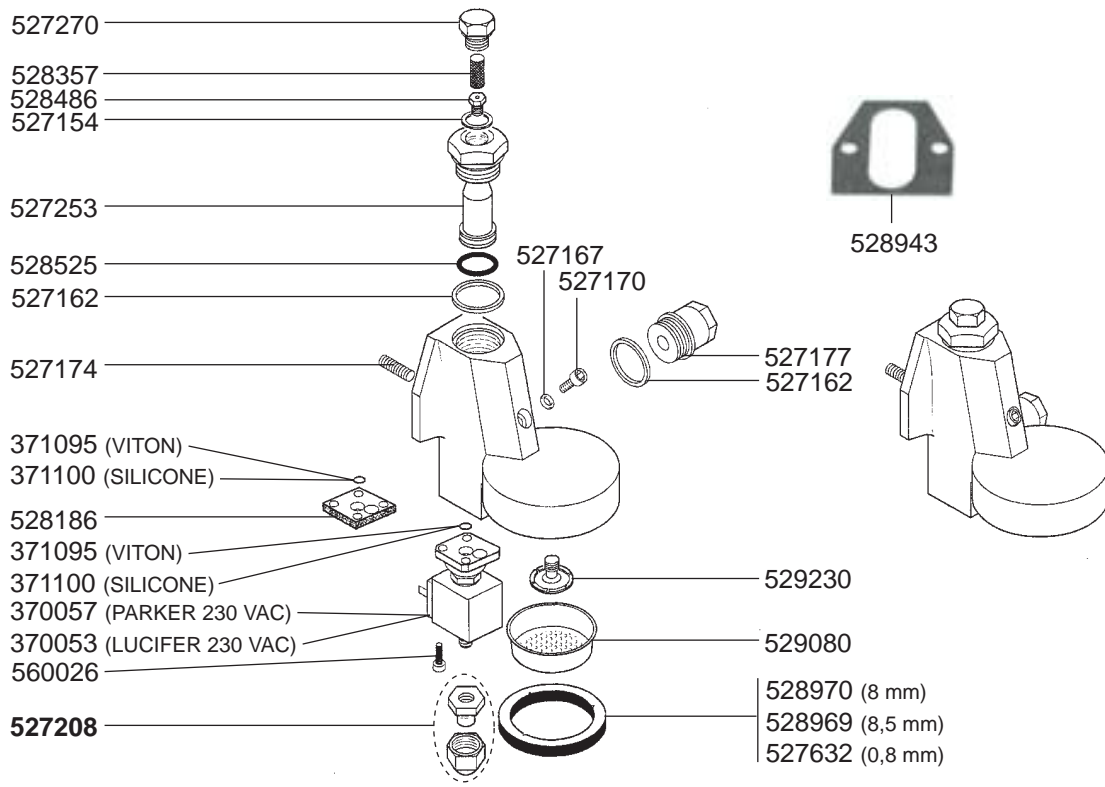


400393

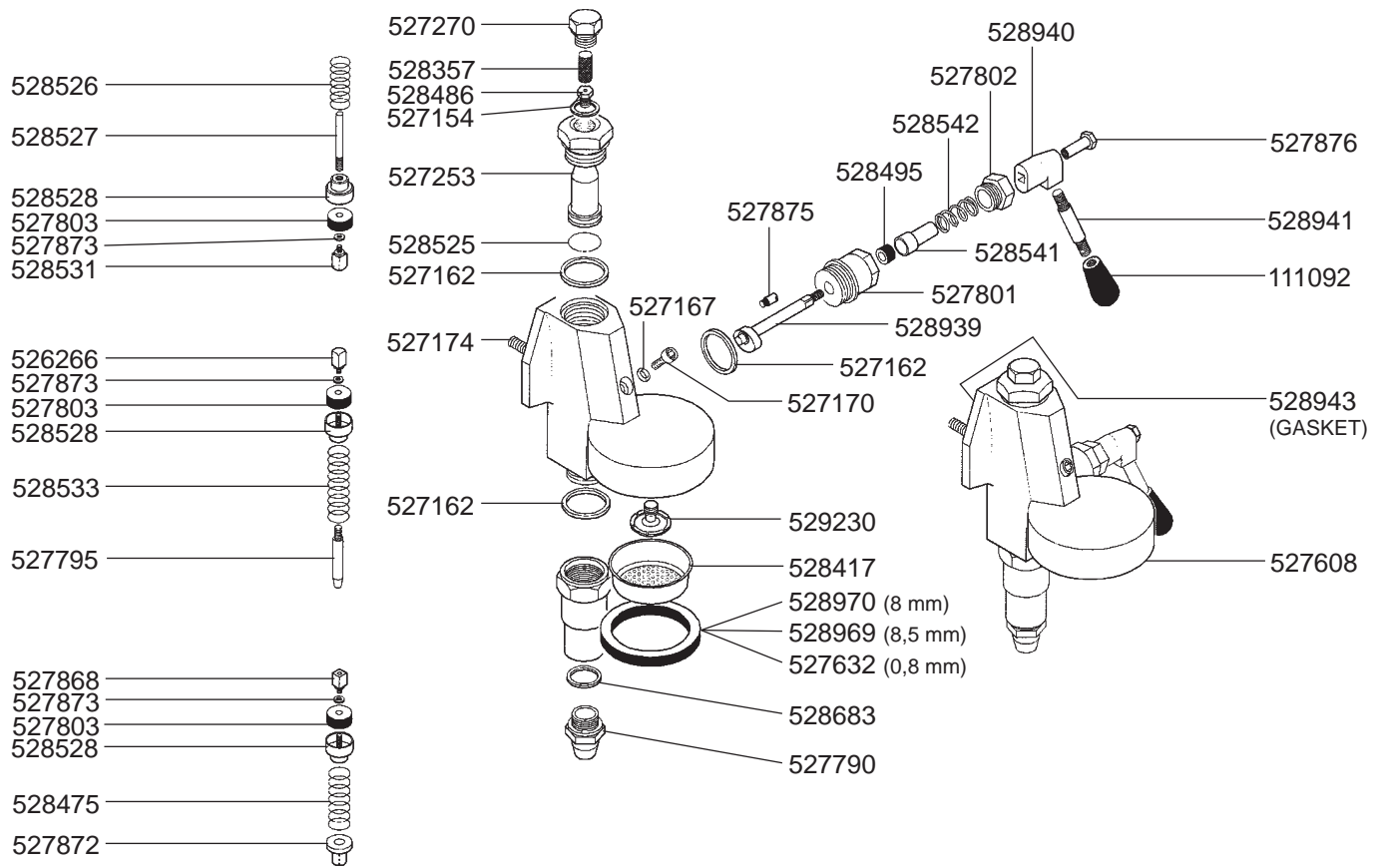


400391

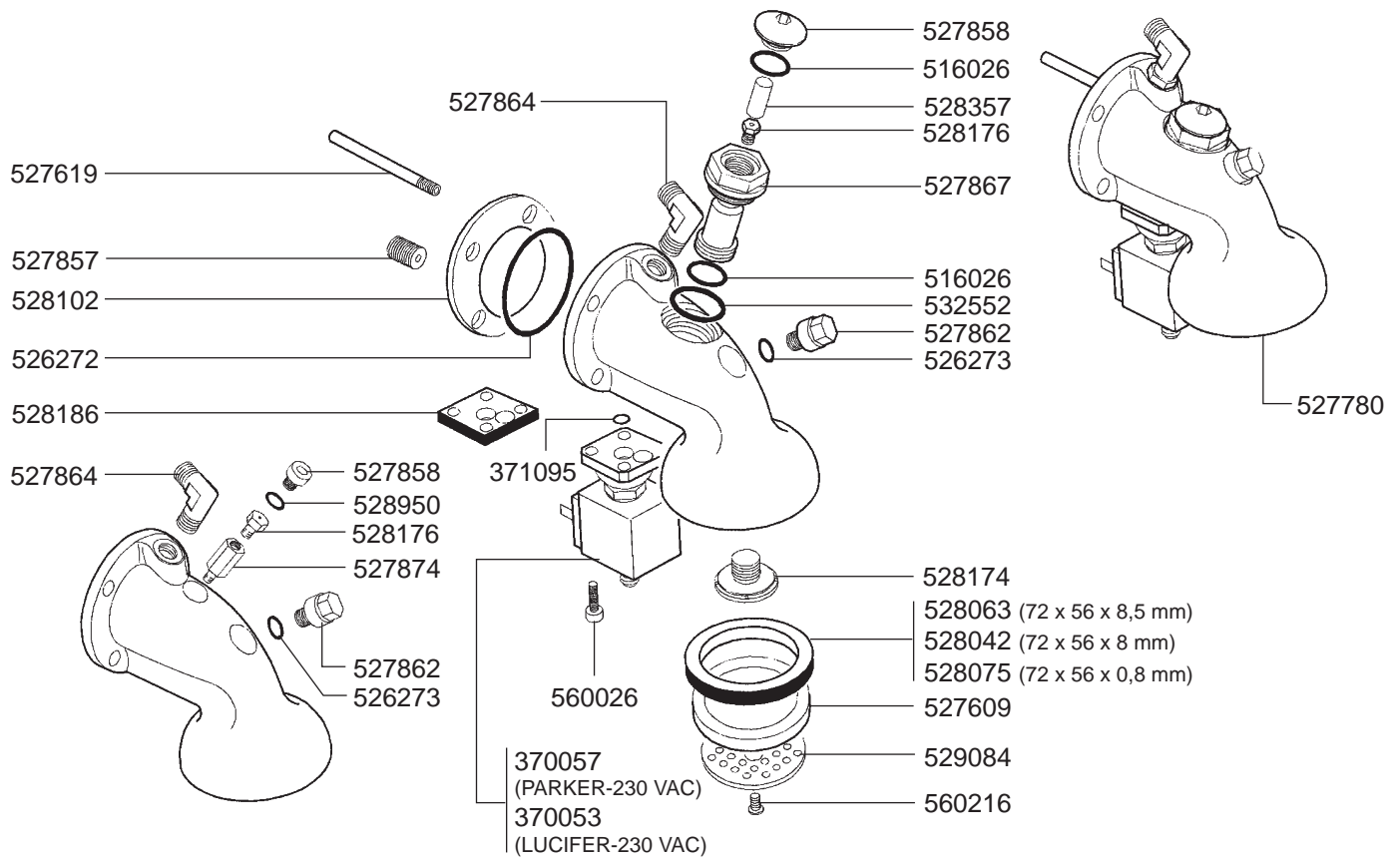
## SOLENOID GROUP



## MANUAL GROUP



## SOLENOID GROUP



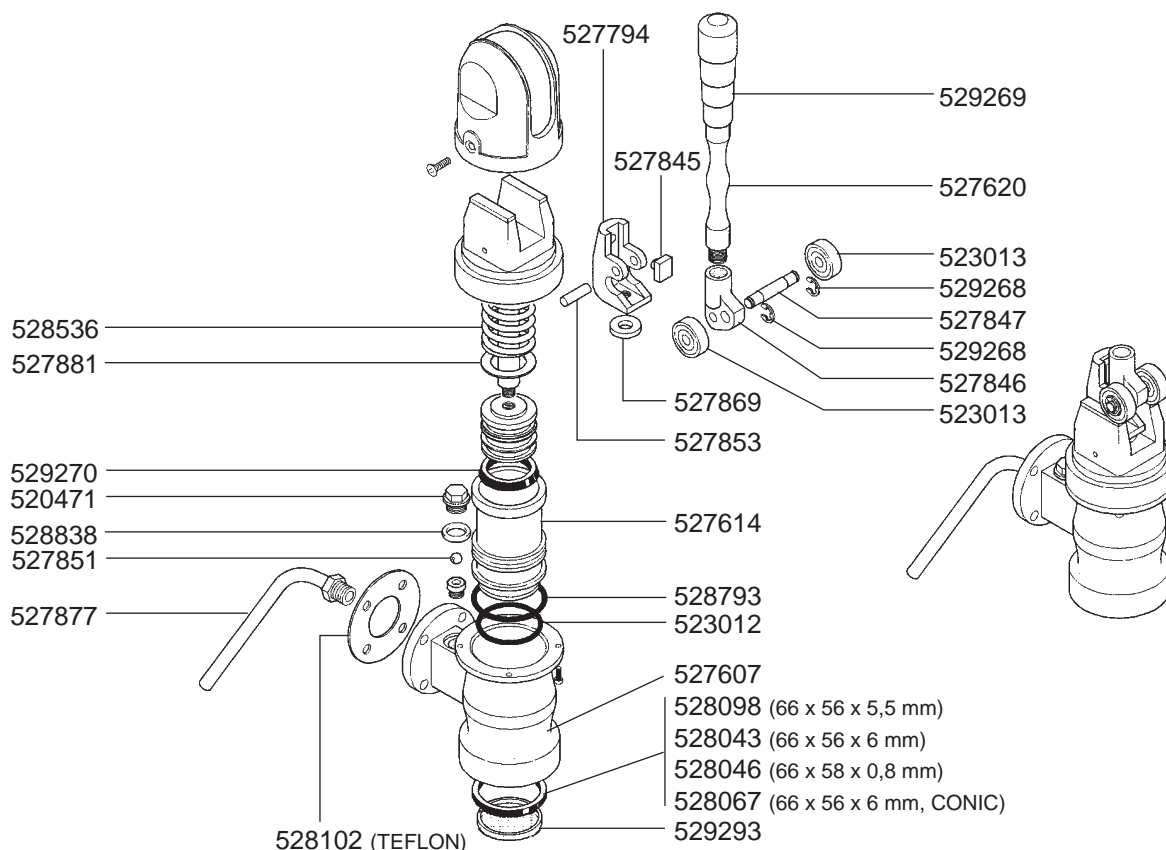
## FILTER HOLDERS



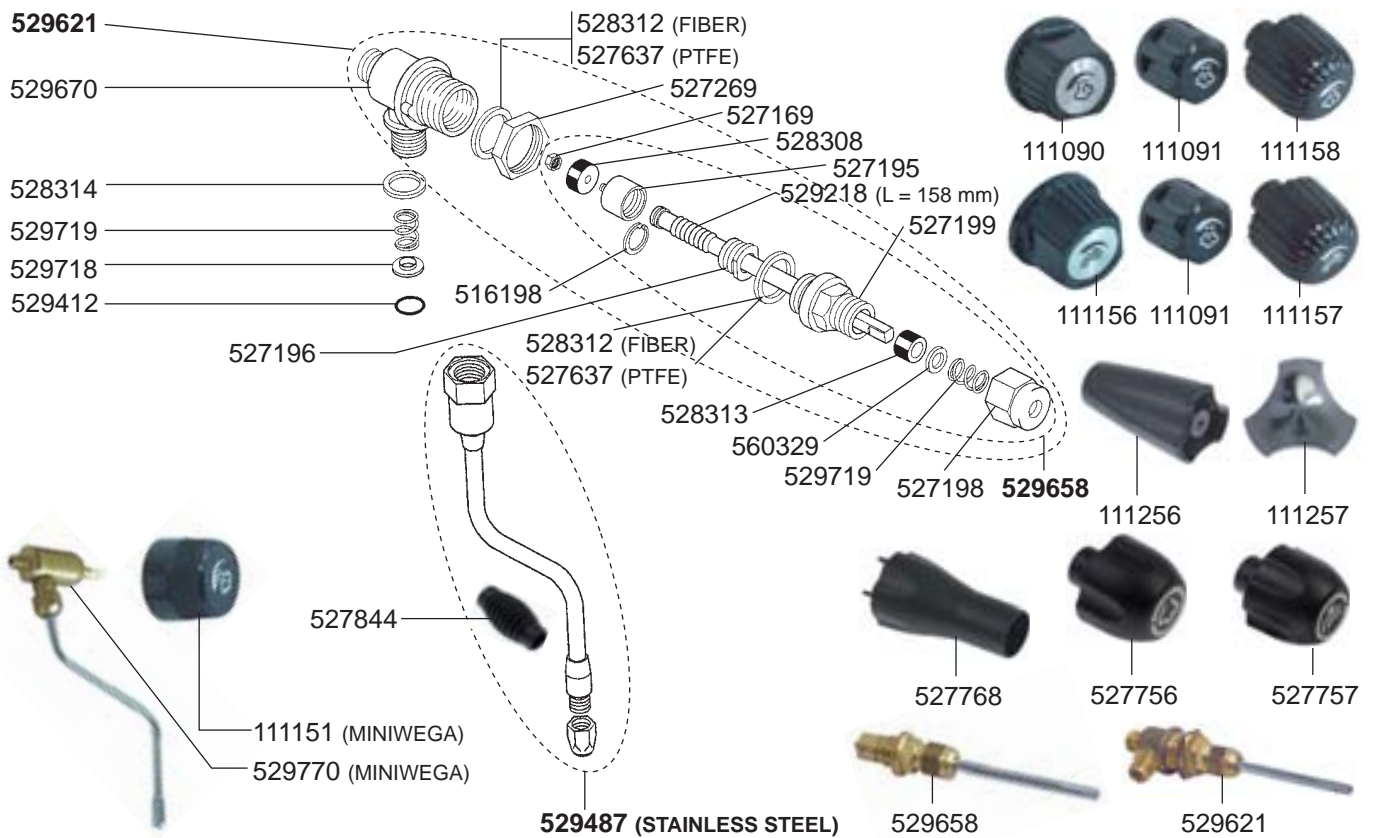
## FILTER HOLDERS



## LEVER GROUP



## STEAM/WATER TAPS



## STEAM/WATER TAPS

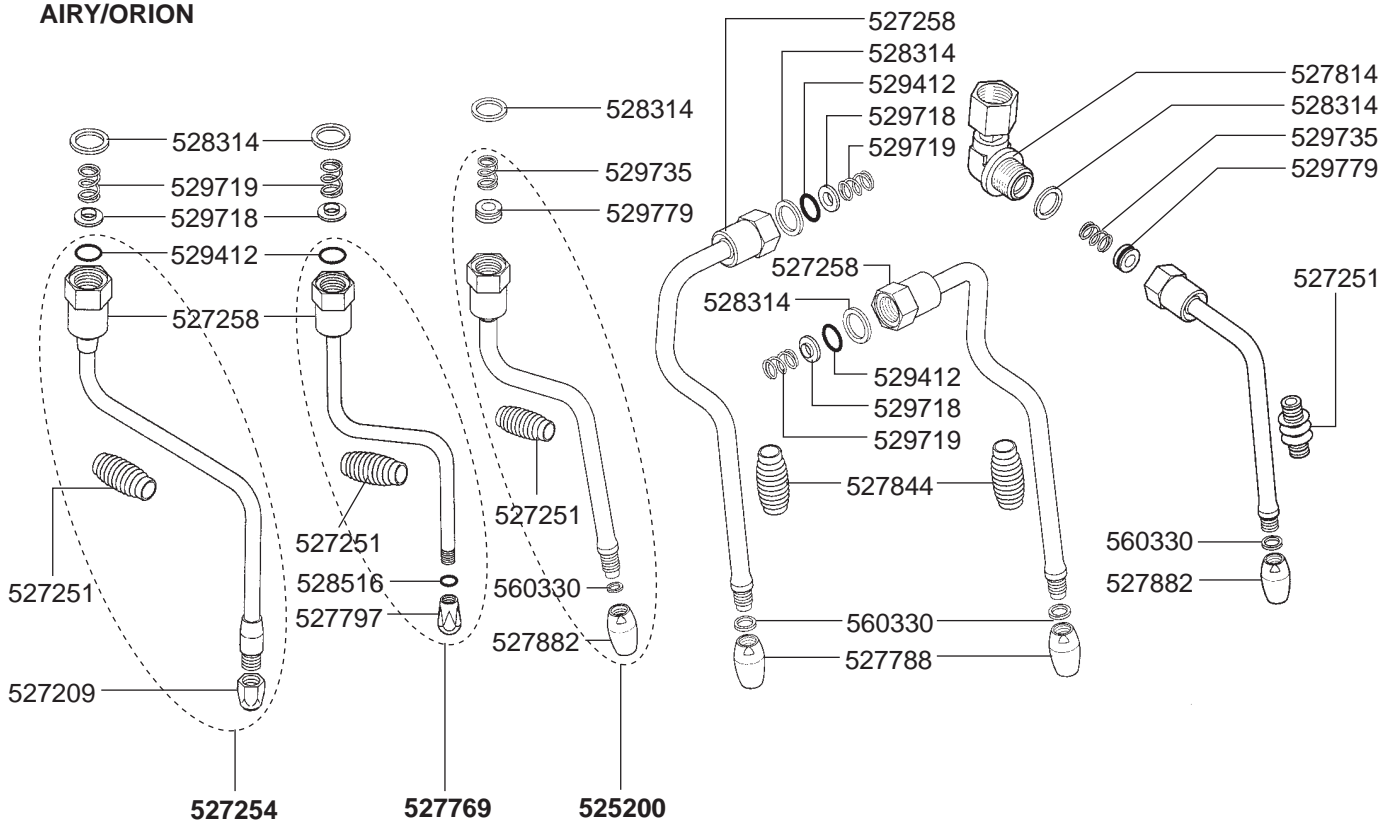
**POLARIS/ATLAS/  
AIRY/ORION**

**JUNIOR/NOVA**

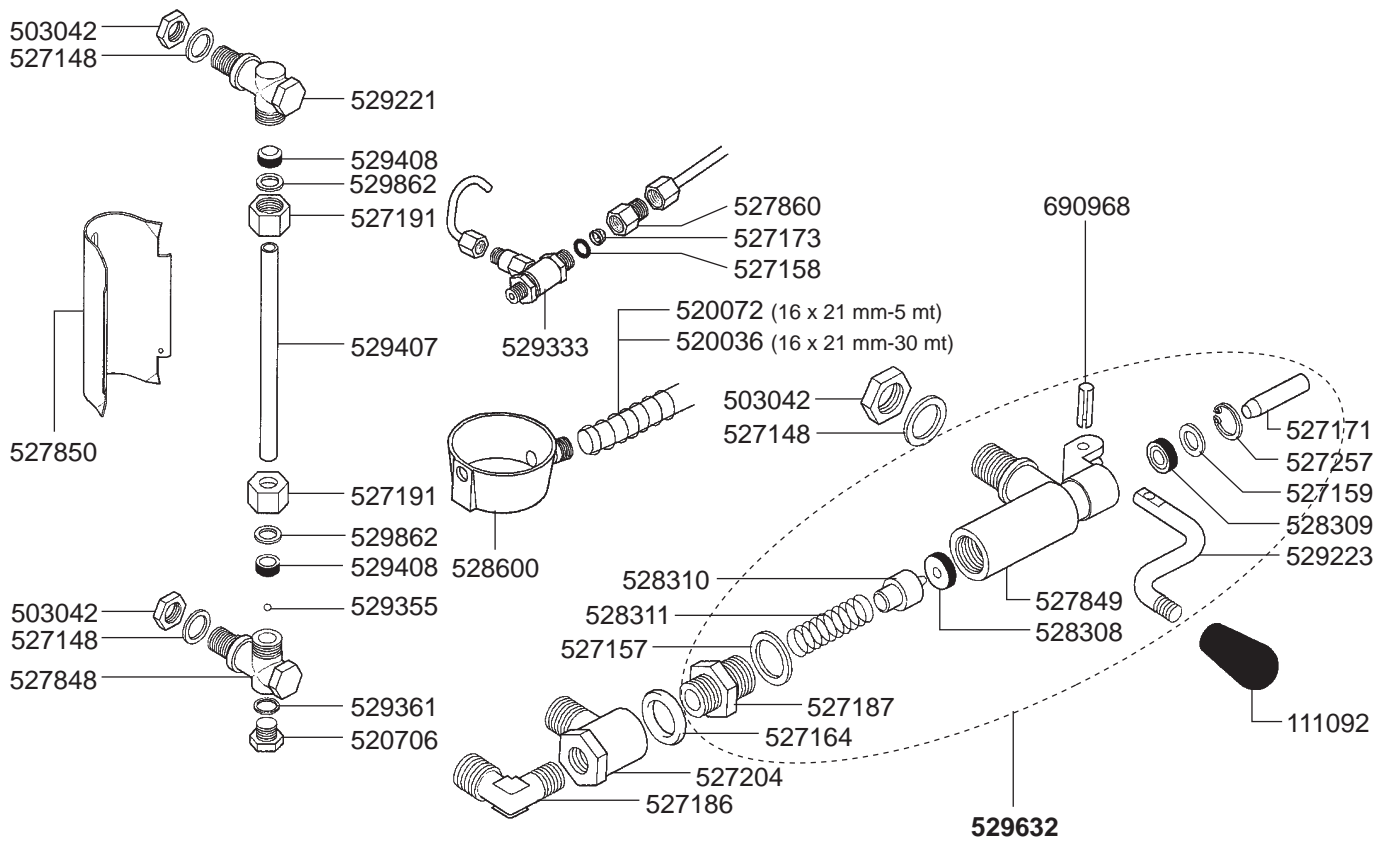
**SPHERA**

**VENUS**

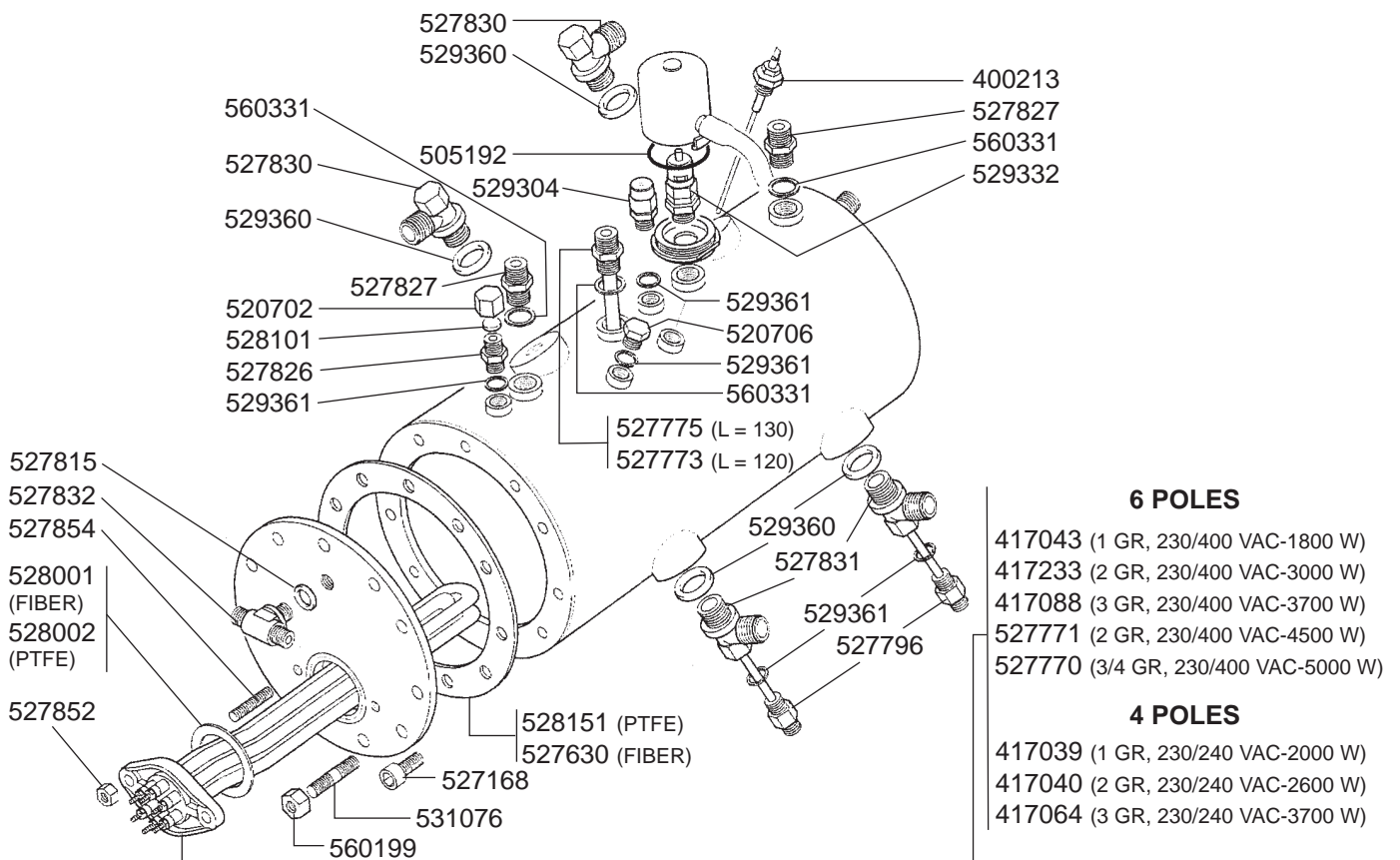
**VELA**



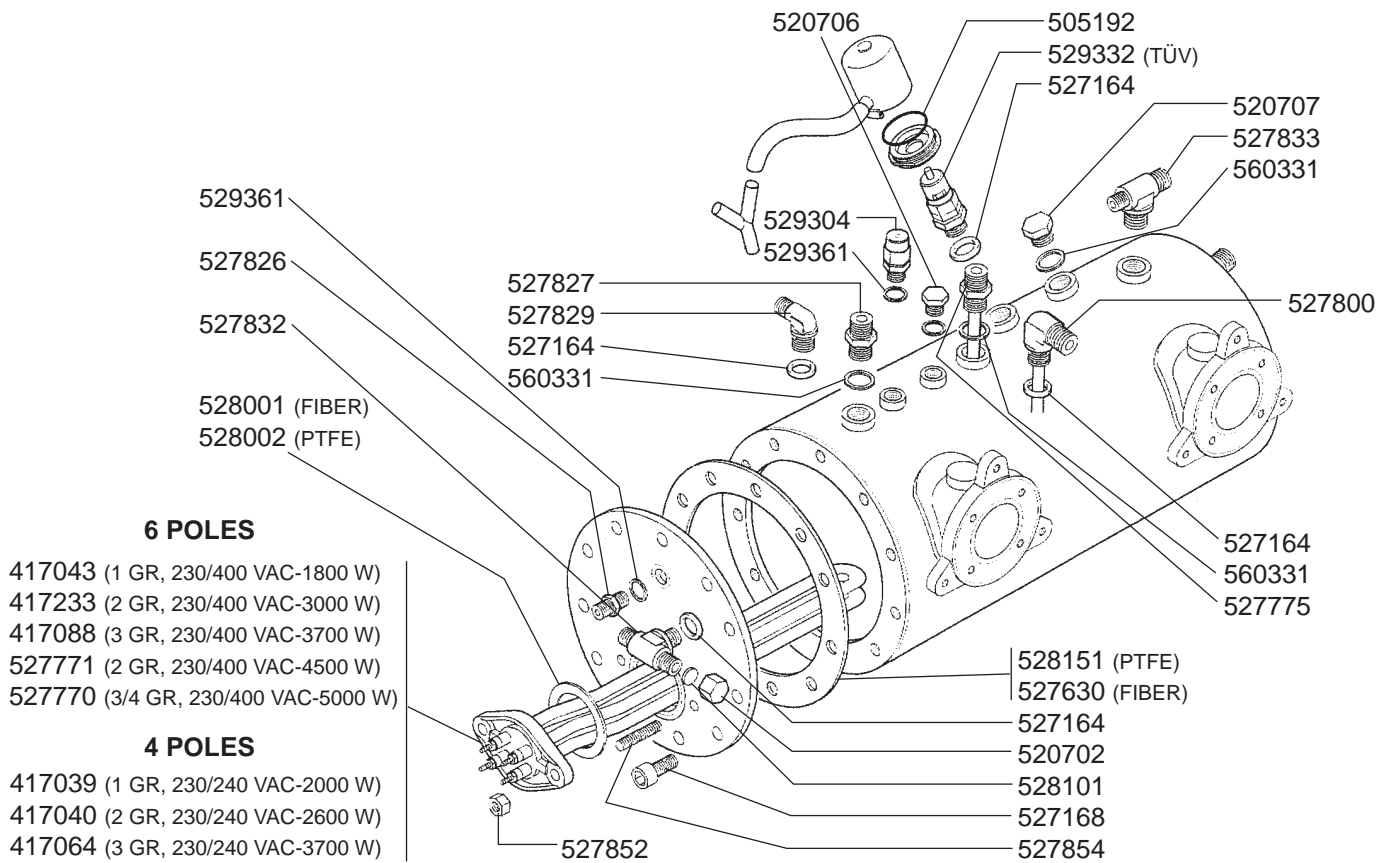
## 1 LEVEL INDICATOR/VALVES/DRIP TRAY



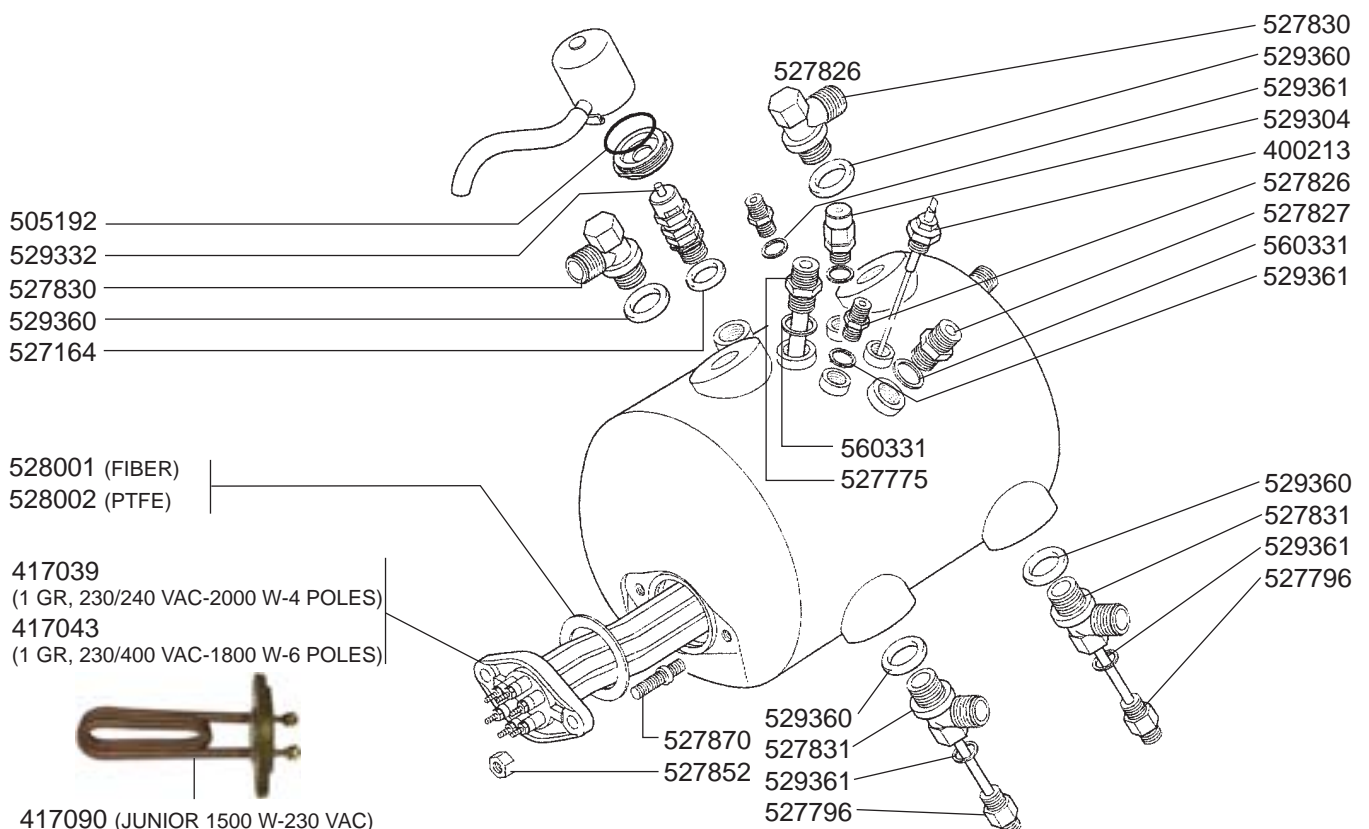
## BOILER VARIOUS EMA/EPU/EVD



## BOILER VARIOUS ALE

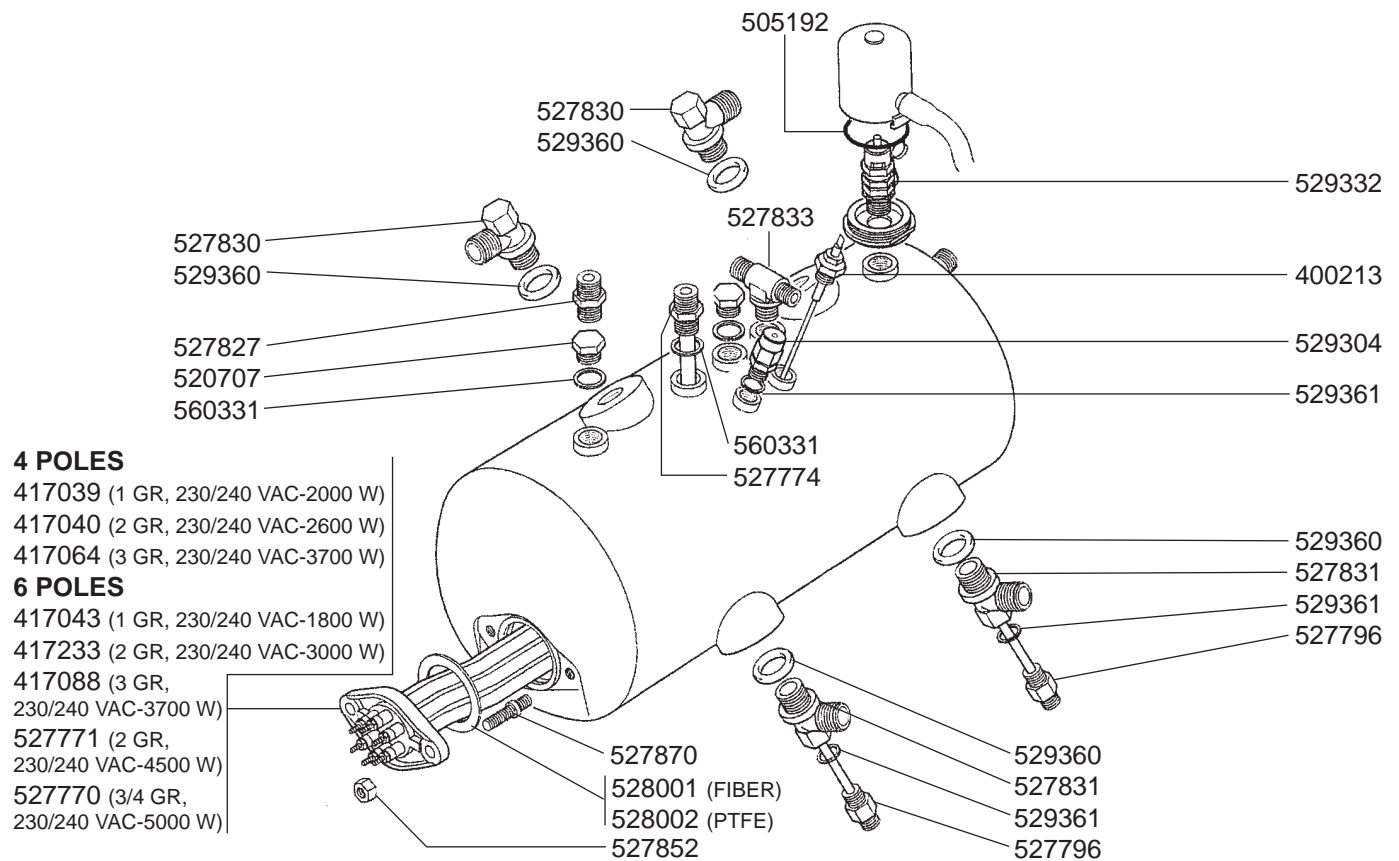


## BOILER VARIOUS COMPATTA

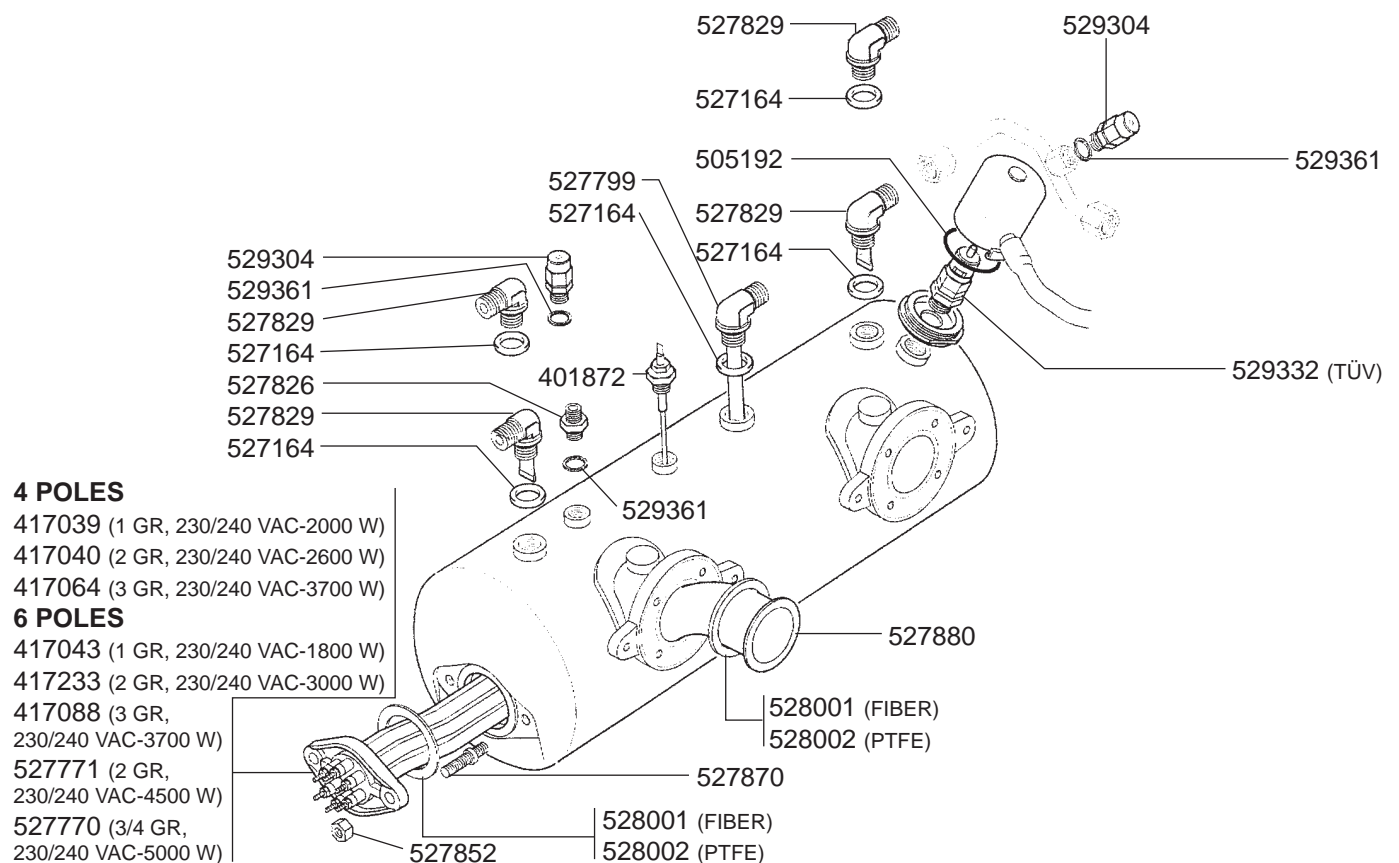


## 1 BOILER VARIOUS ORION

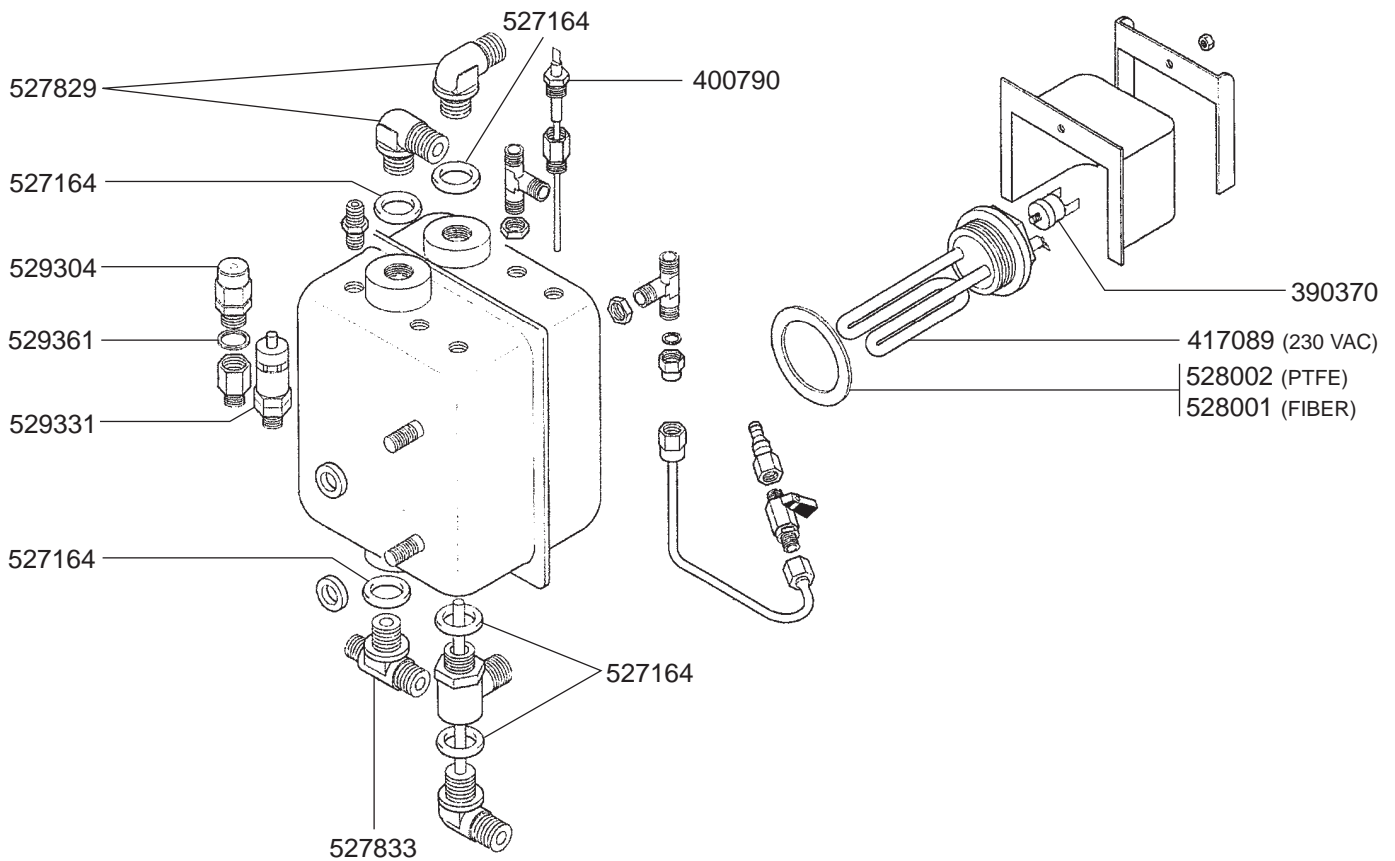
ESPRESSO MACHINES



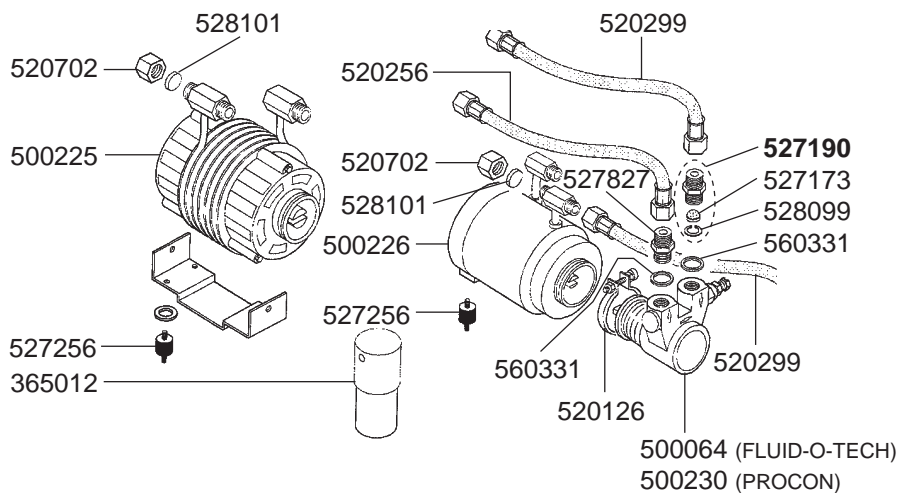
## BOILER VARIOUS VENUS



## BOILER VARIOUS MININOVA

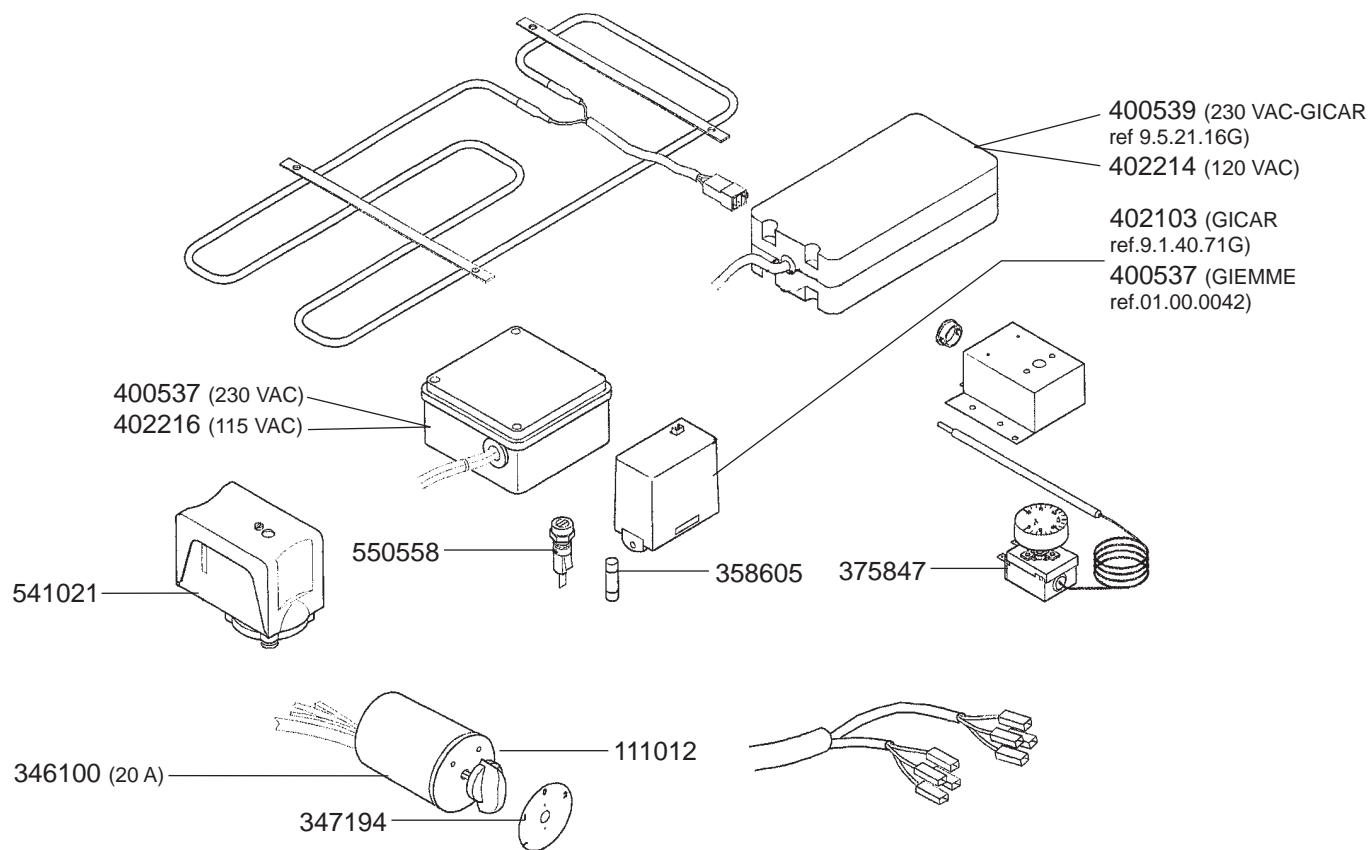


## MOTOR/MANOMETER/VARIOUS

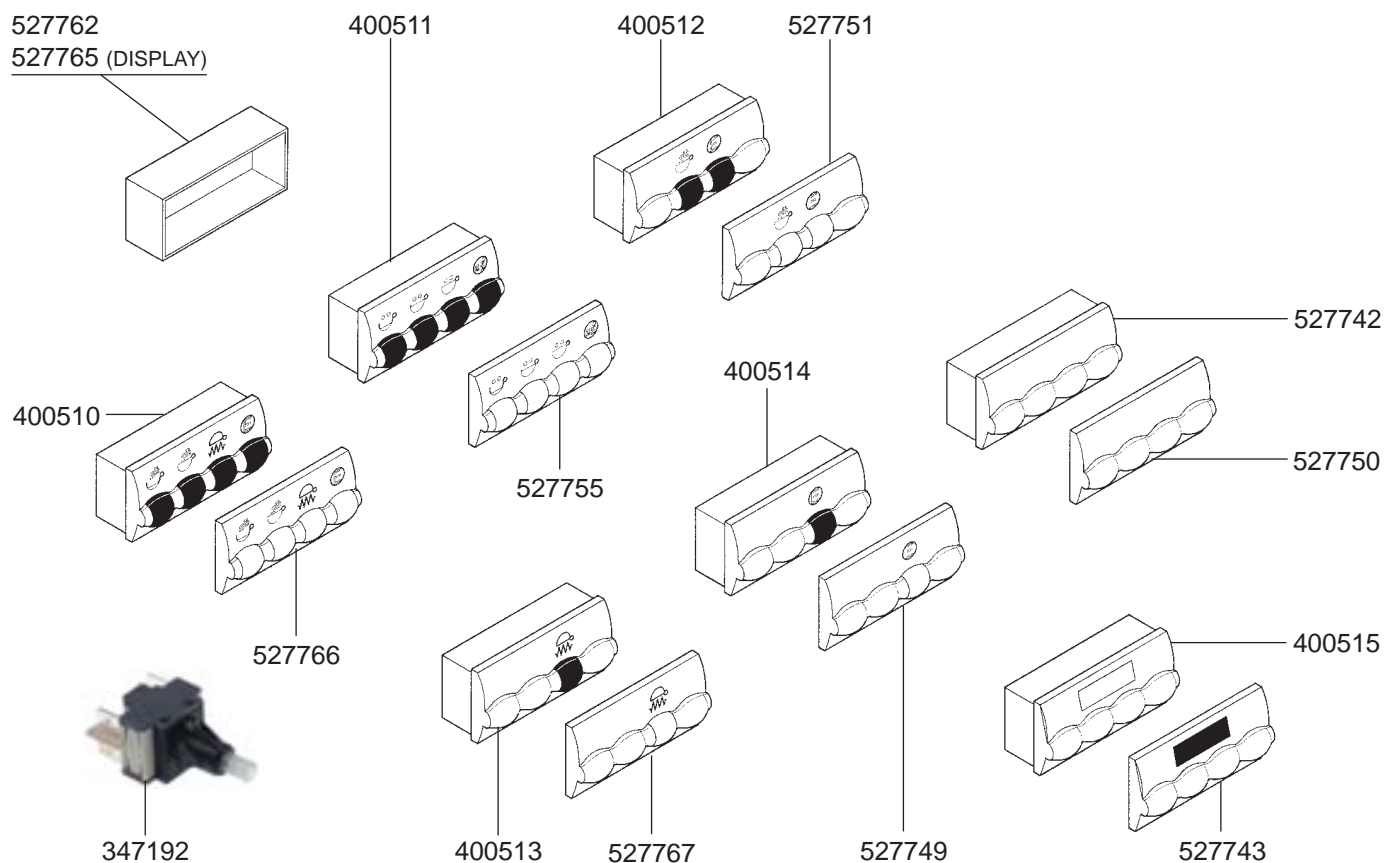




ELECTRICAL COMPONENTS VENUS/POLARIS

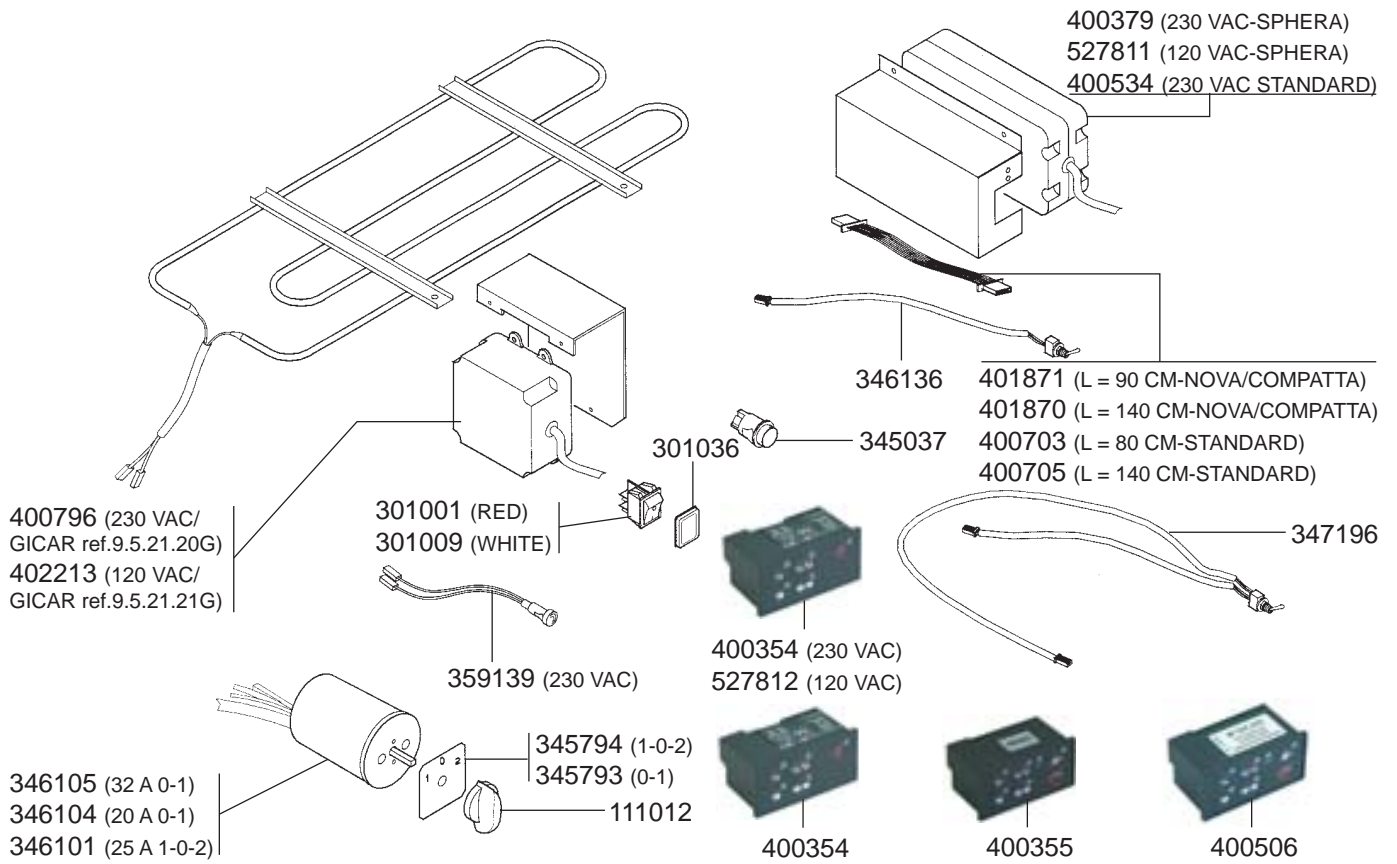


ELECTRICAL COMPONENTS SPHERA

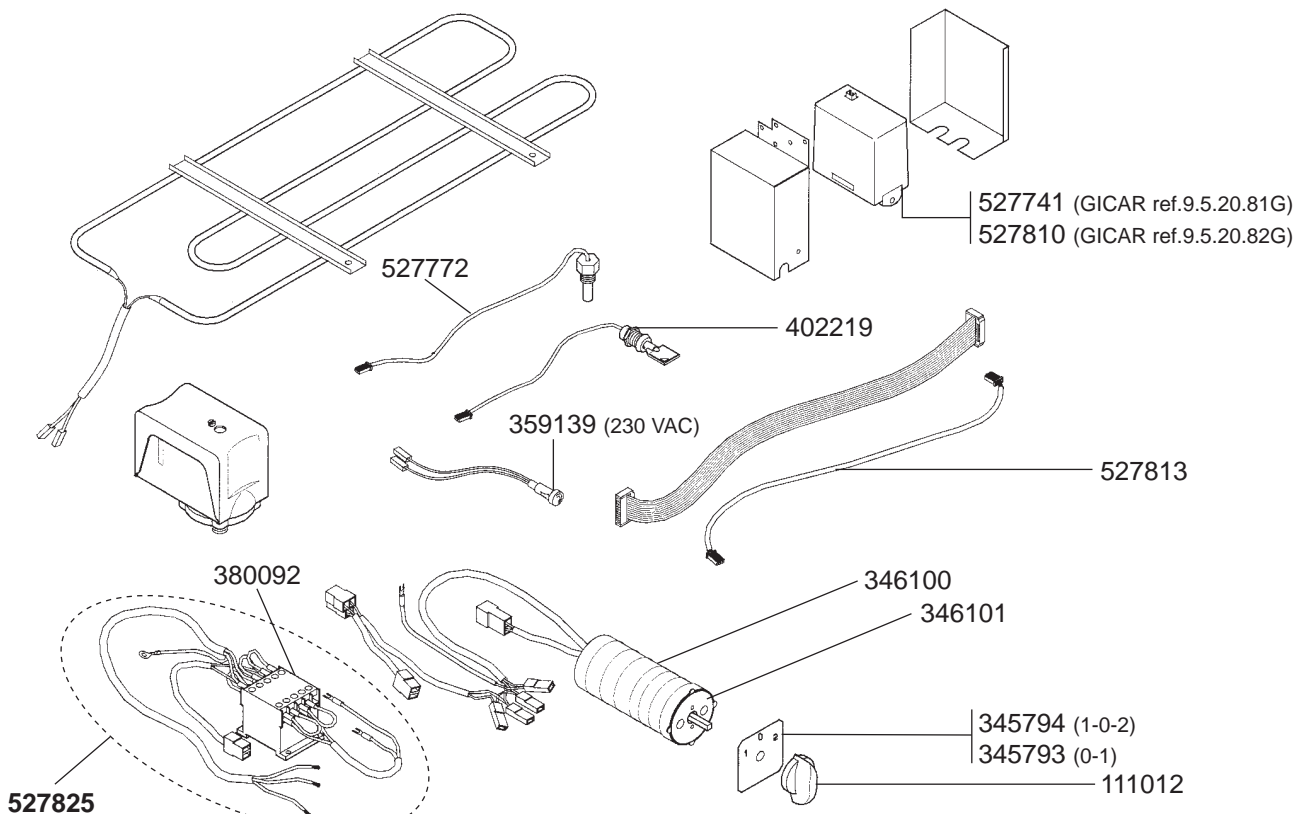




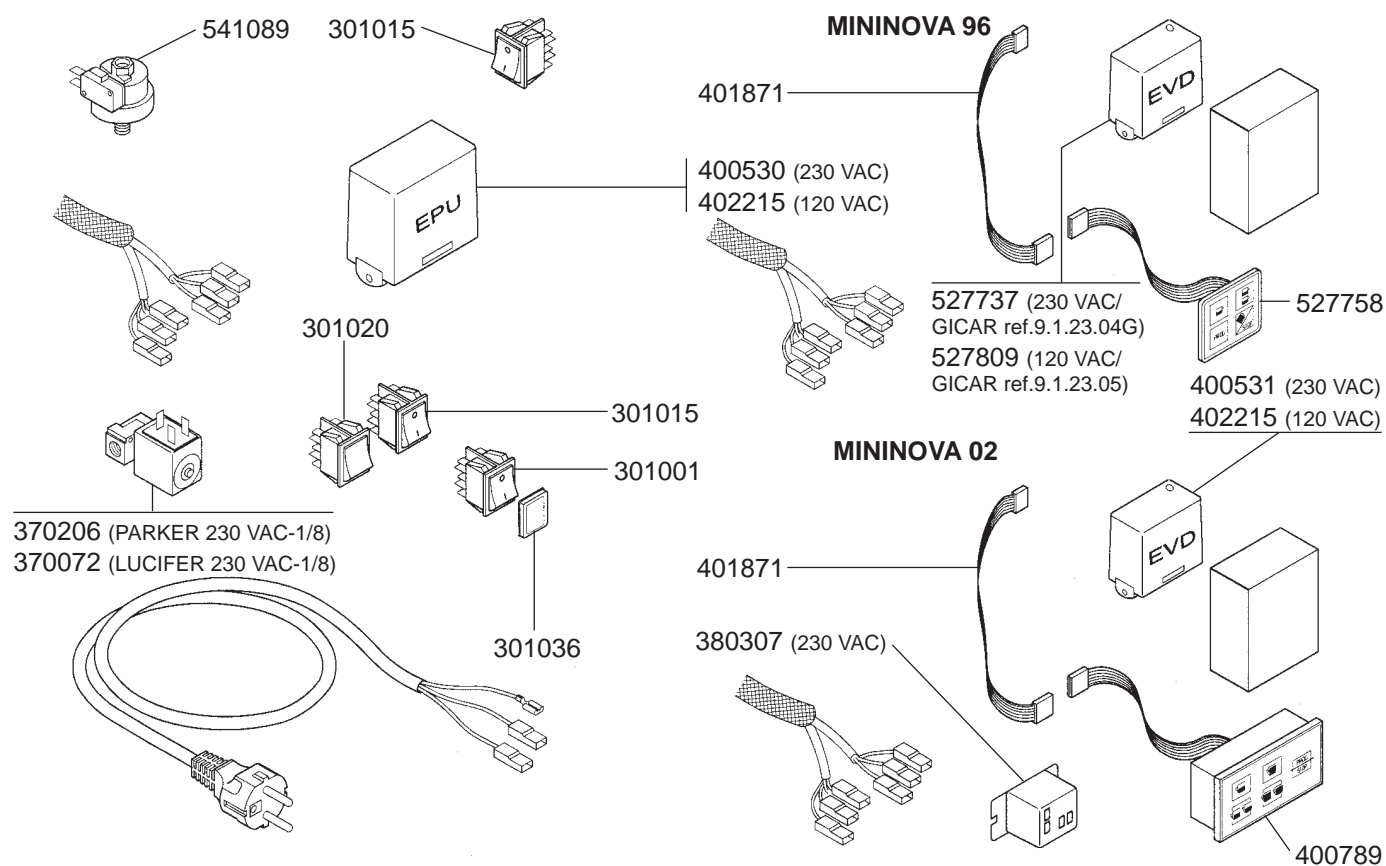
## ELECTRICAL COMPONENTS EVD/EVD TH



## ELECTRICAL COMPONENTS EVD DISPLAY



## ELECTRICAL COMPONENTS MINI NOVA



## ELECTRICAL COMPONENTS VARIOUS

